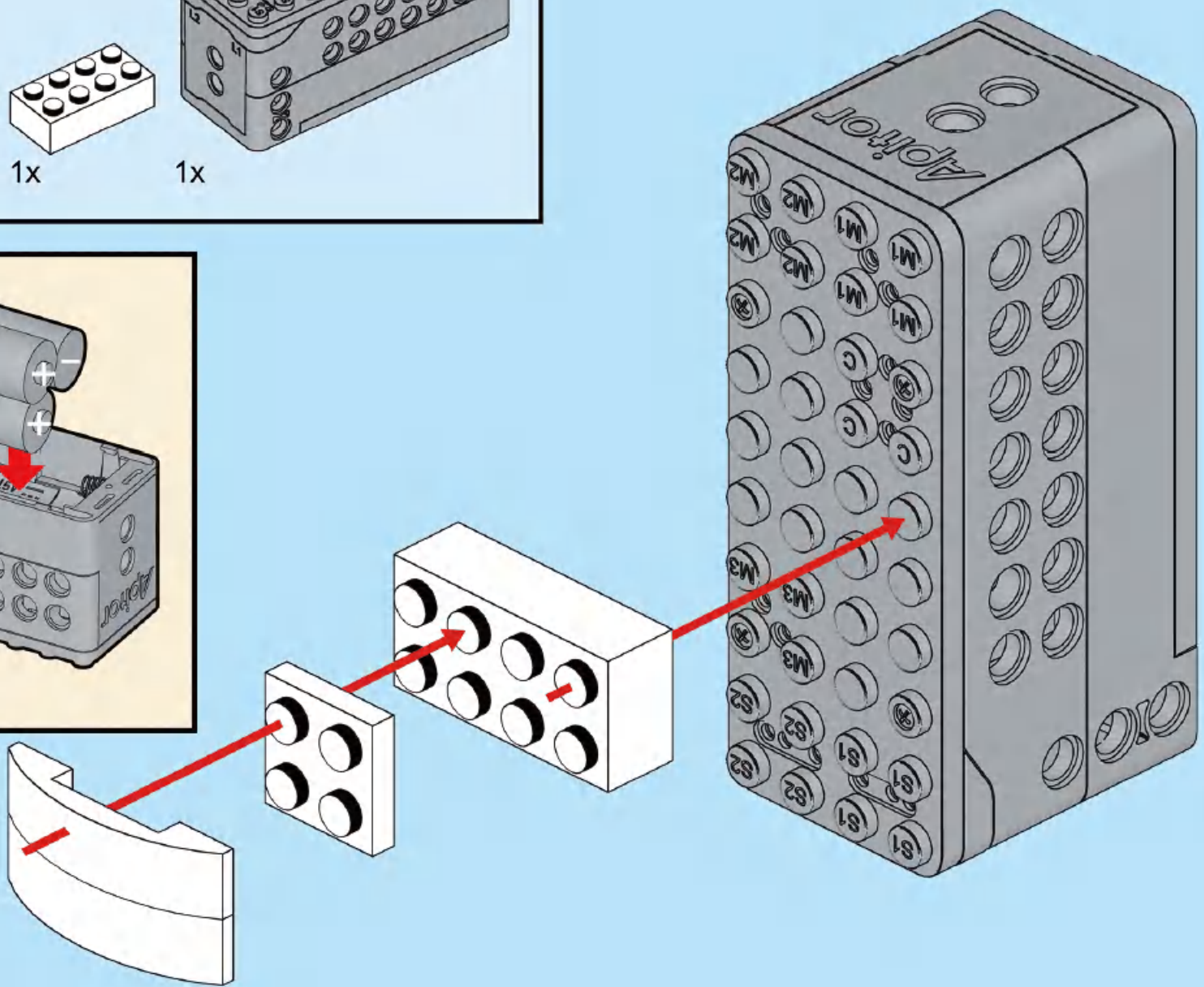
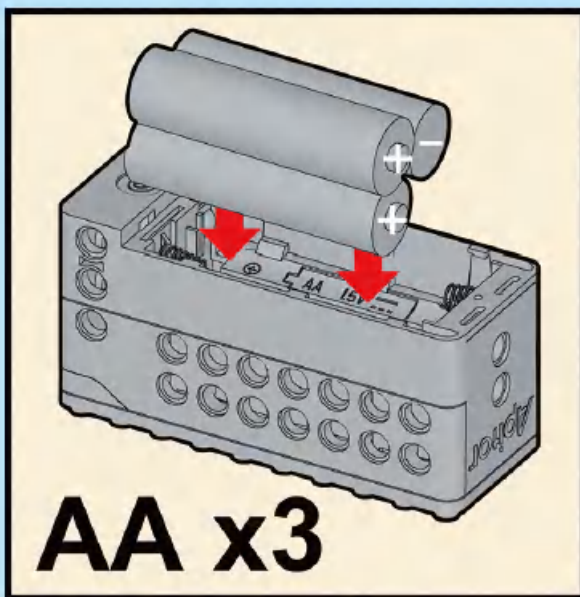
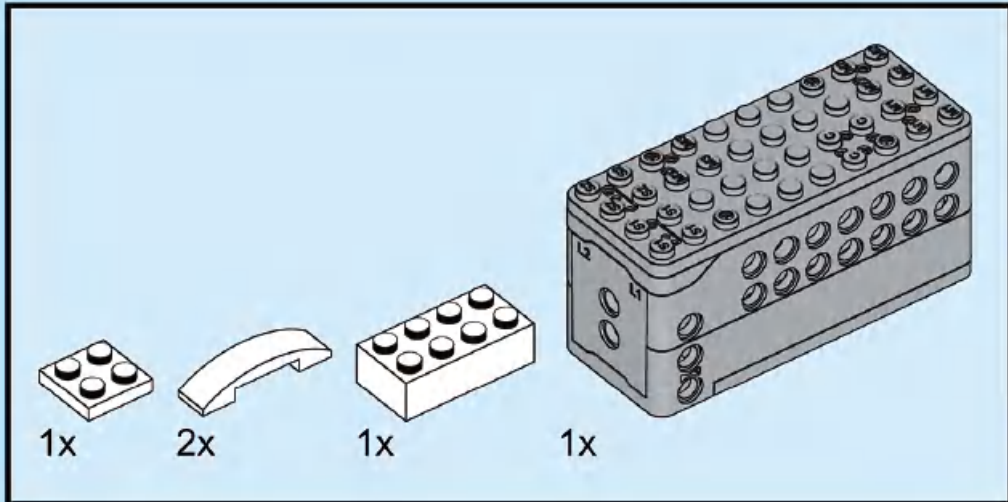


0

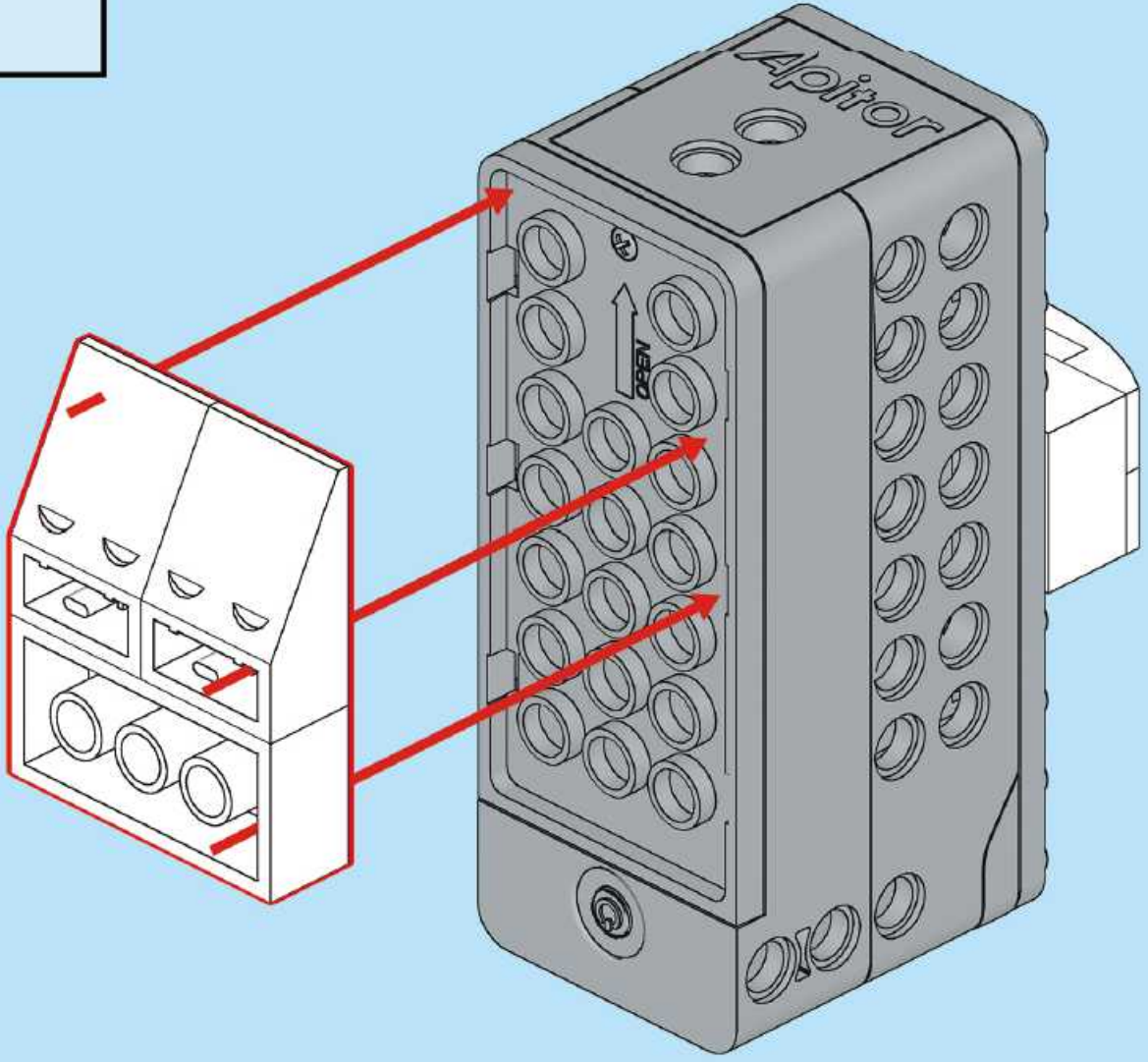
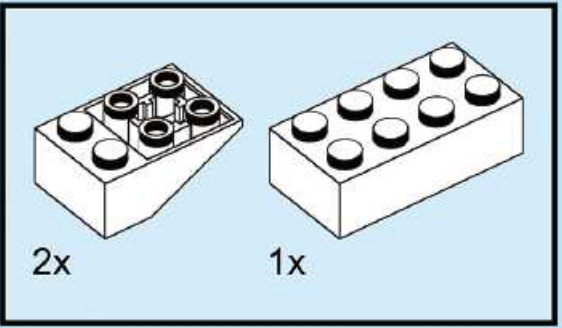


AA x3

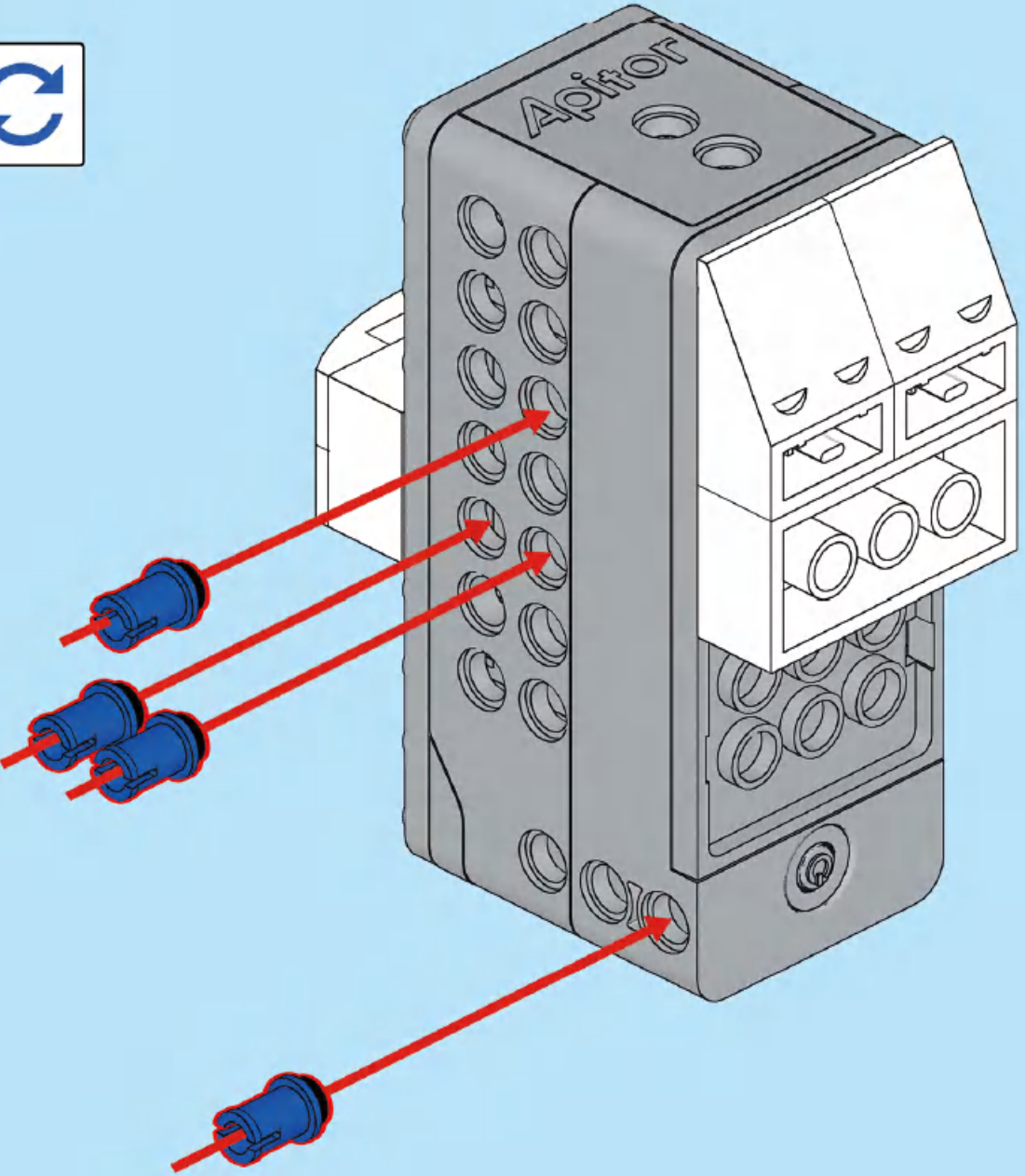
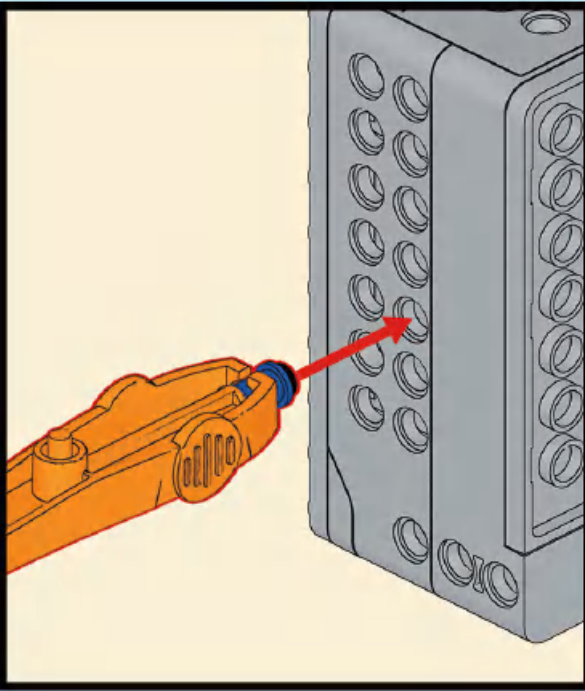
1



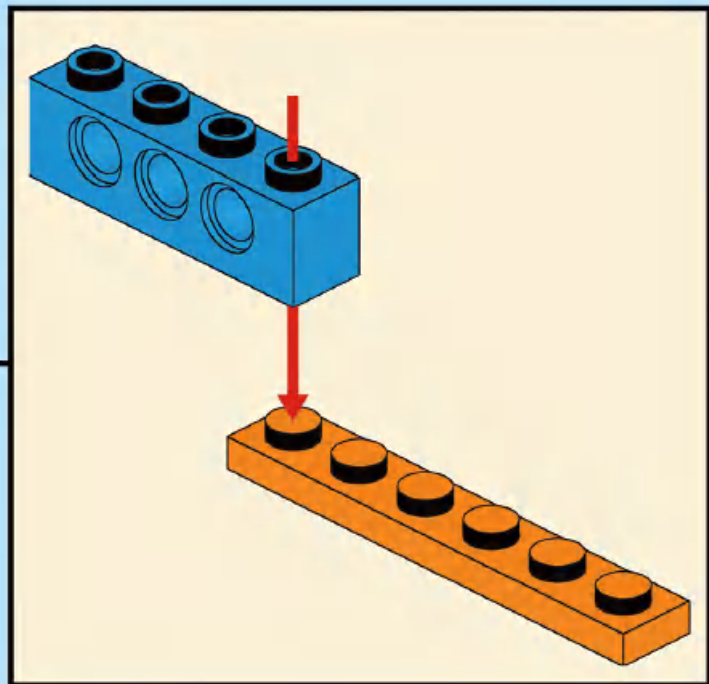
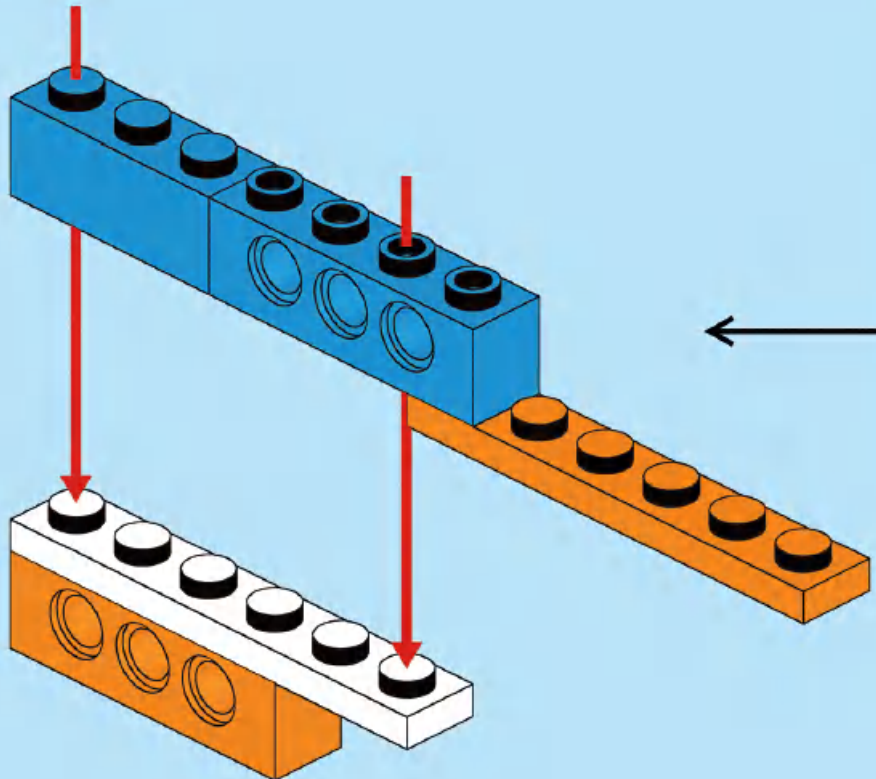
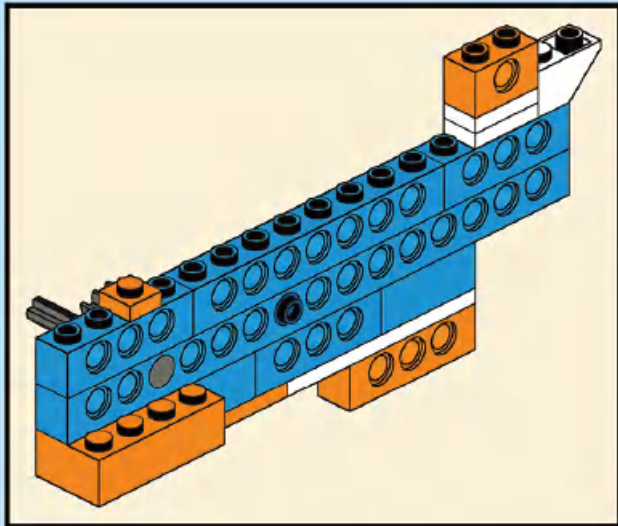
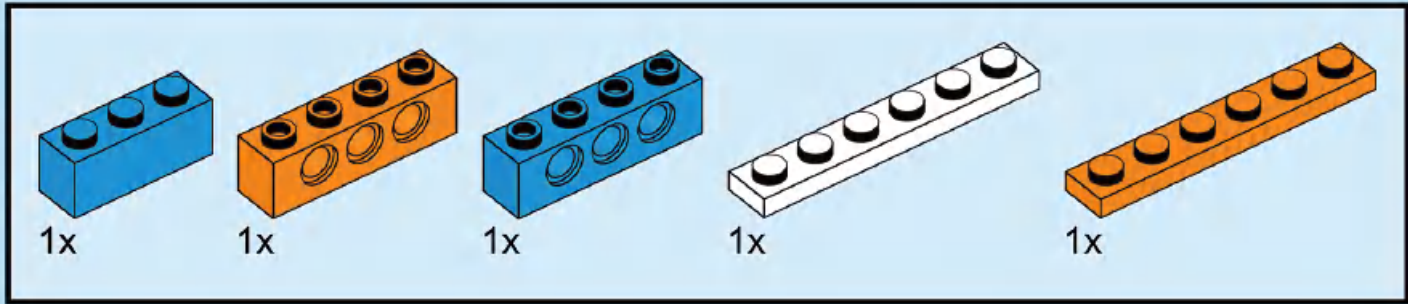
2



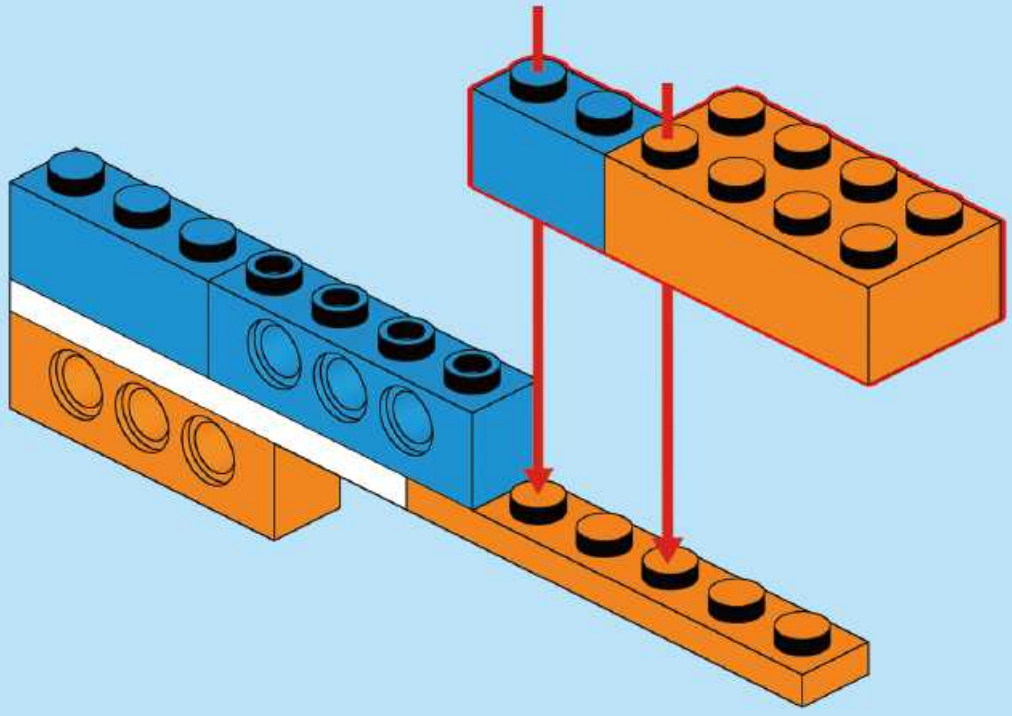
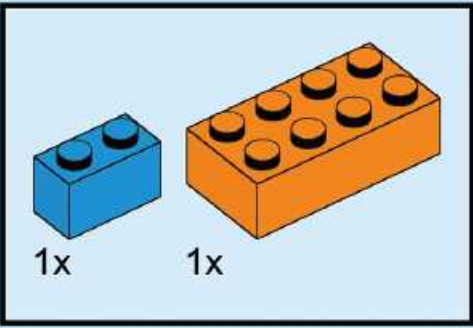
3



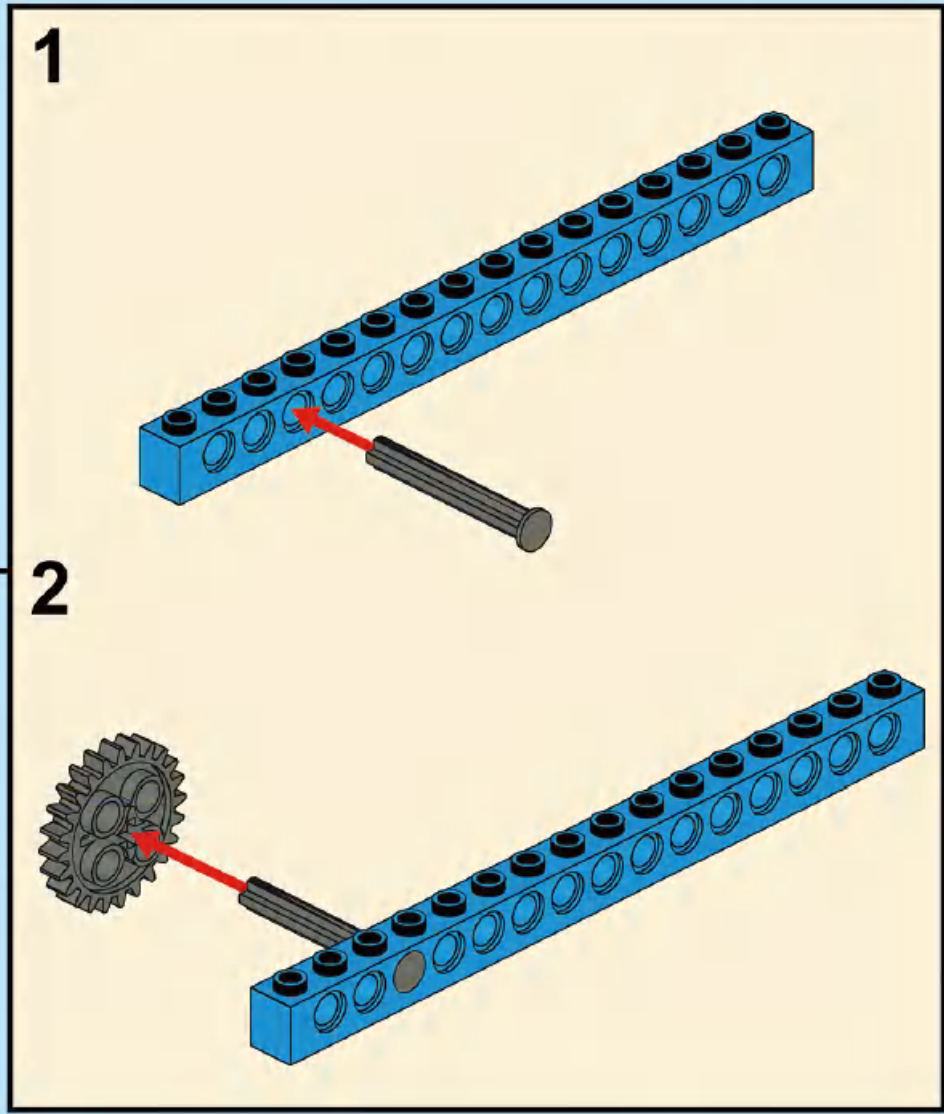
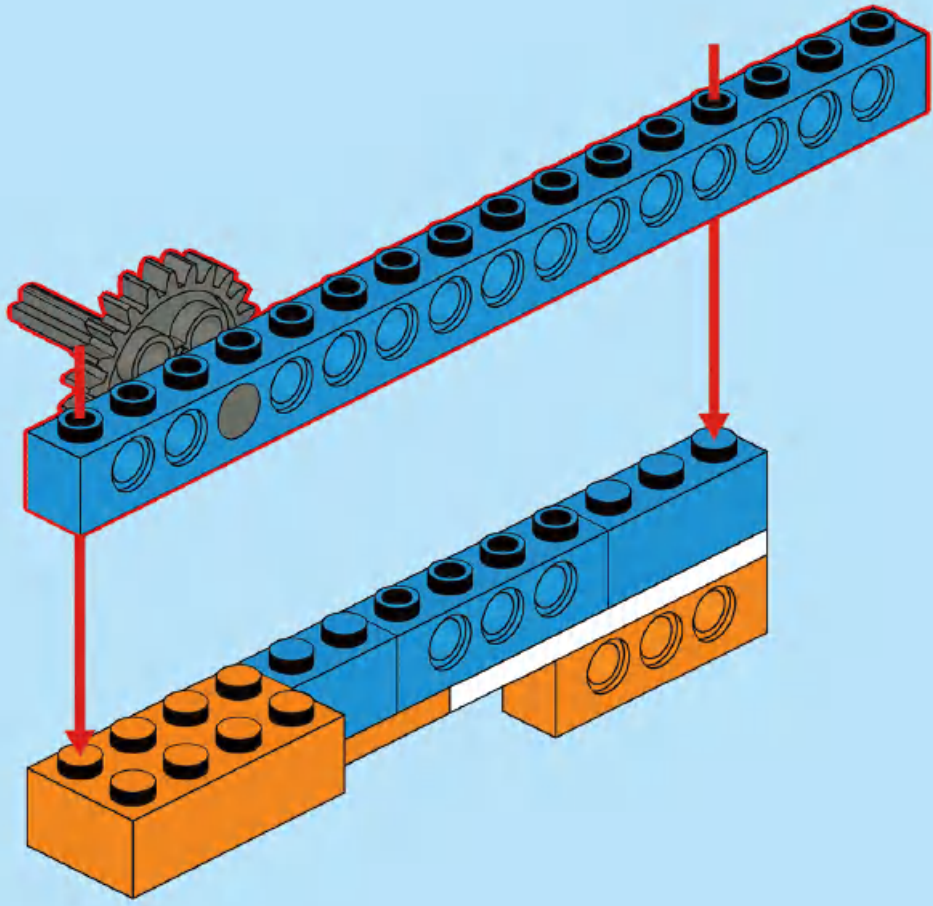
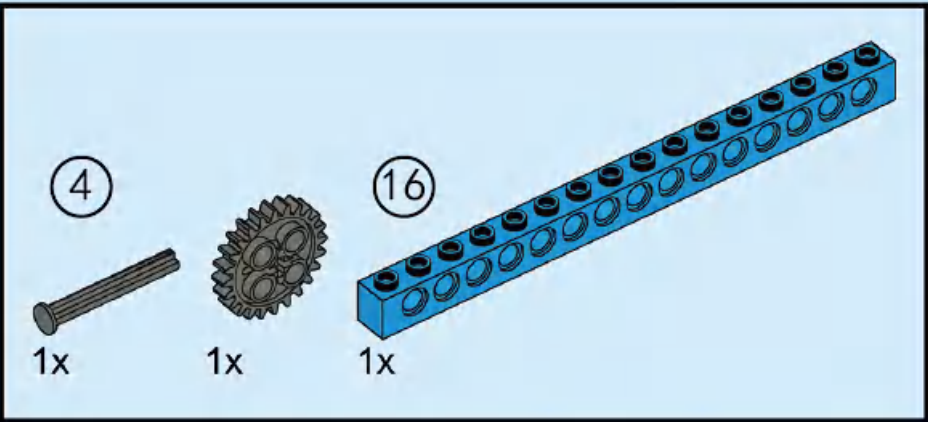
4



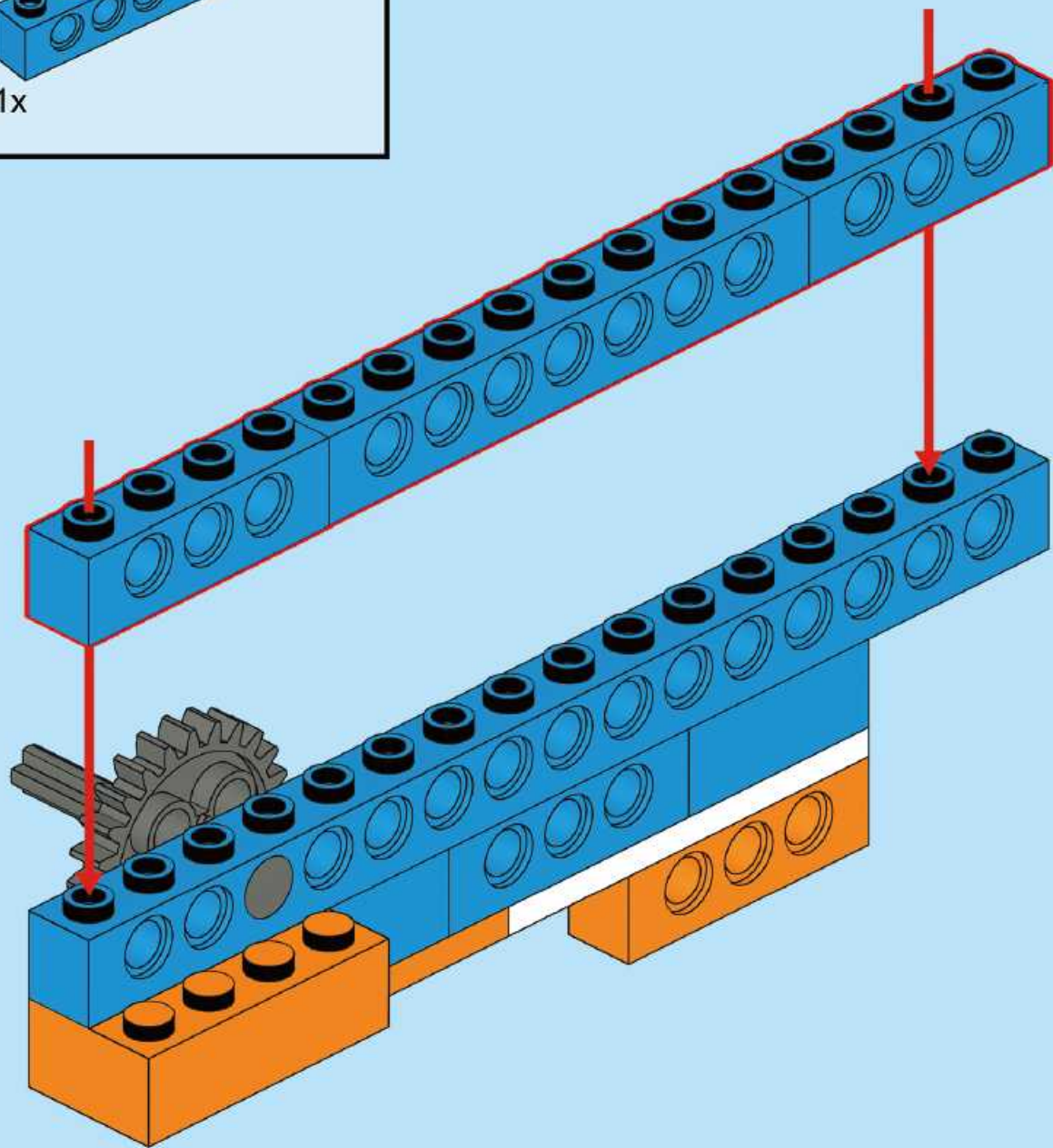
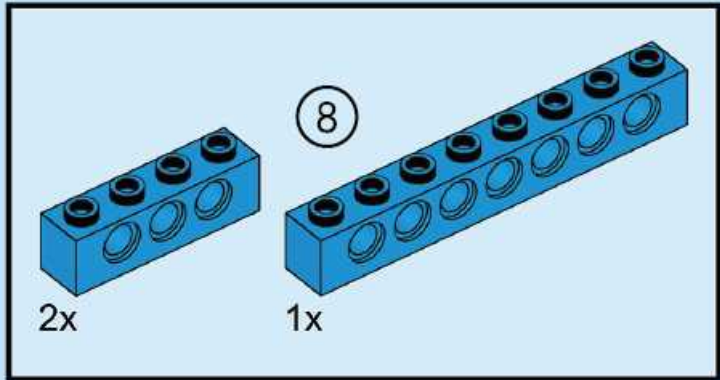
5



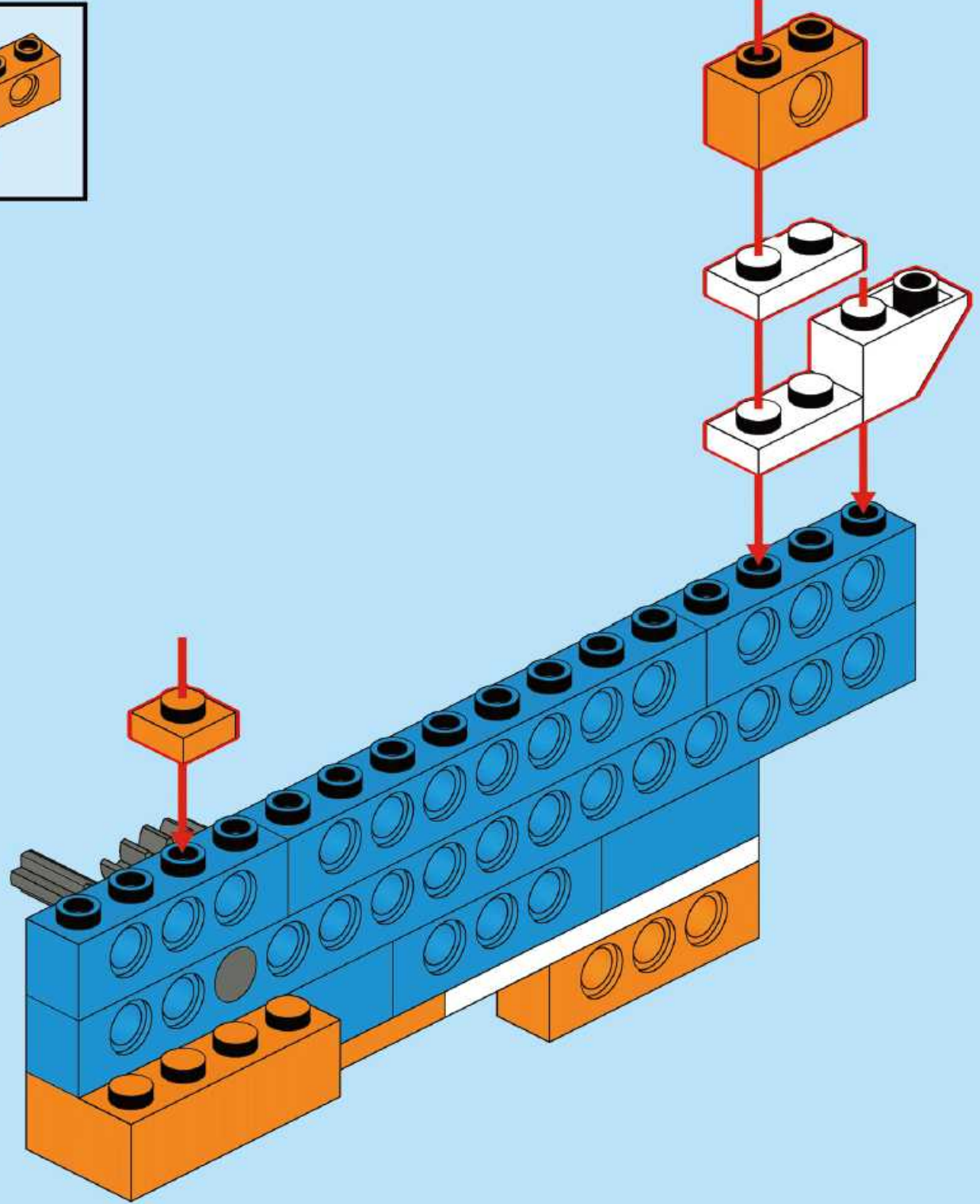
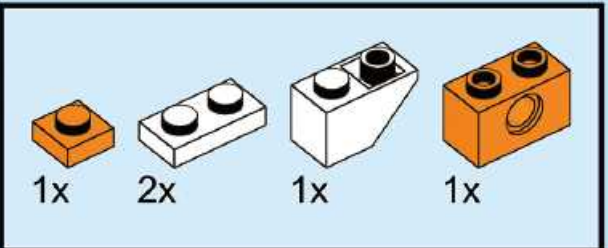
6



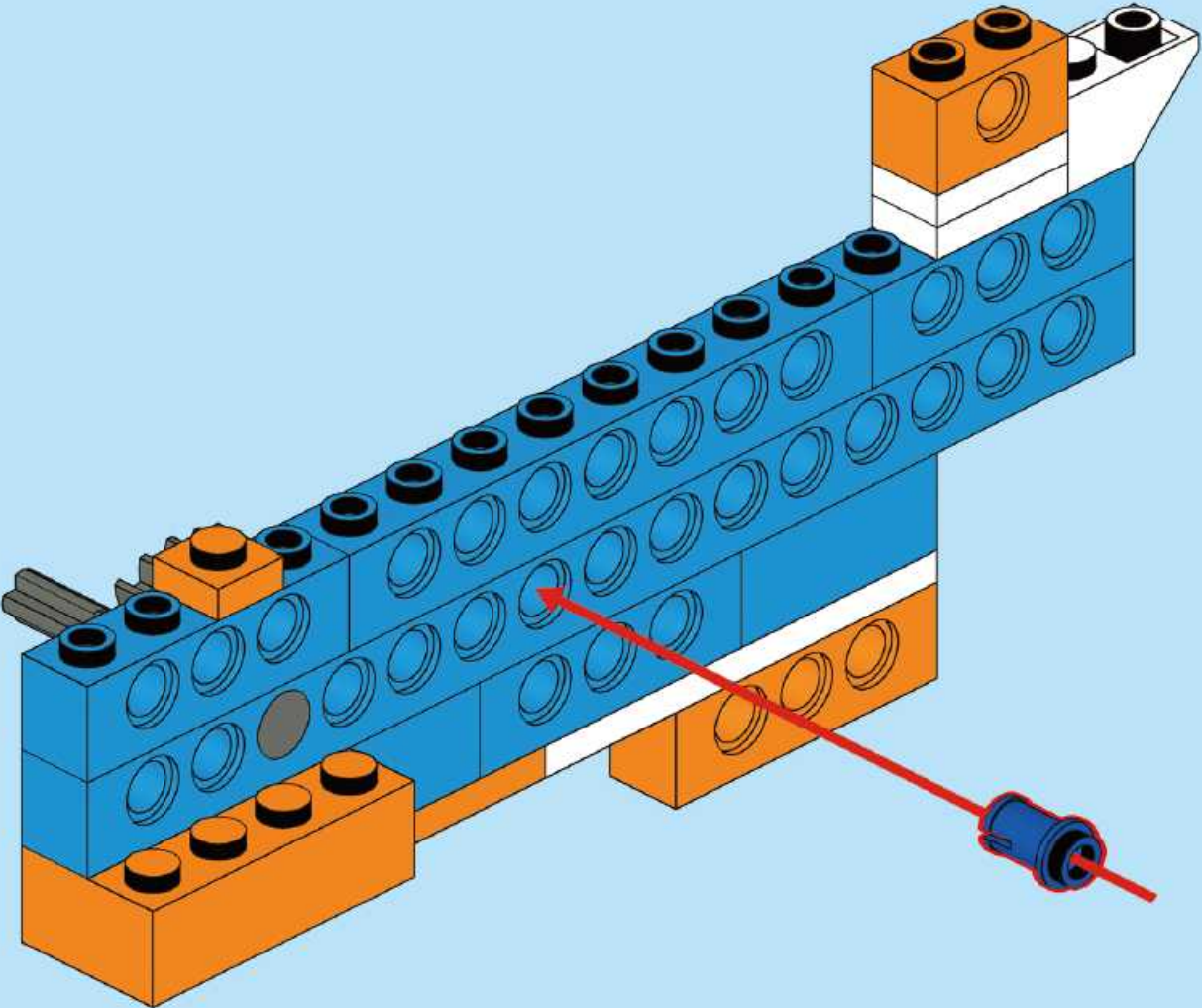
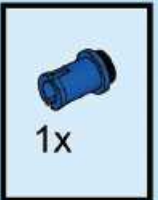
7



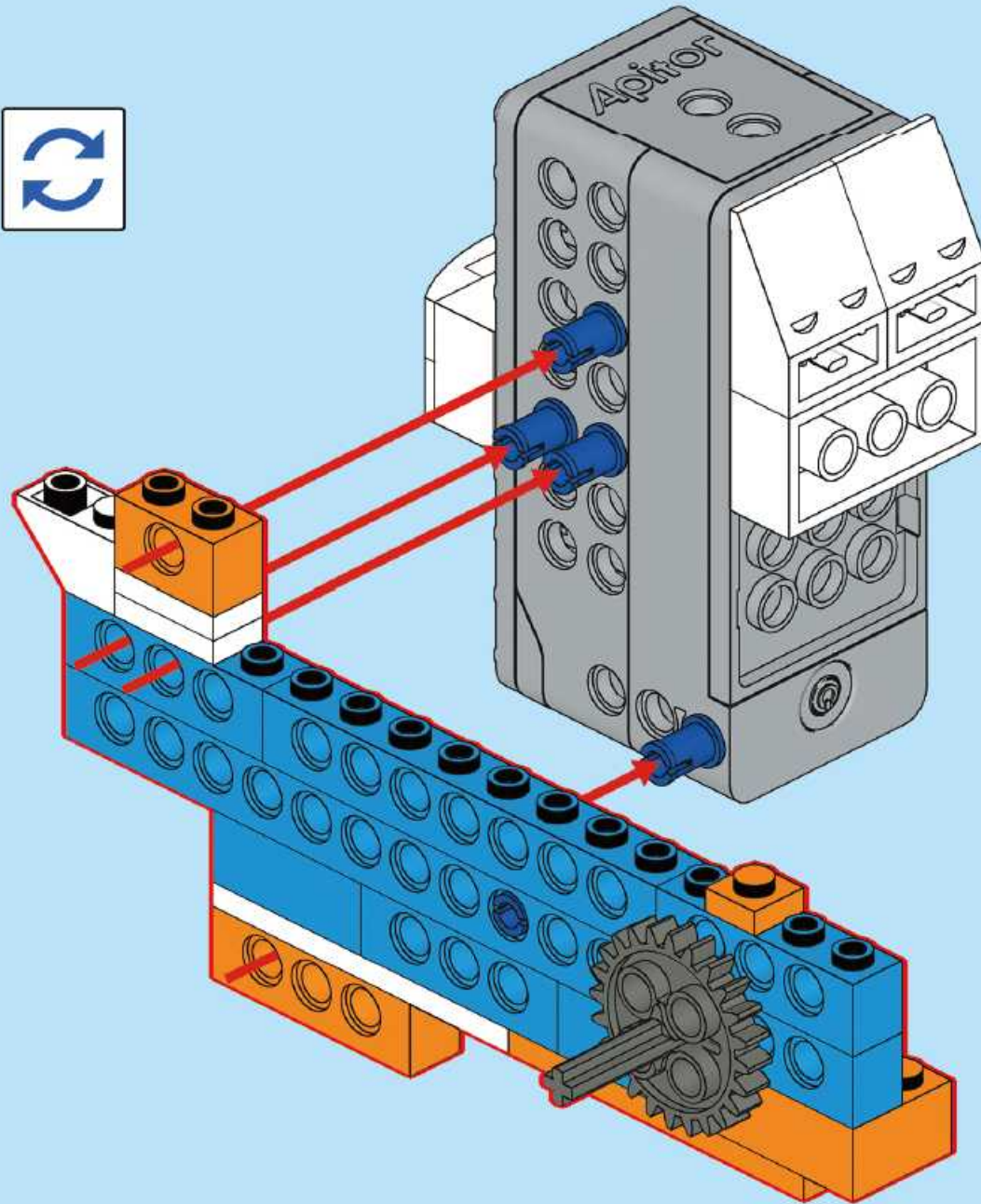
8



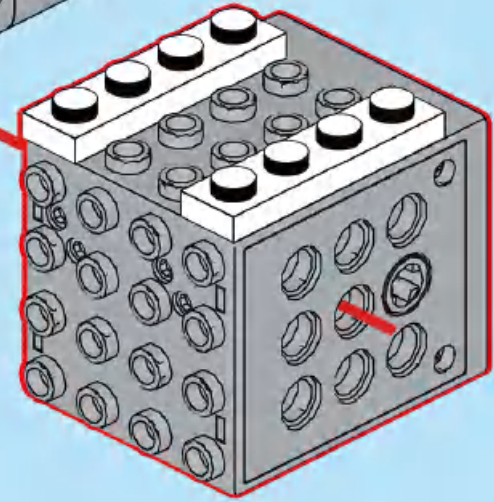
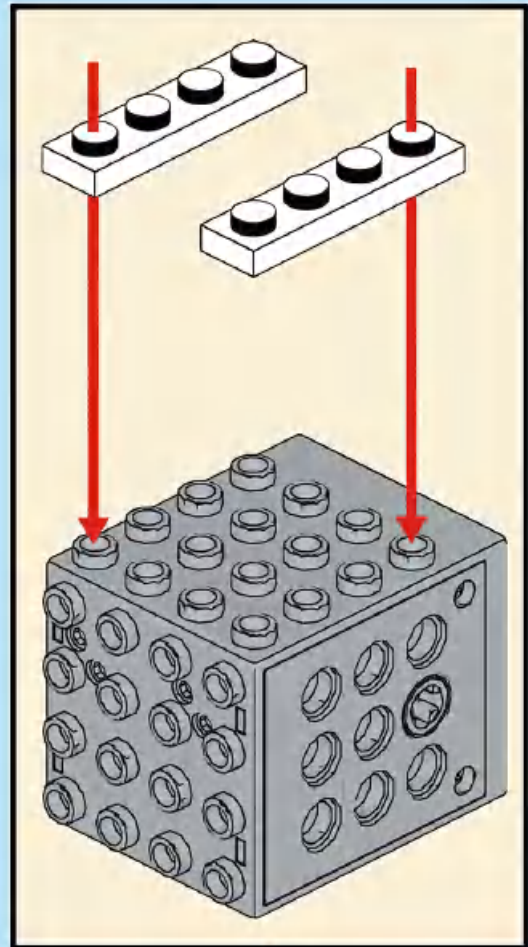
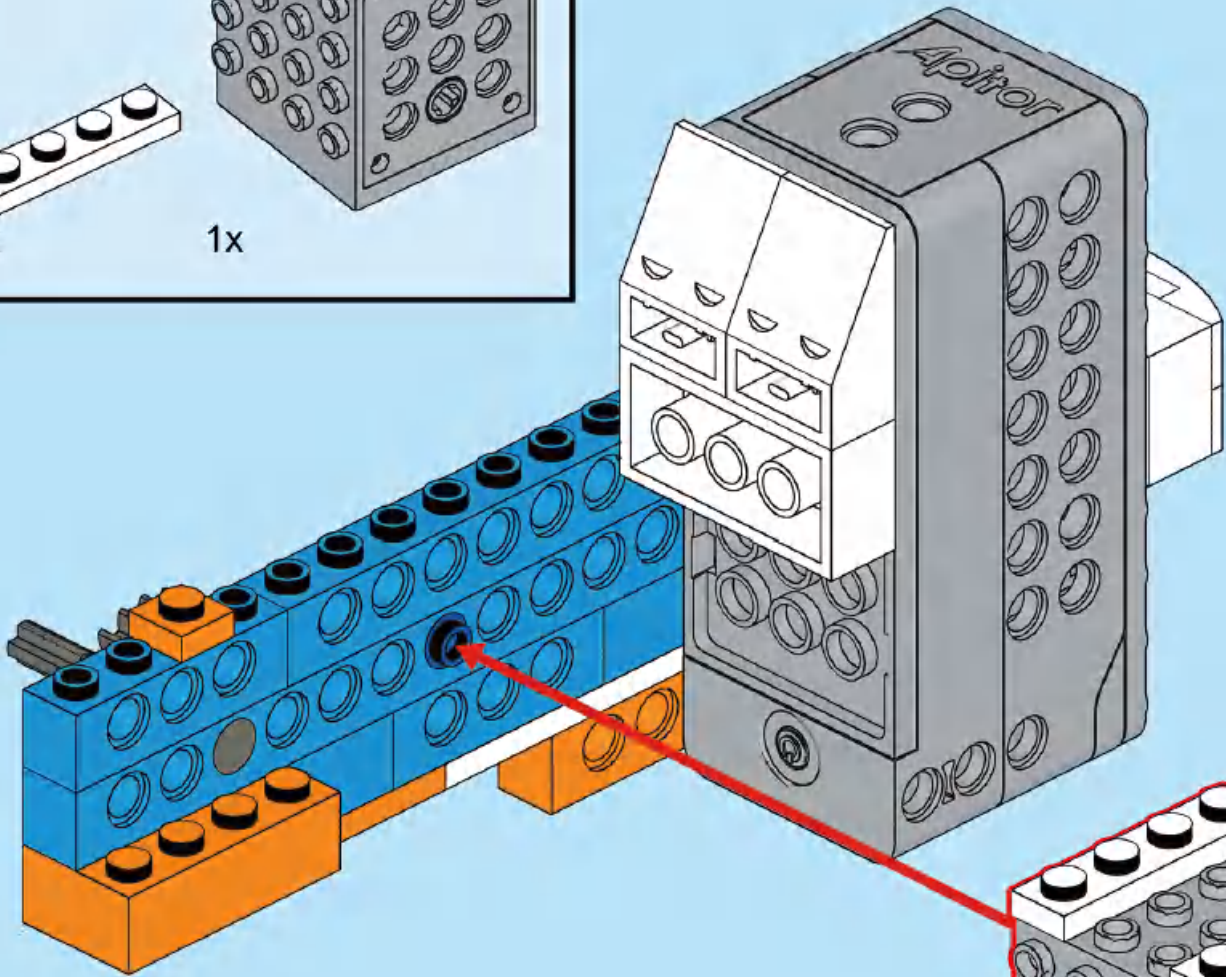
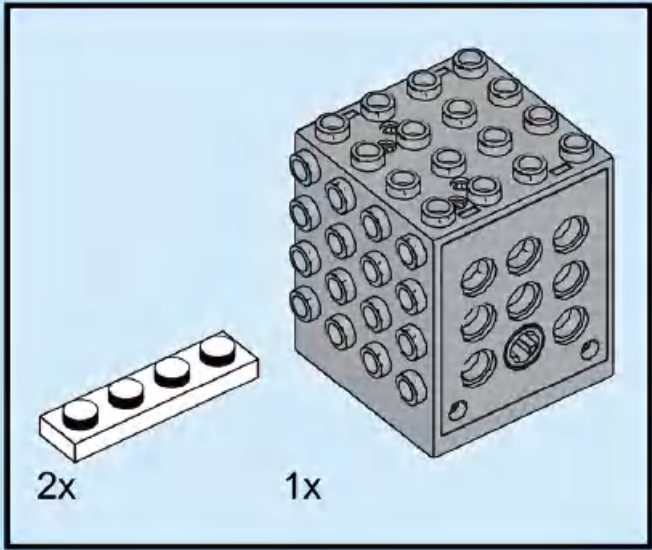
9



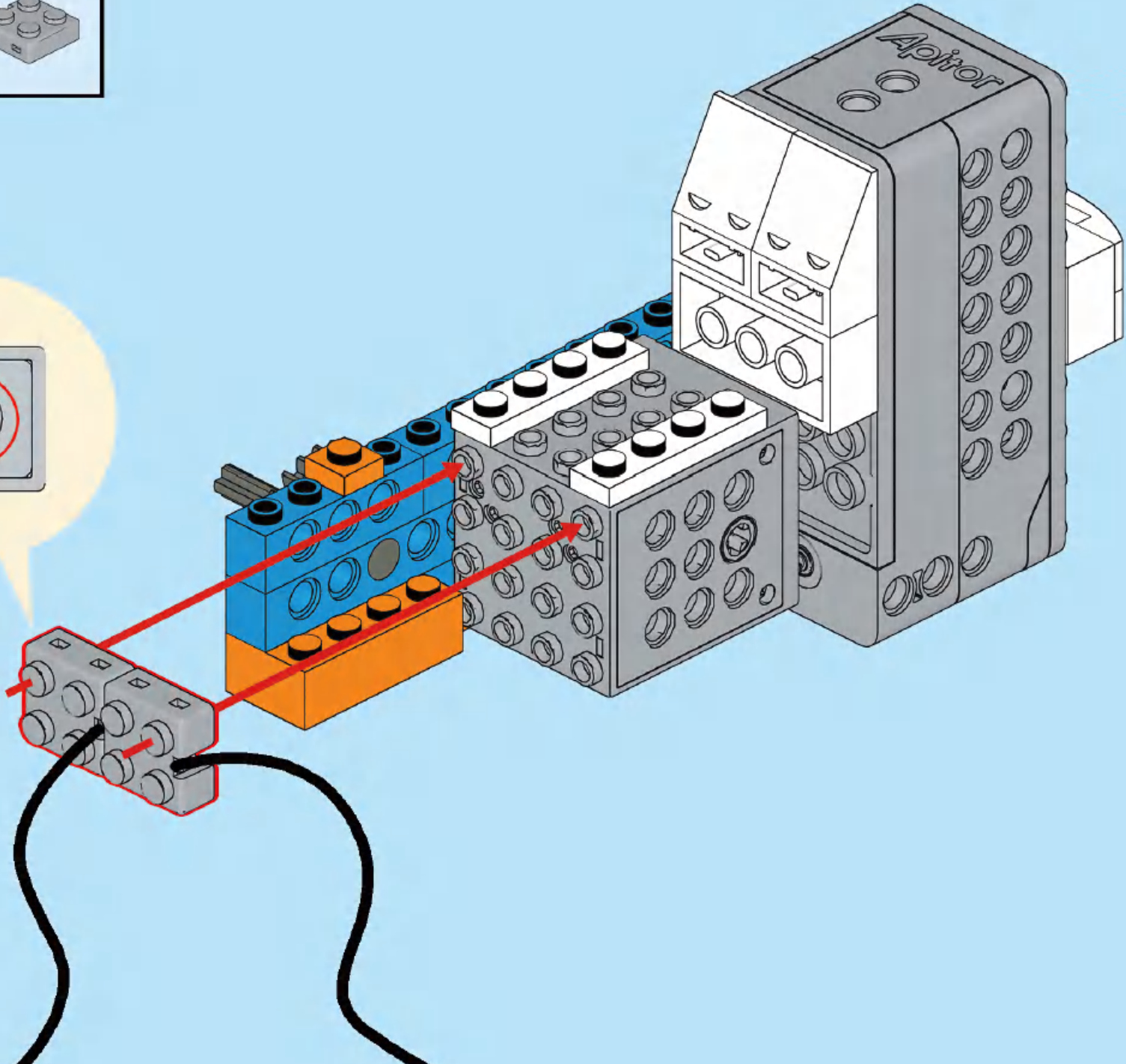
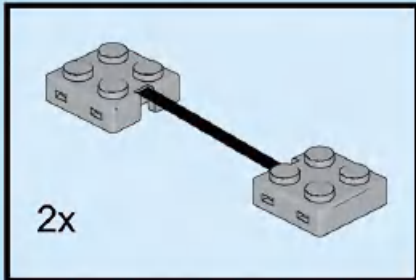
10

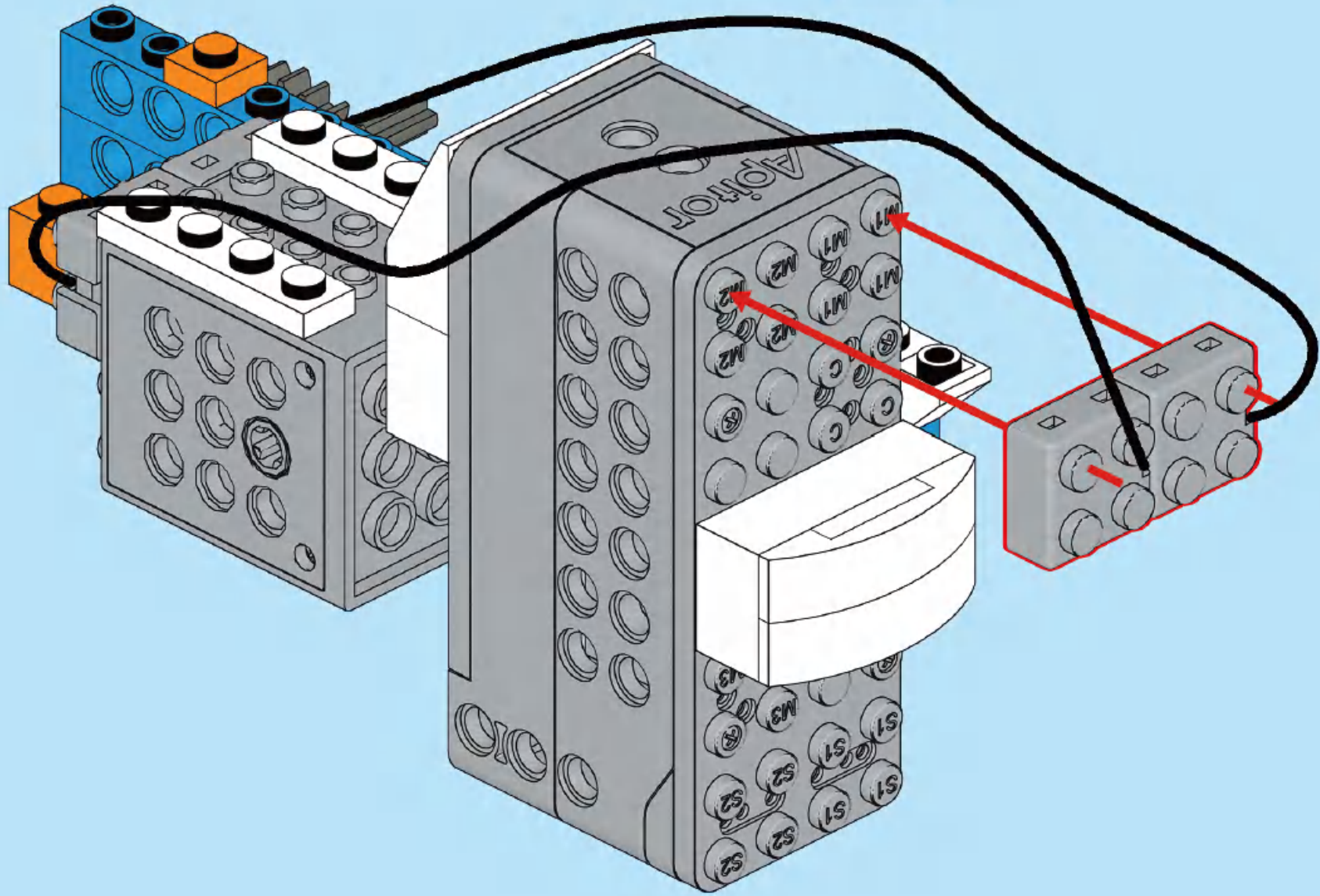


11

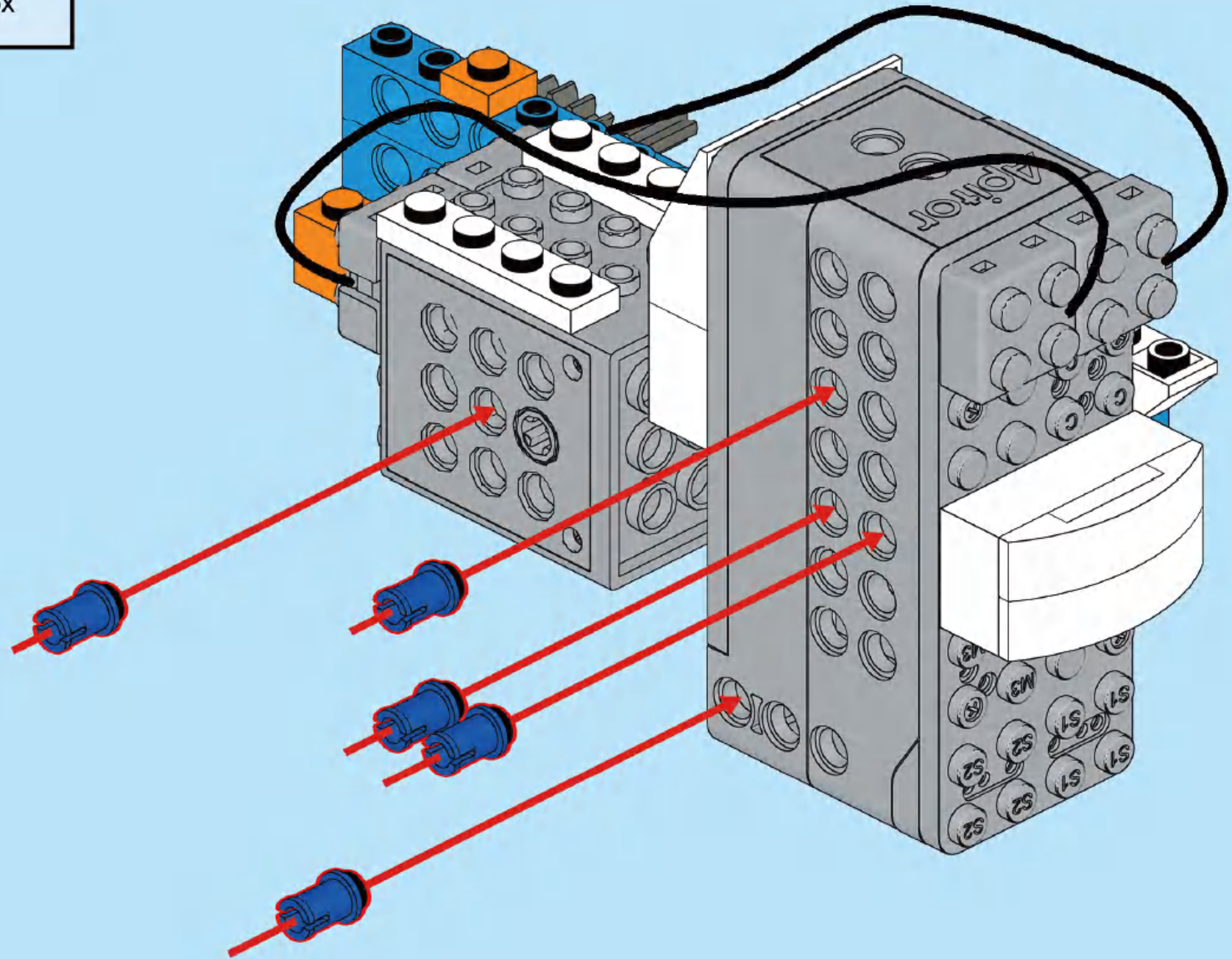


12

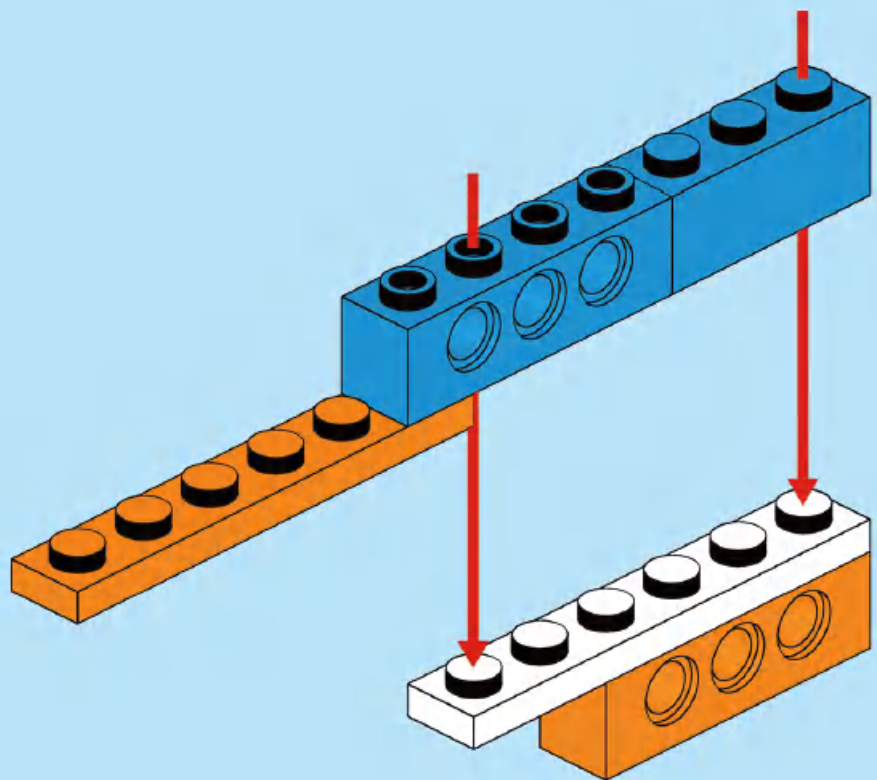
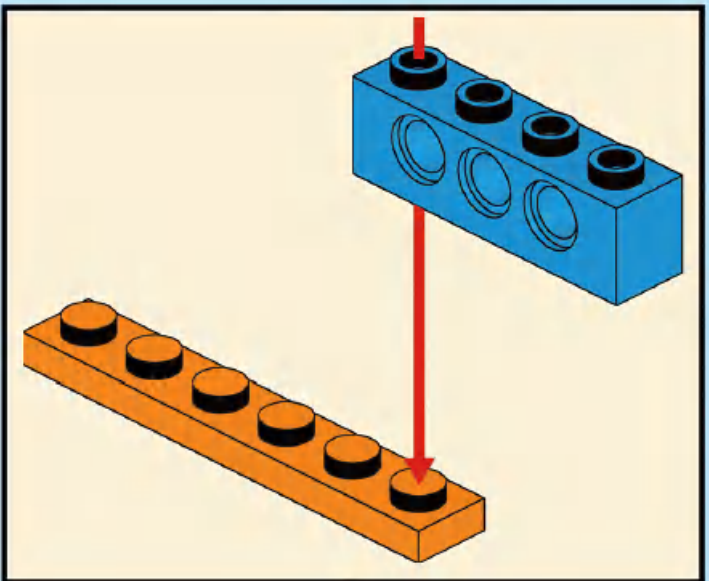
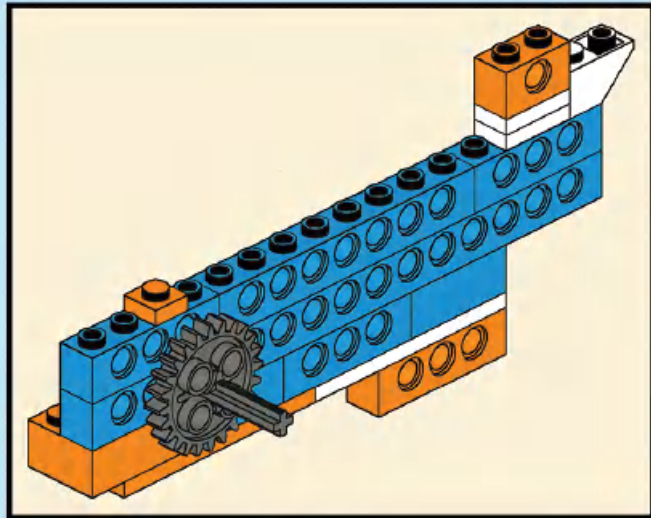
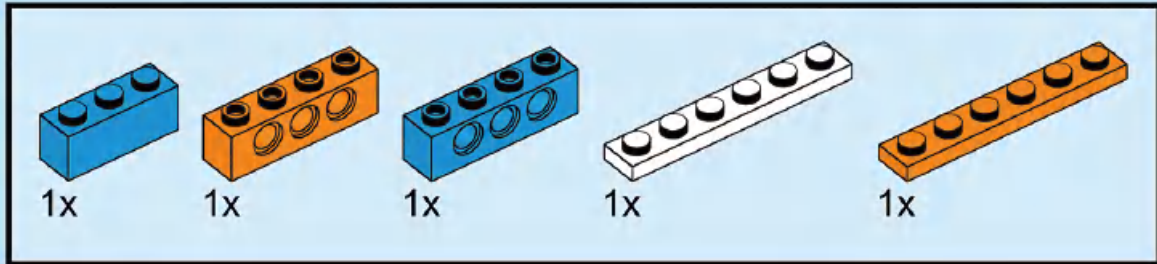




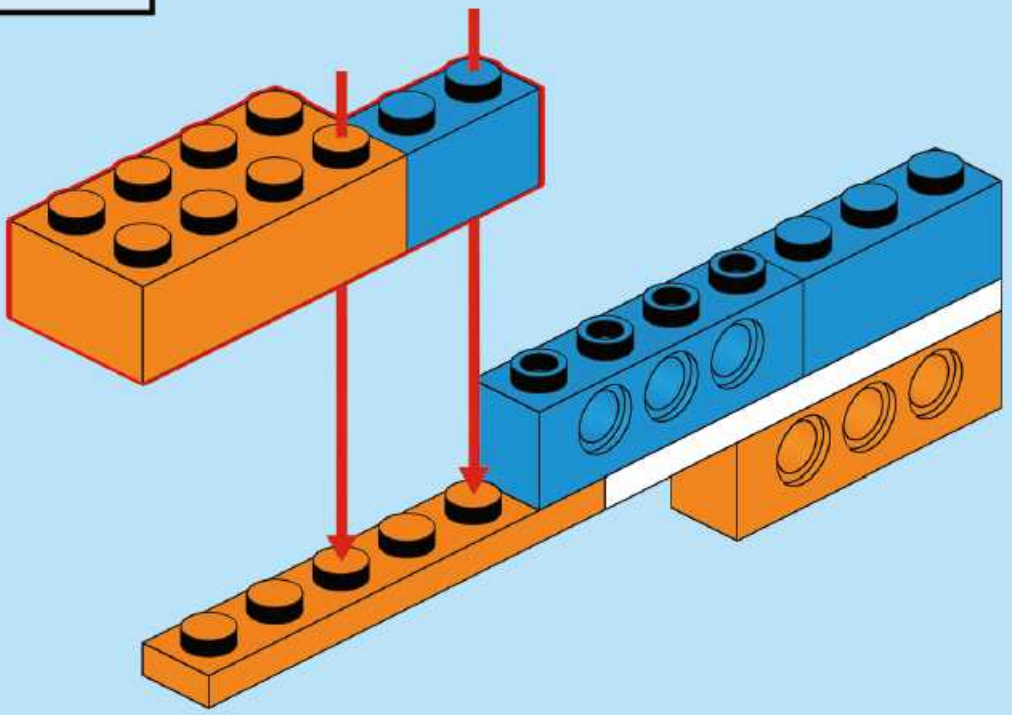
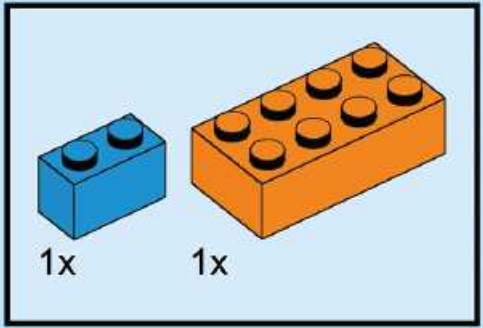
14



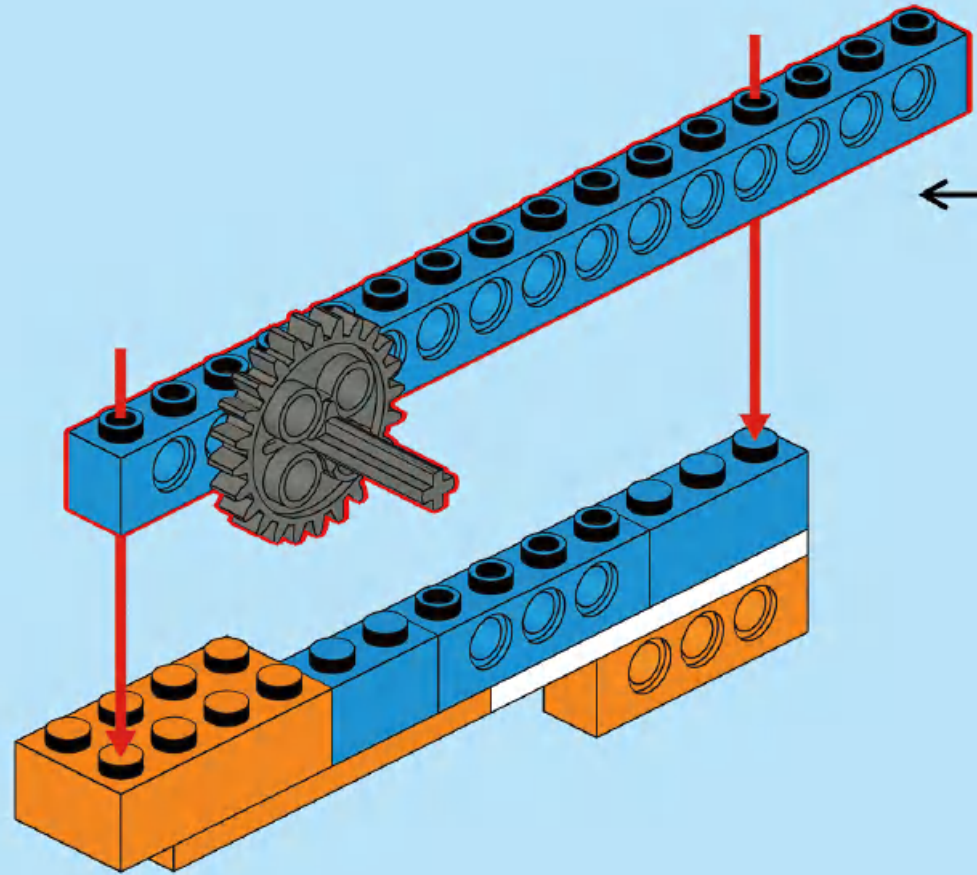
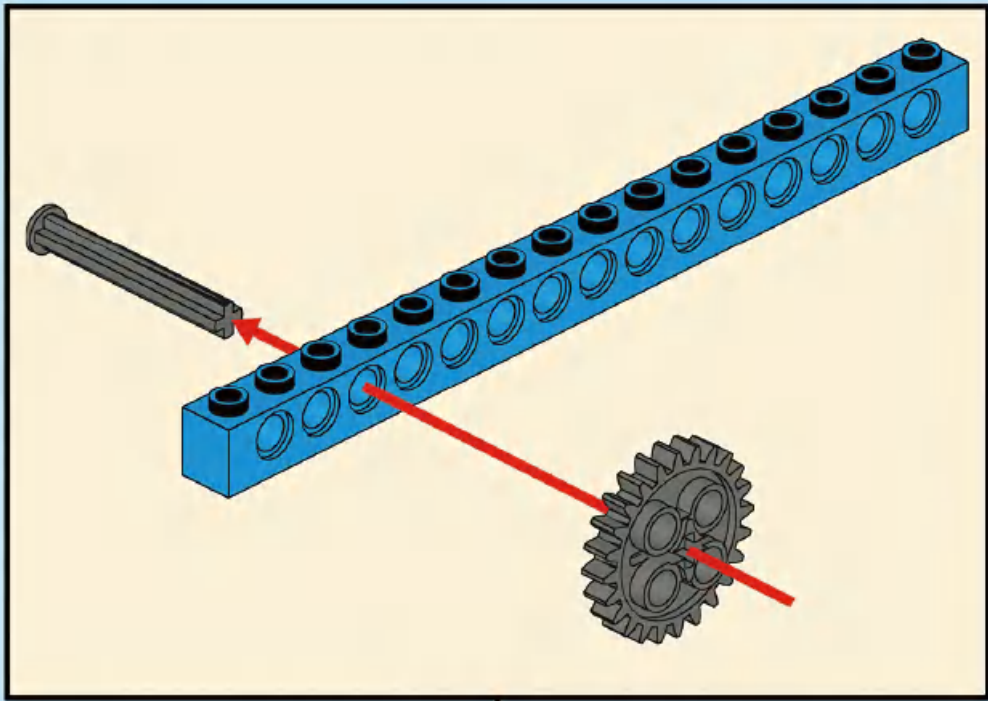
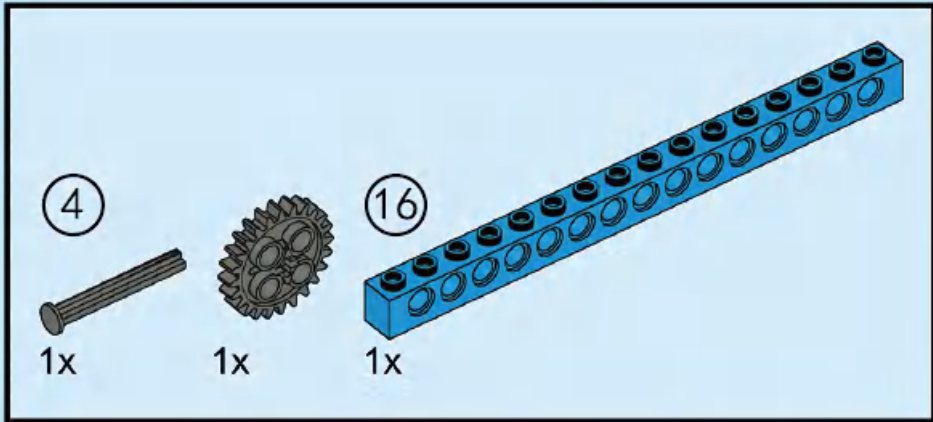
15



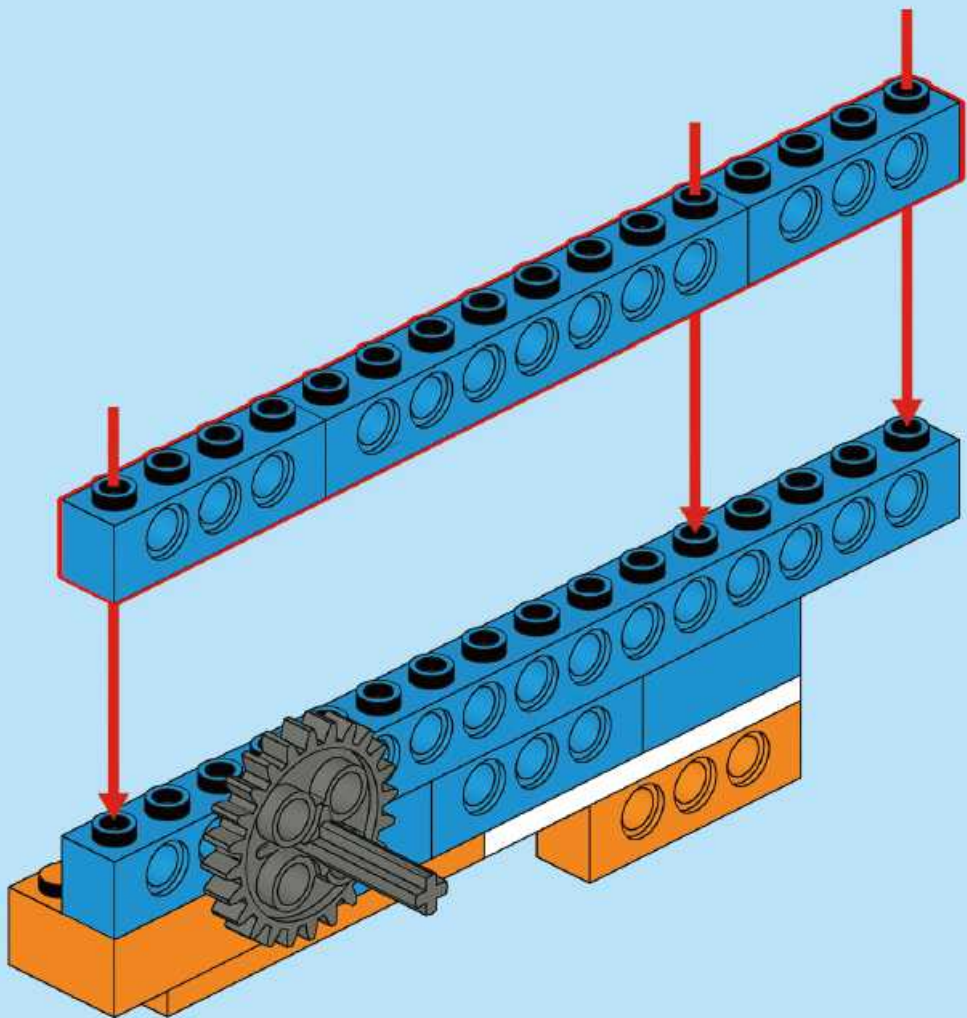
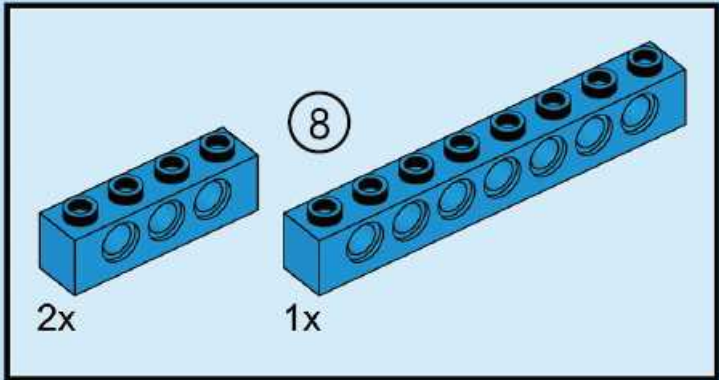
16



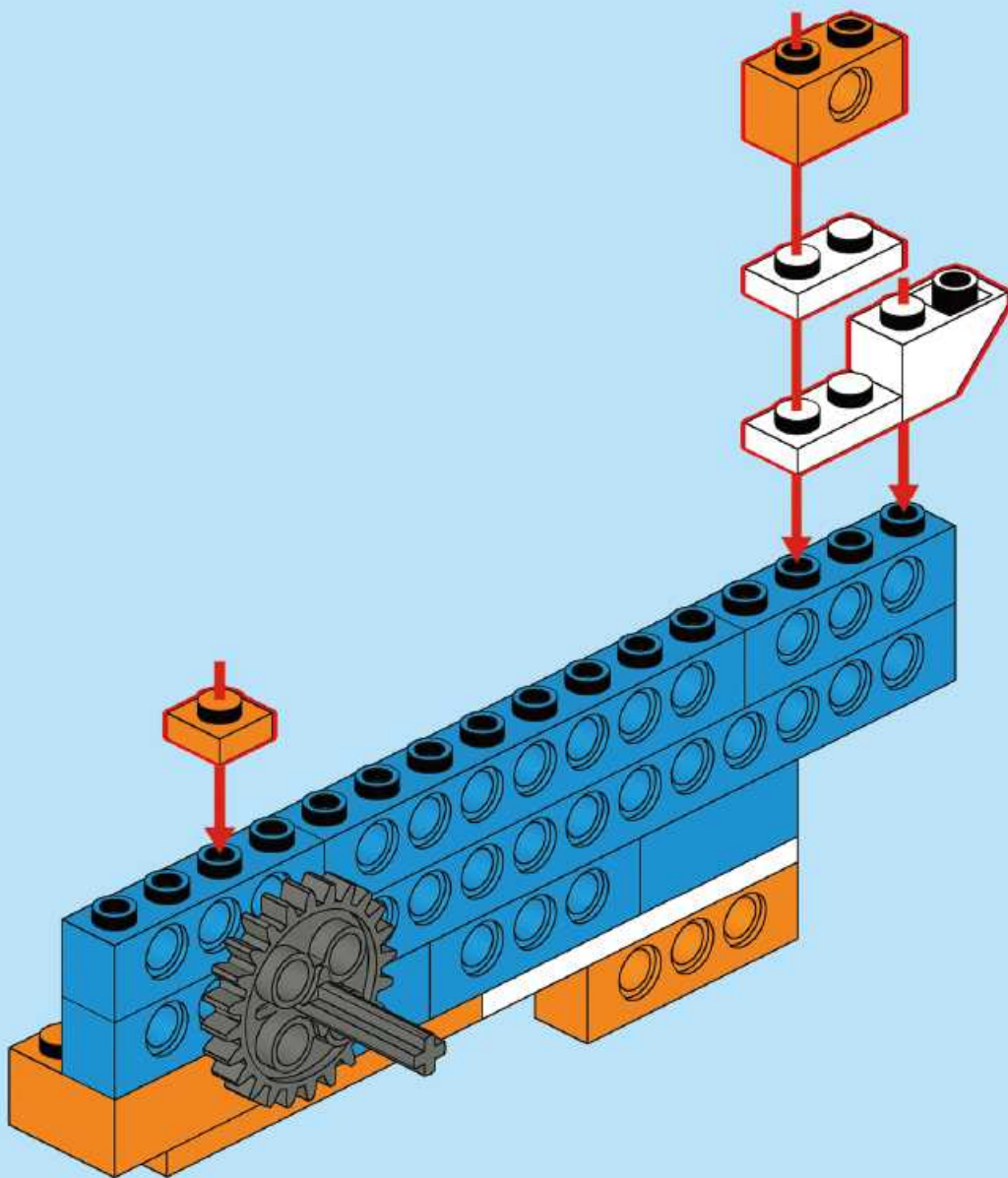
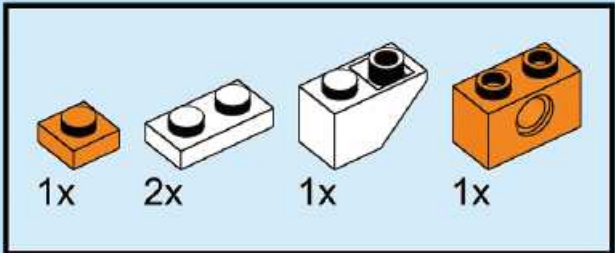
17



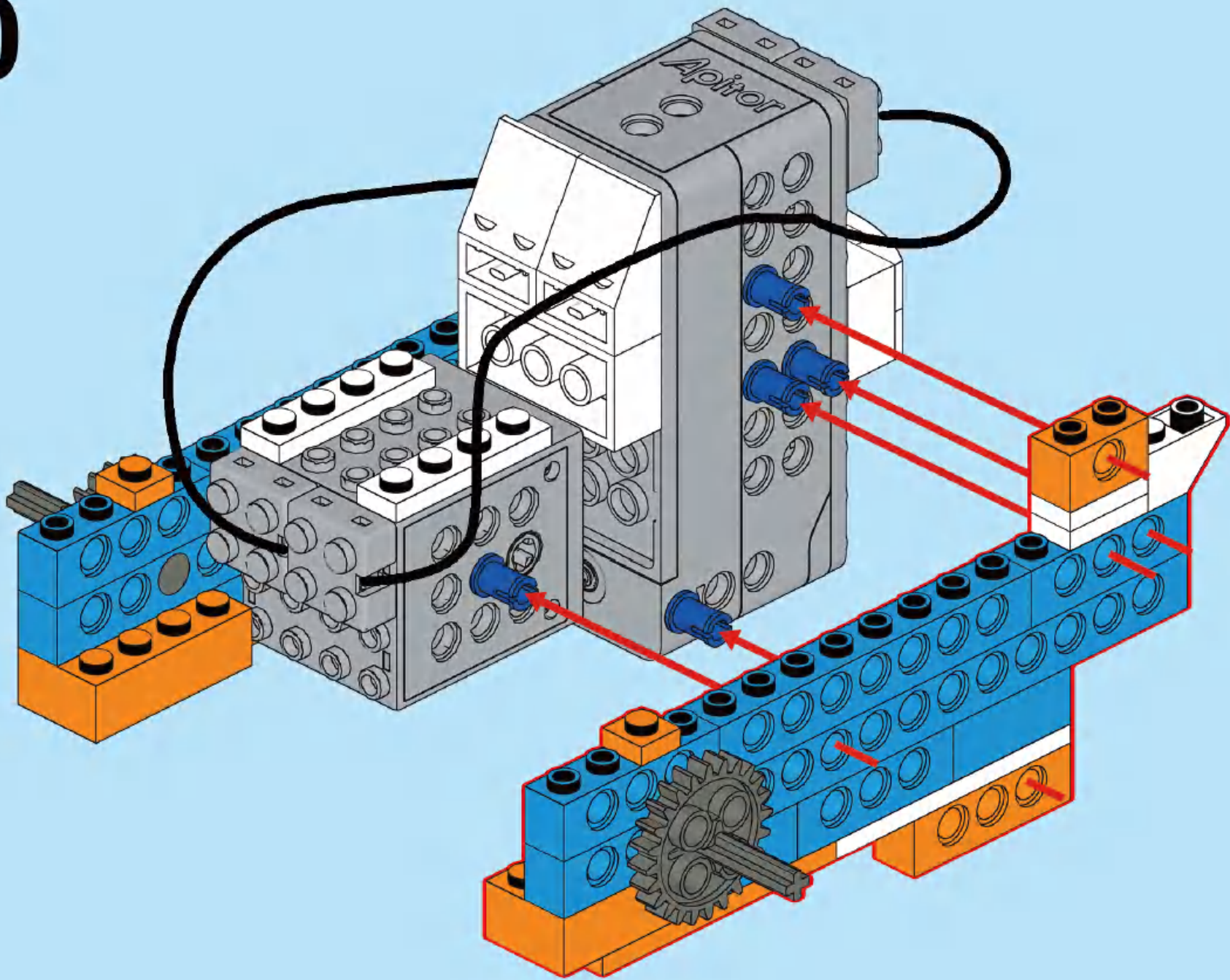
18



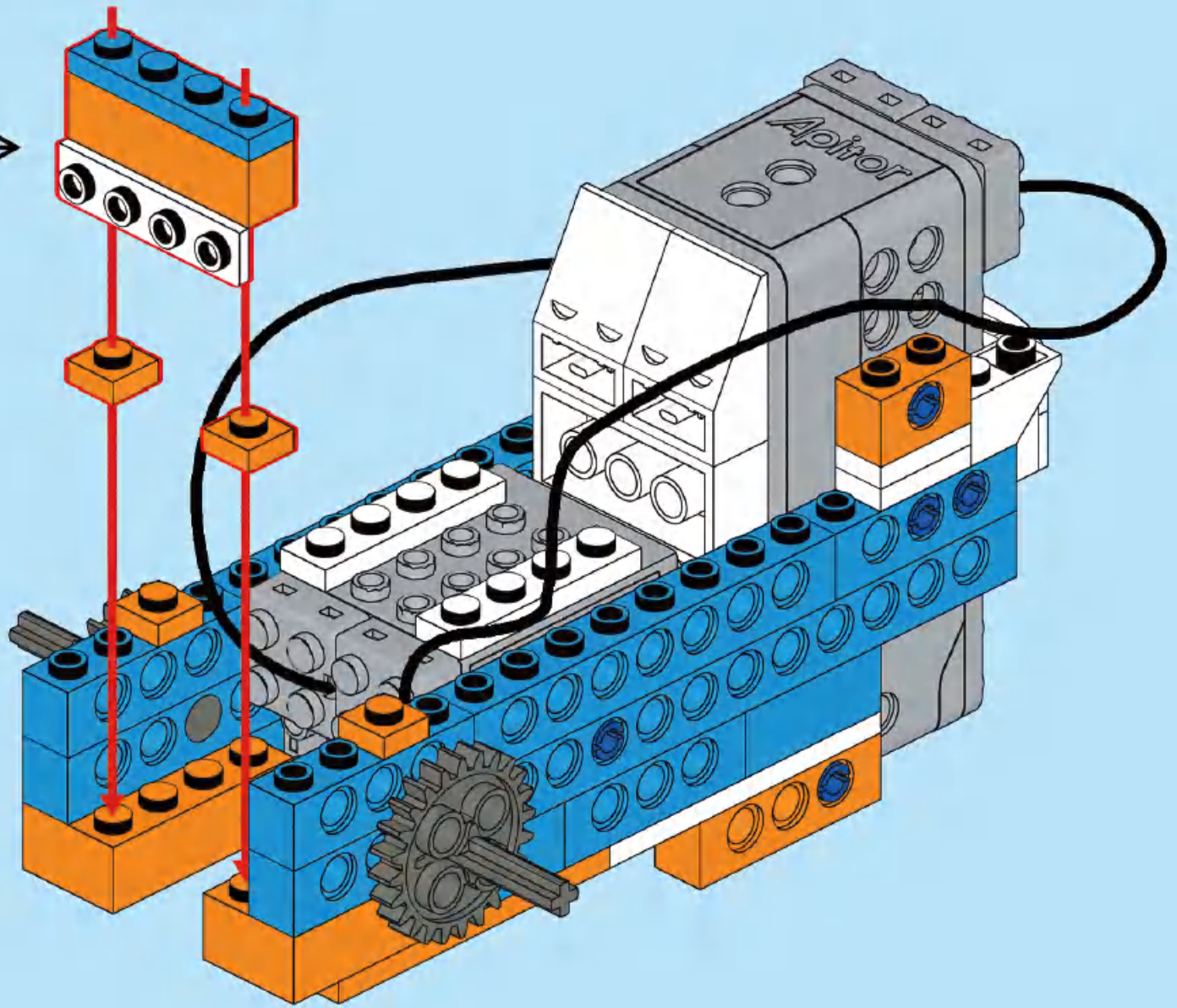
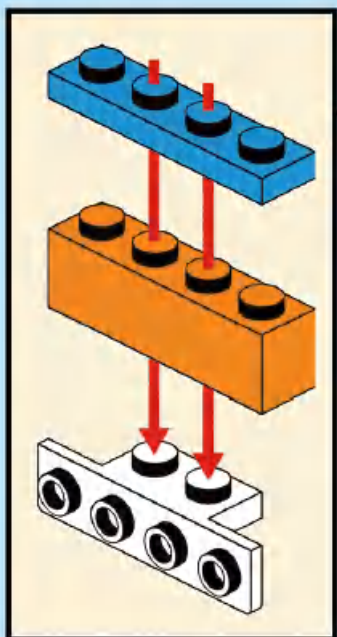
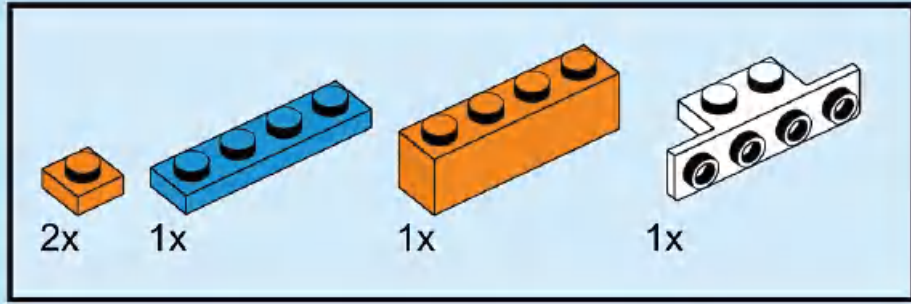
19



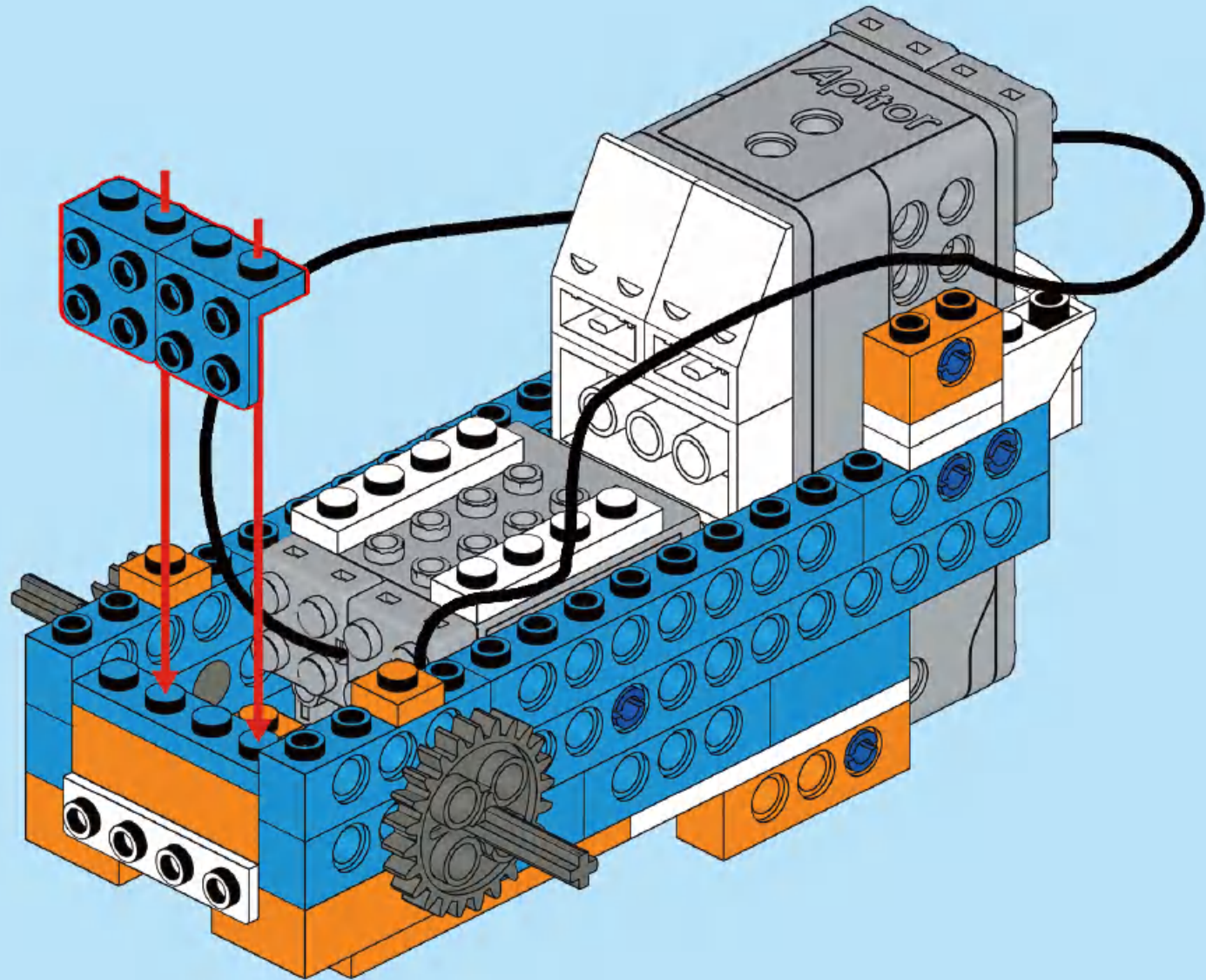
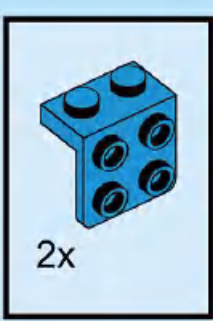
20



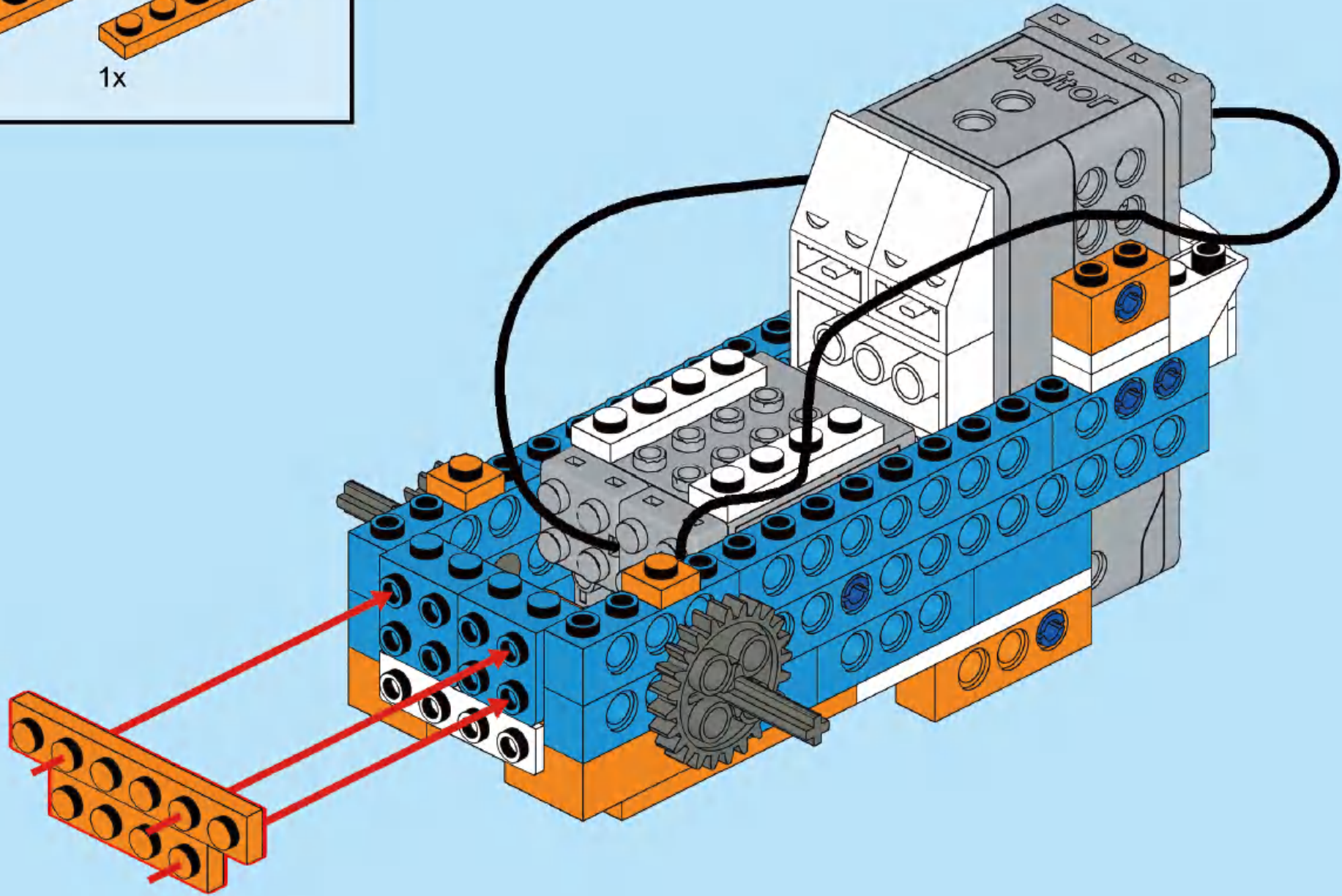
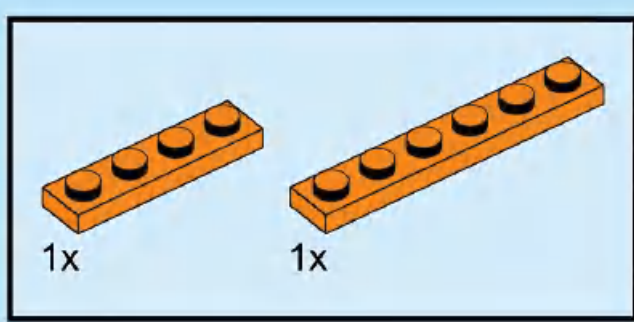
21



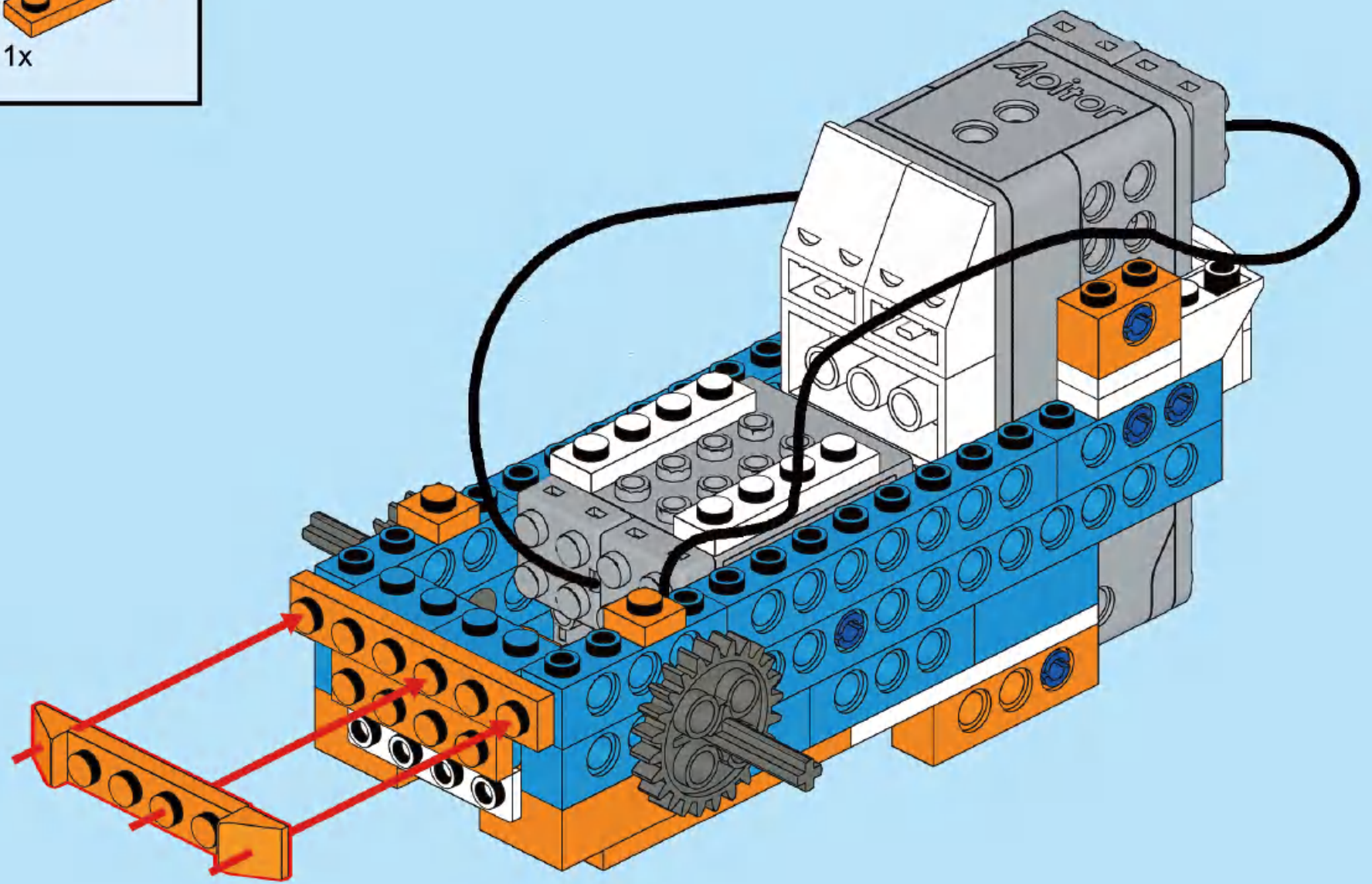
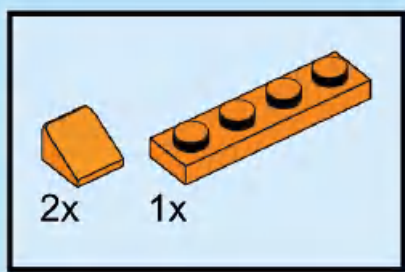
22



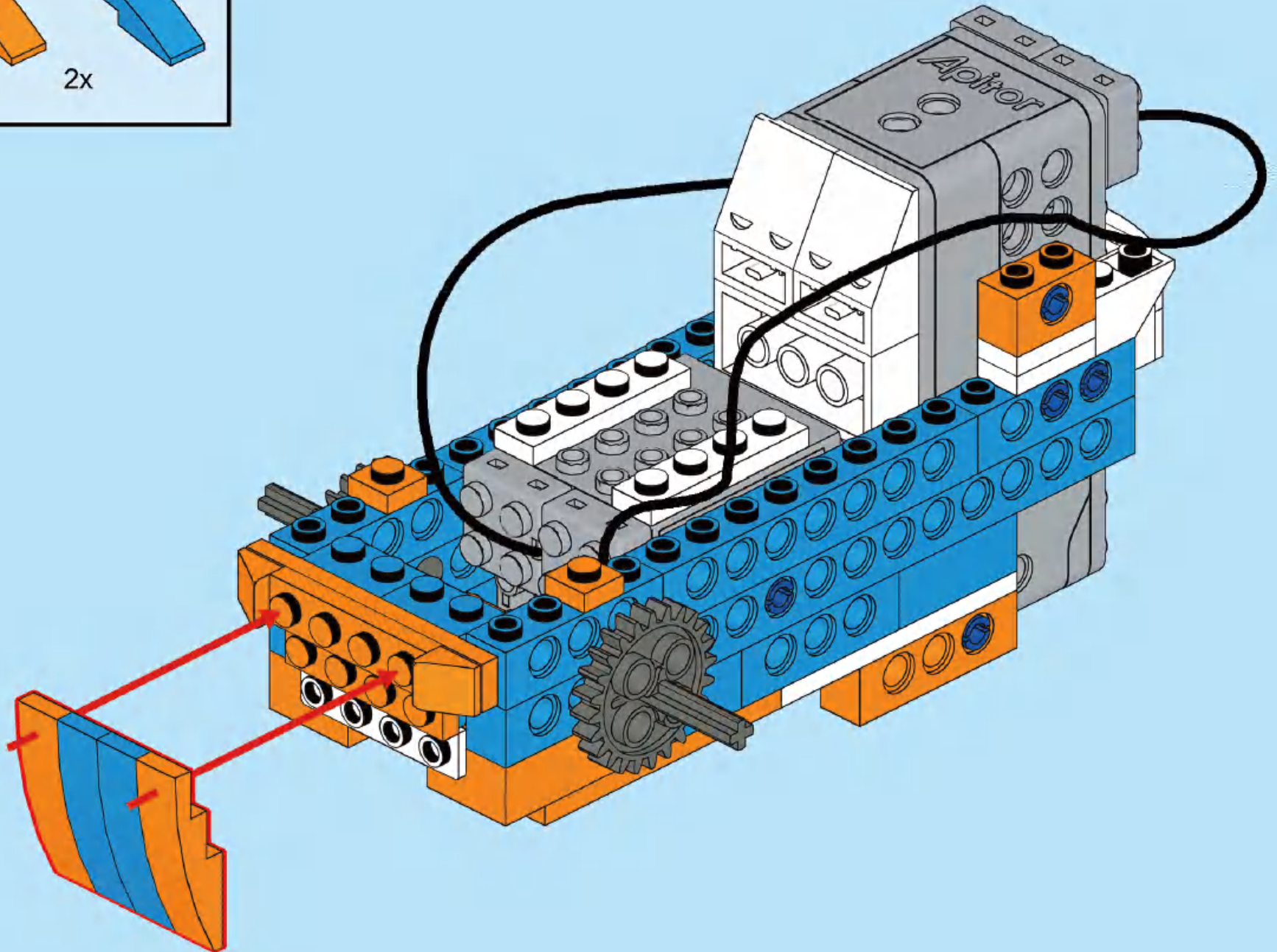
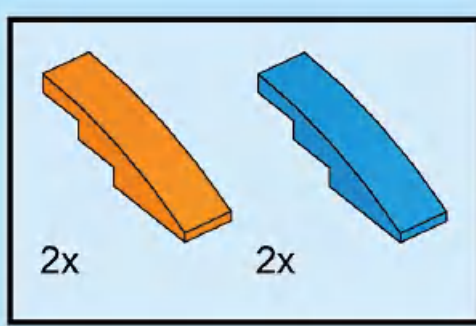
23



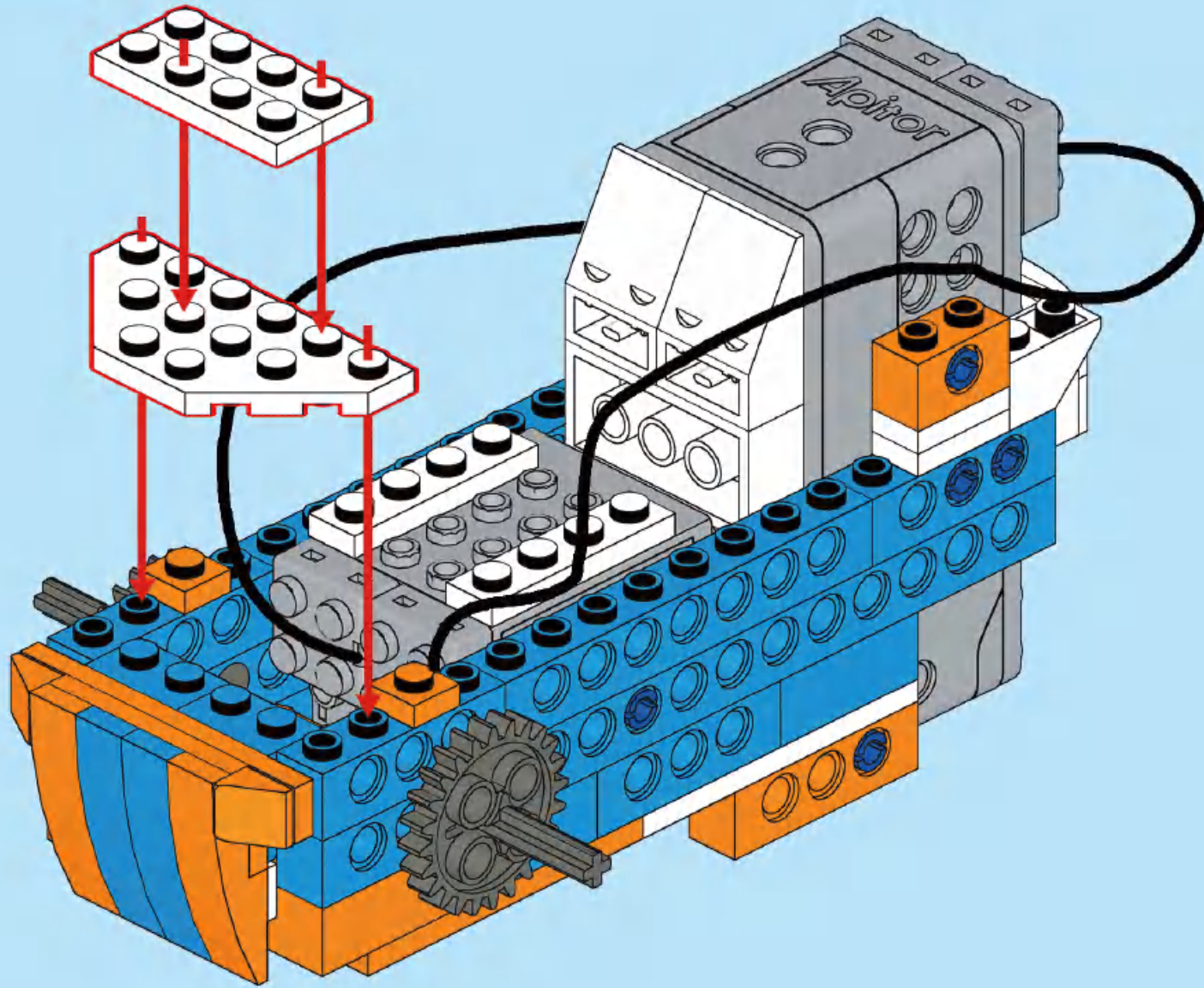
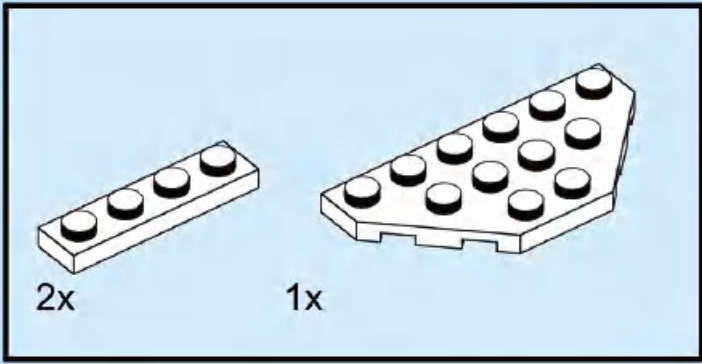
24



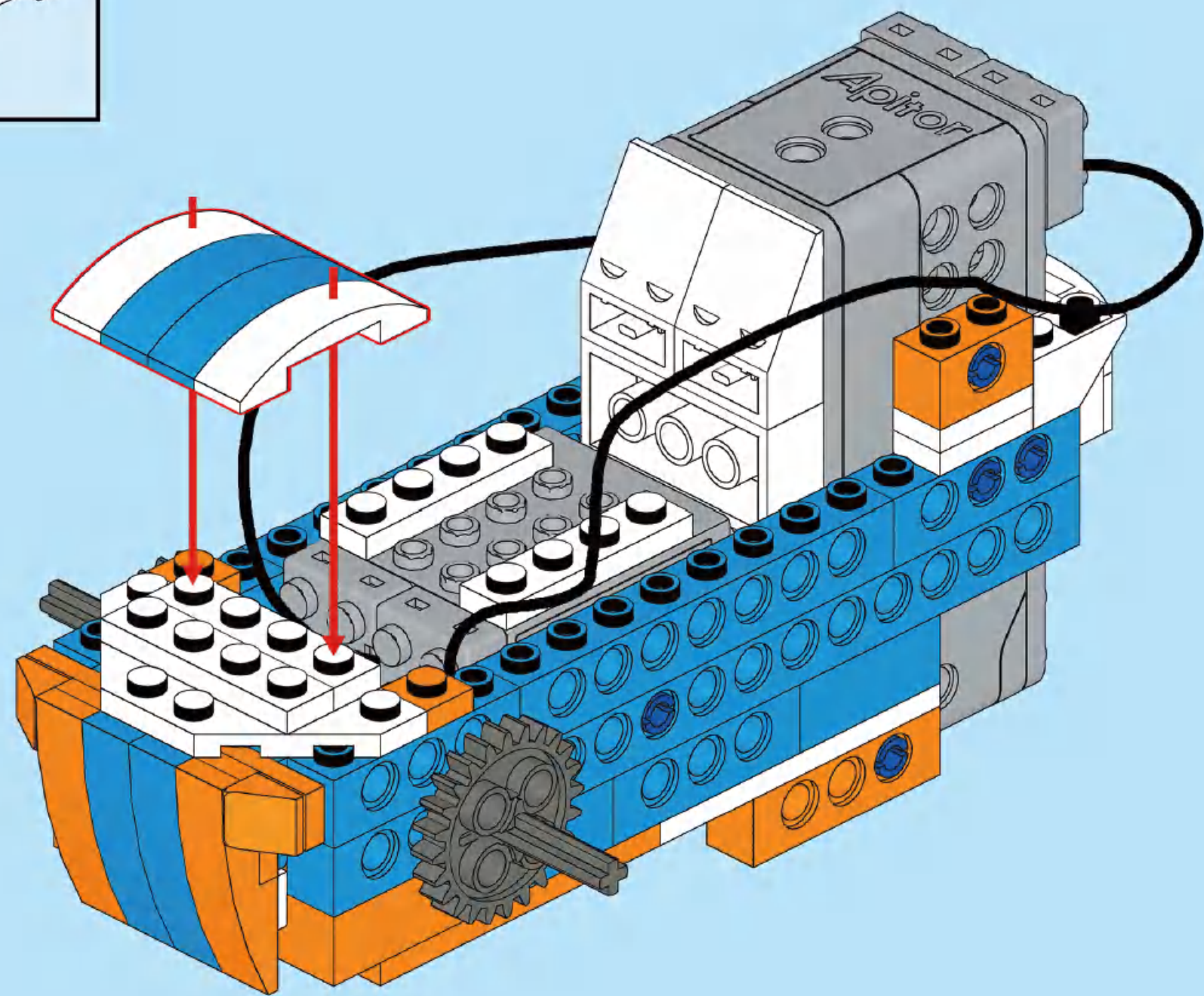
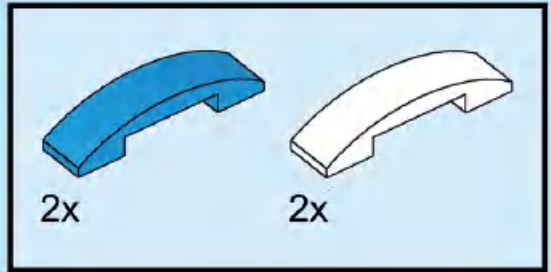
25



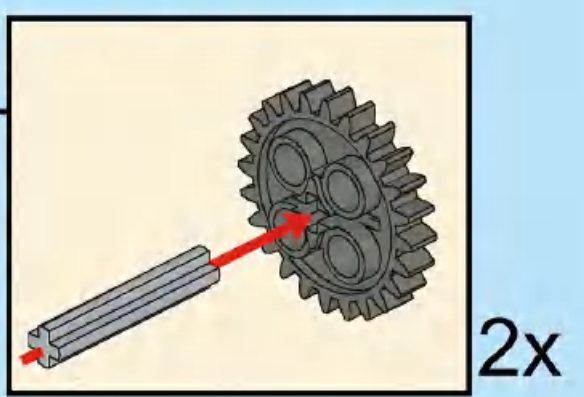
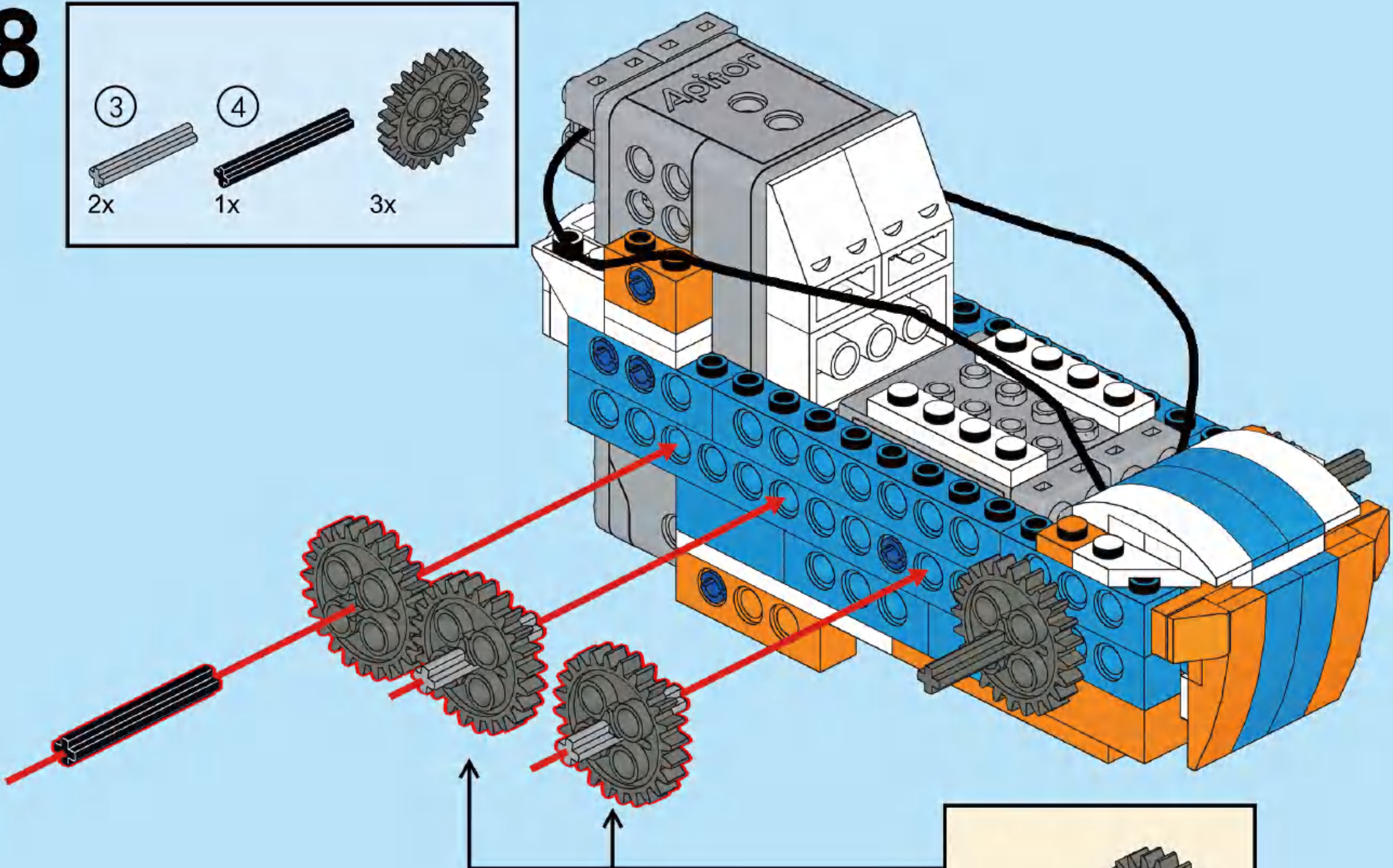
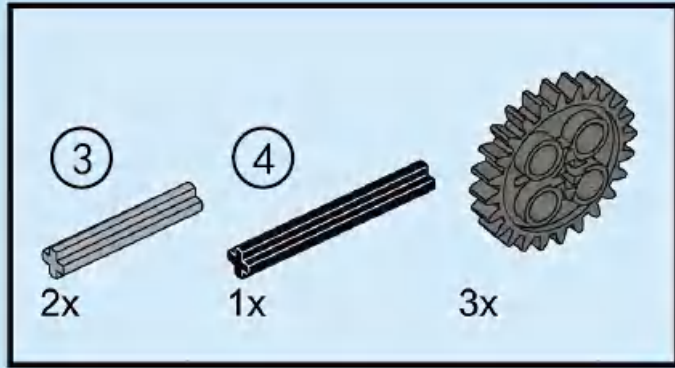
26



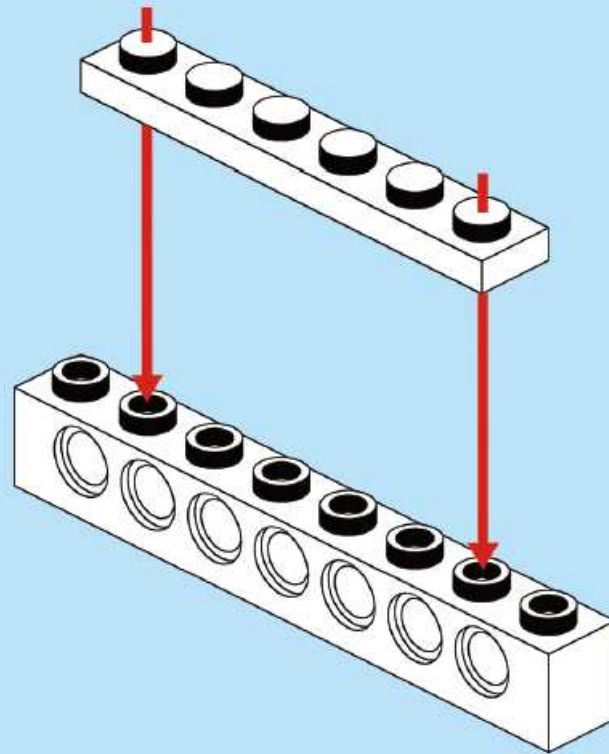
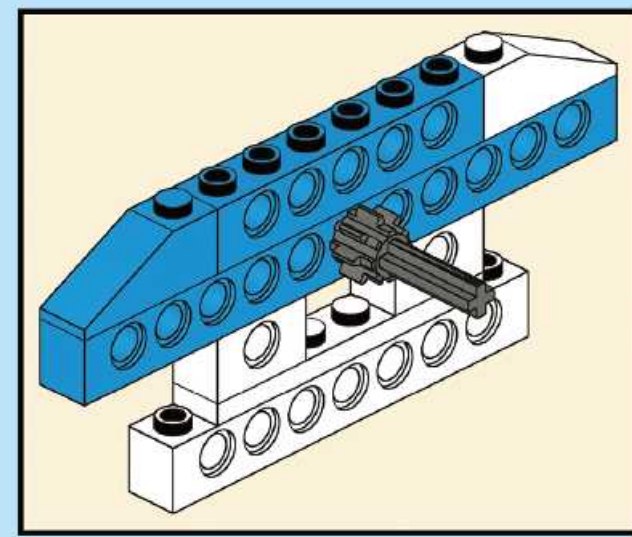
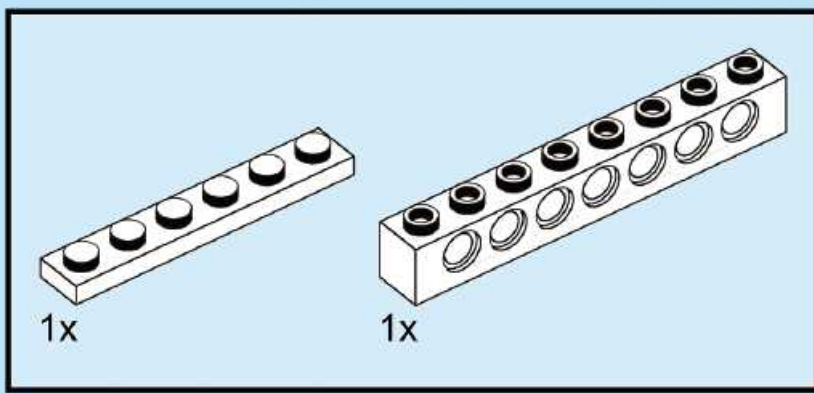
27



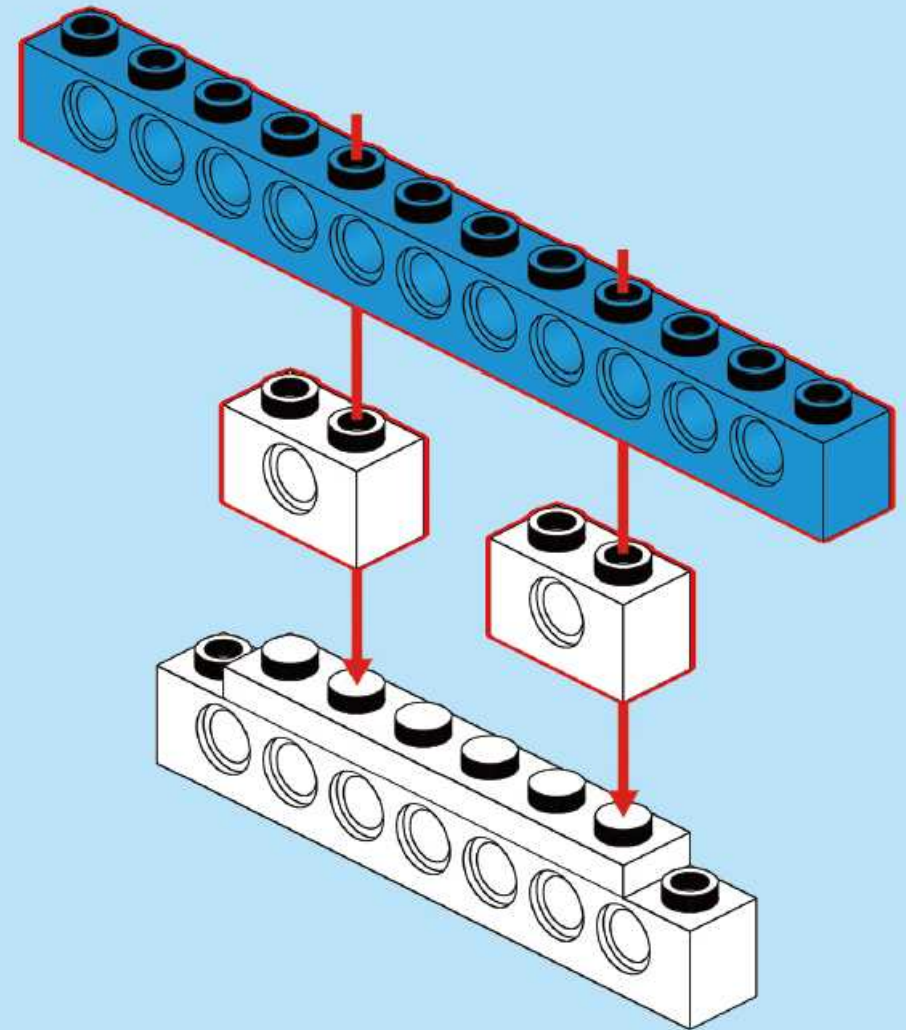
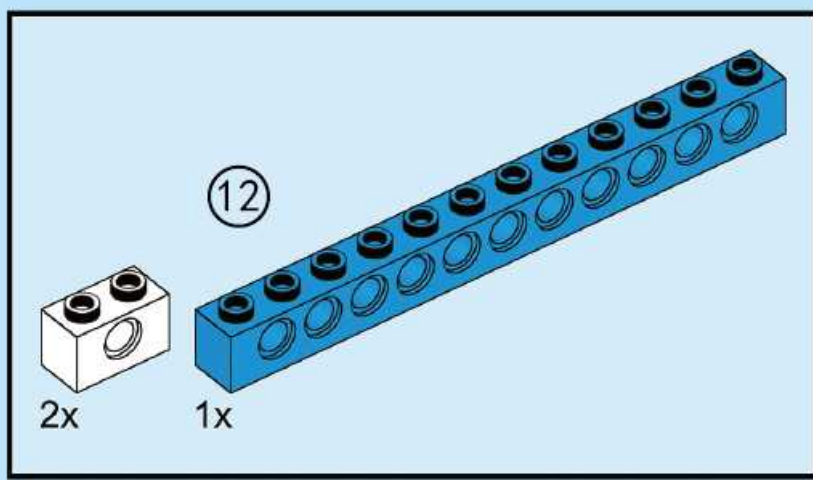
28



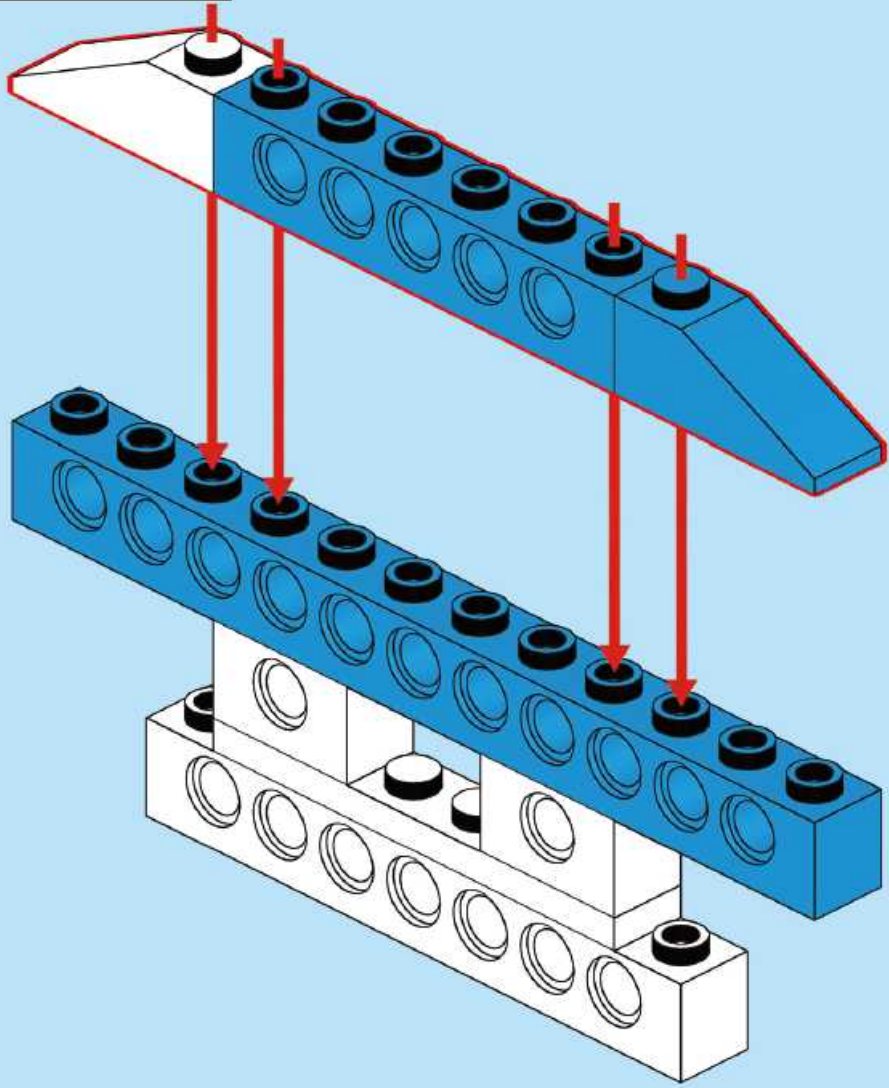
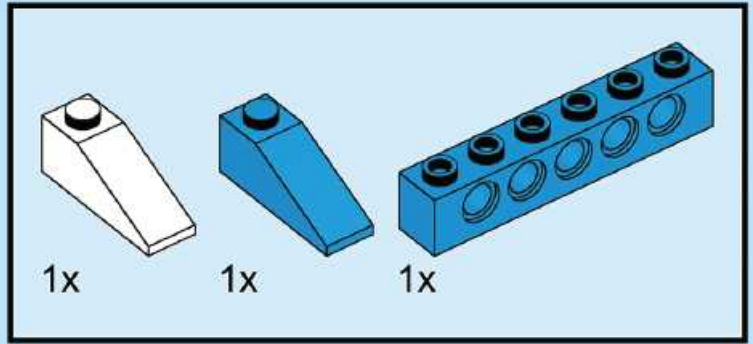
29



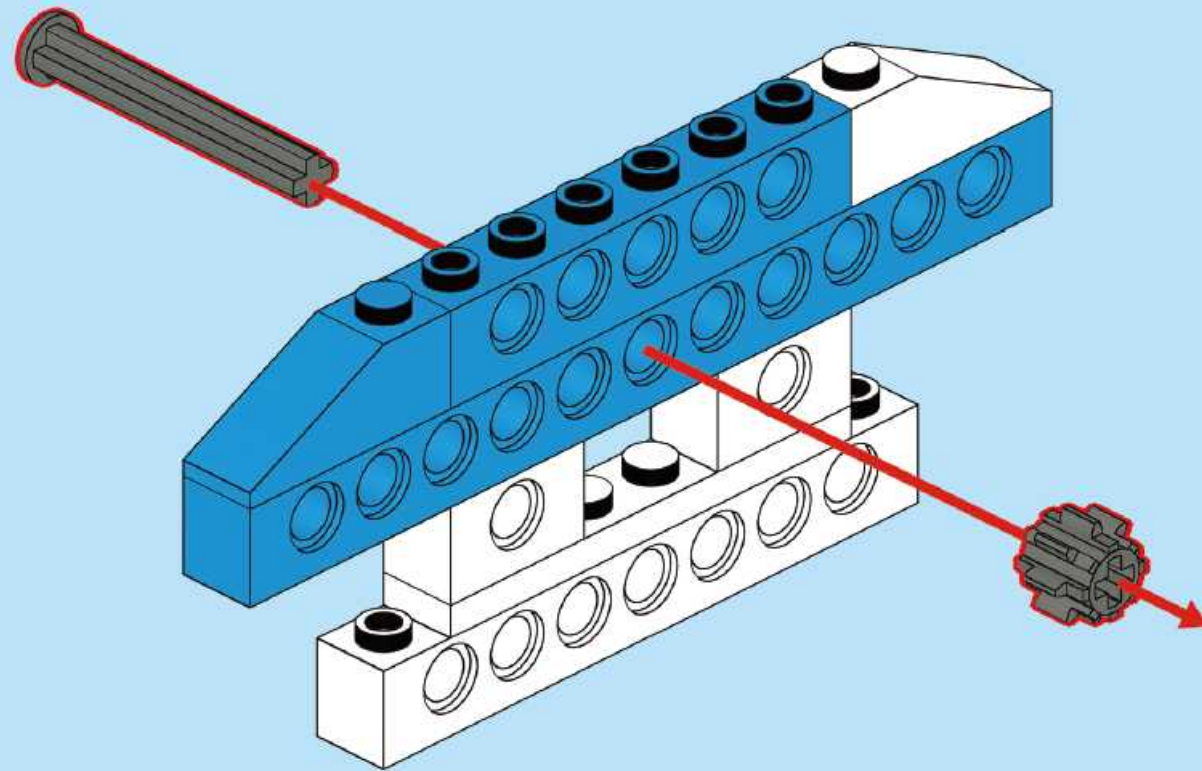
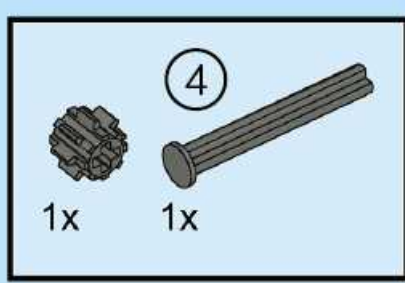
30



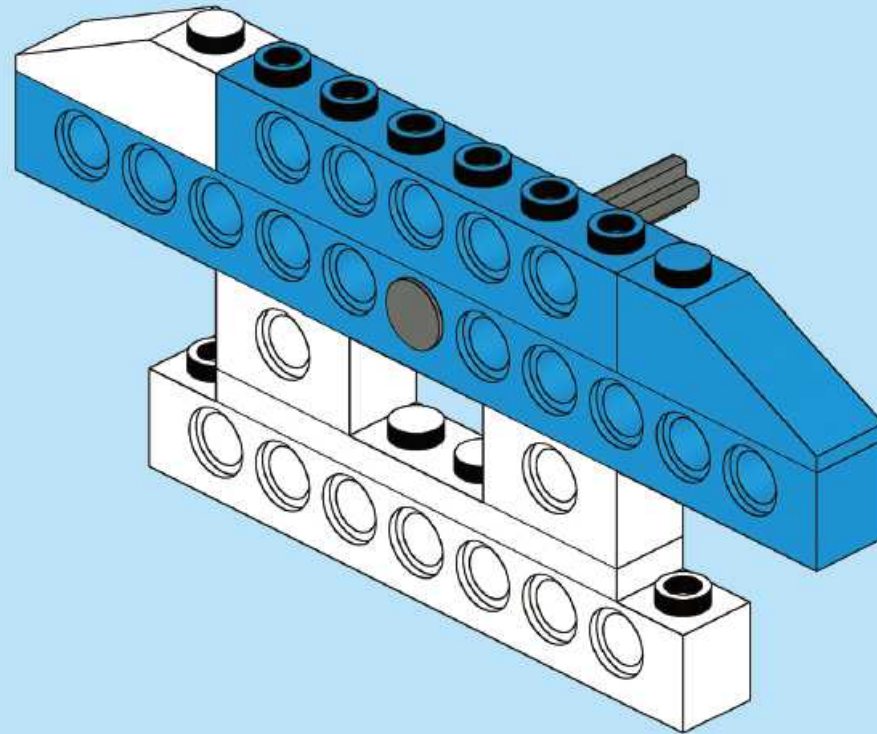
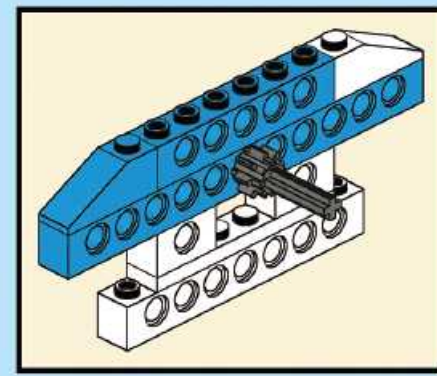
31

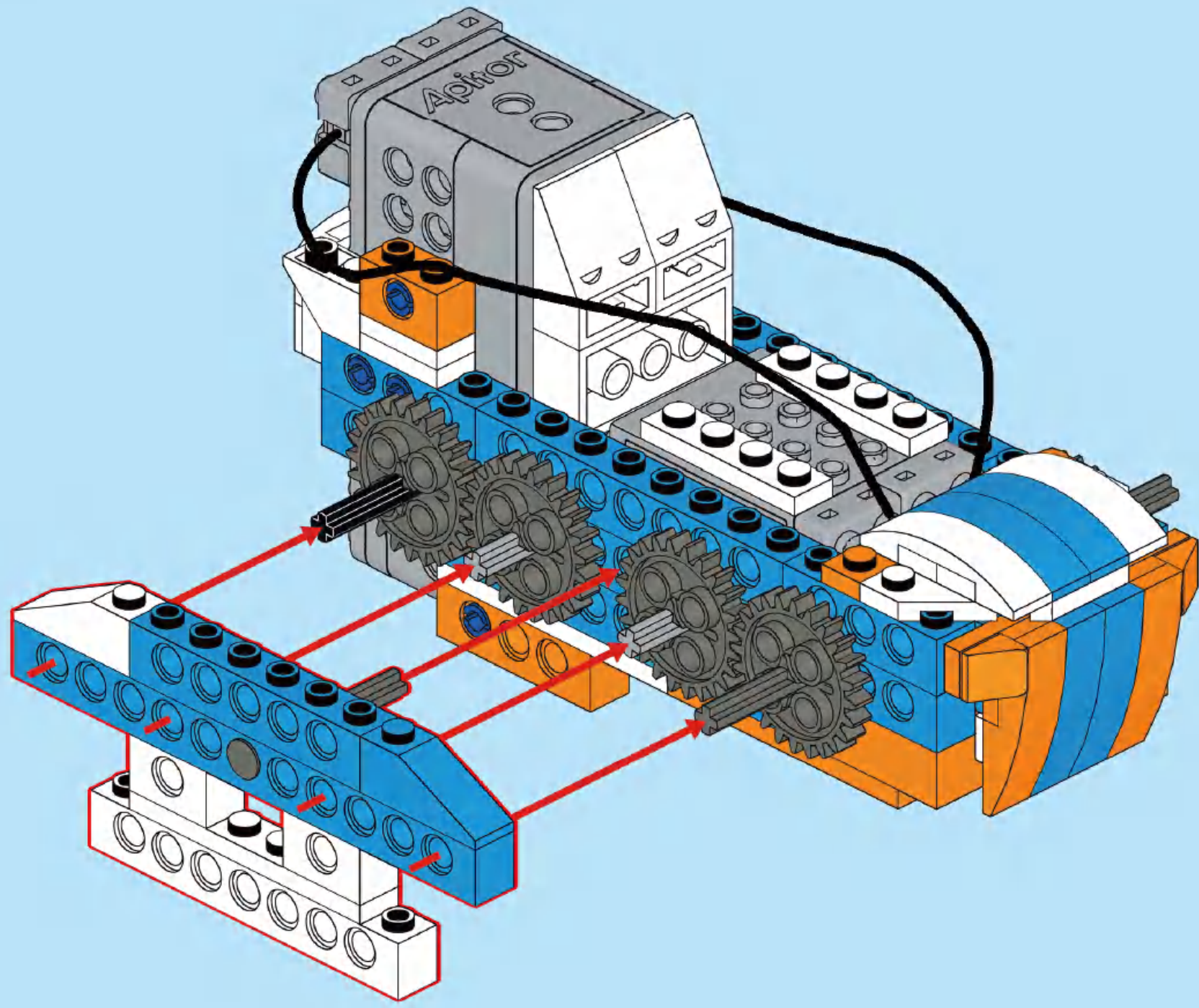


32

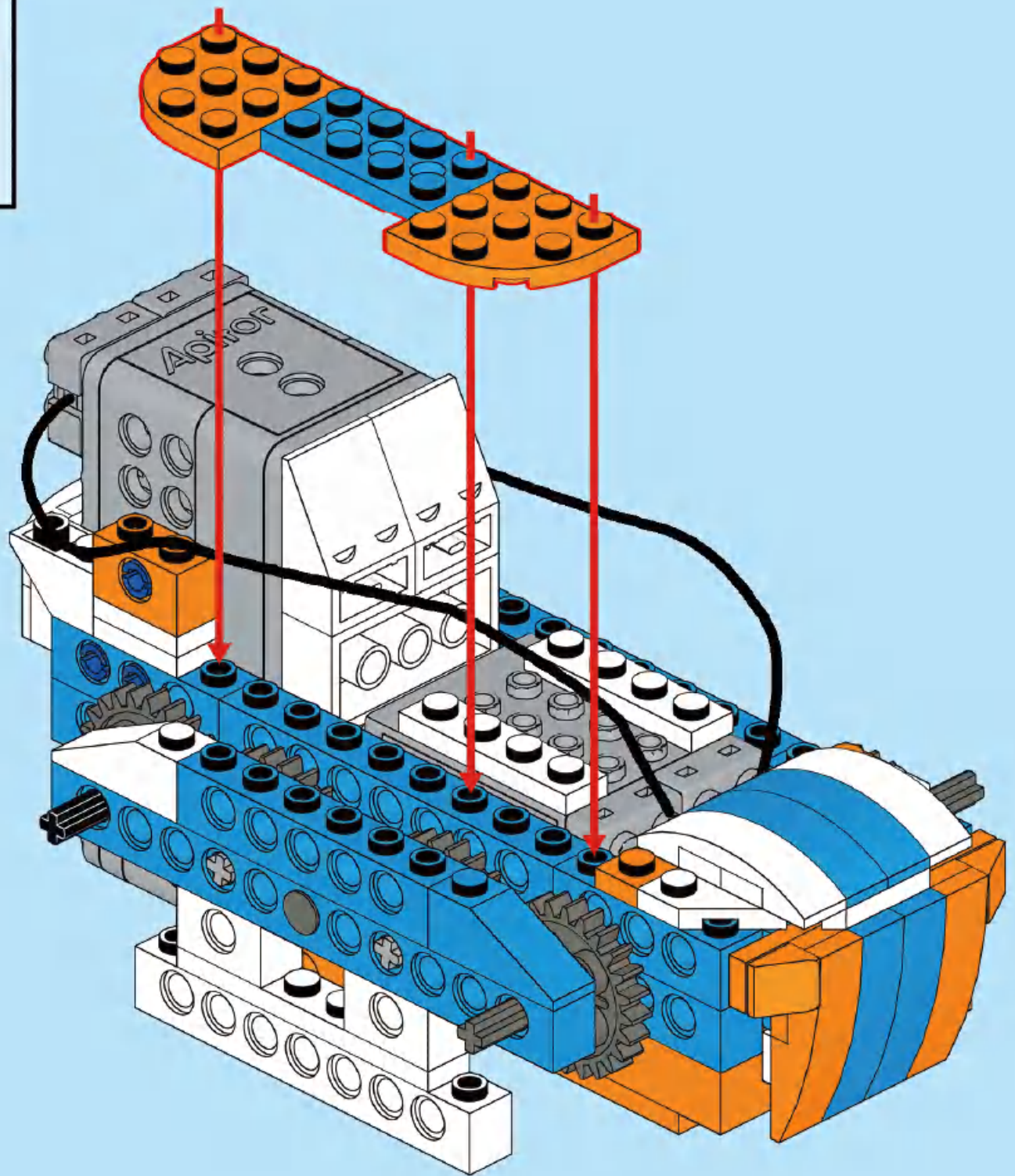
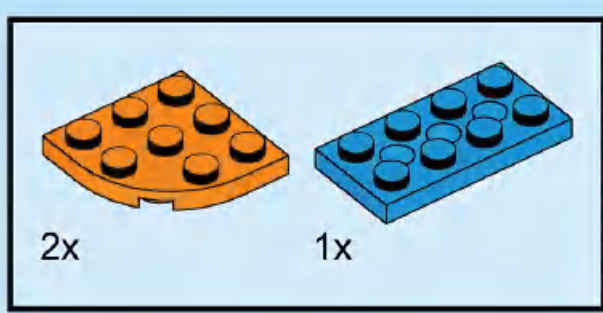


33

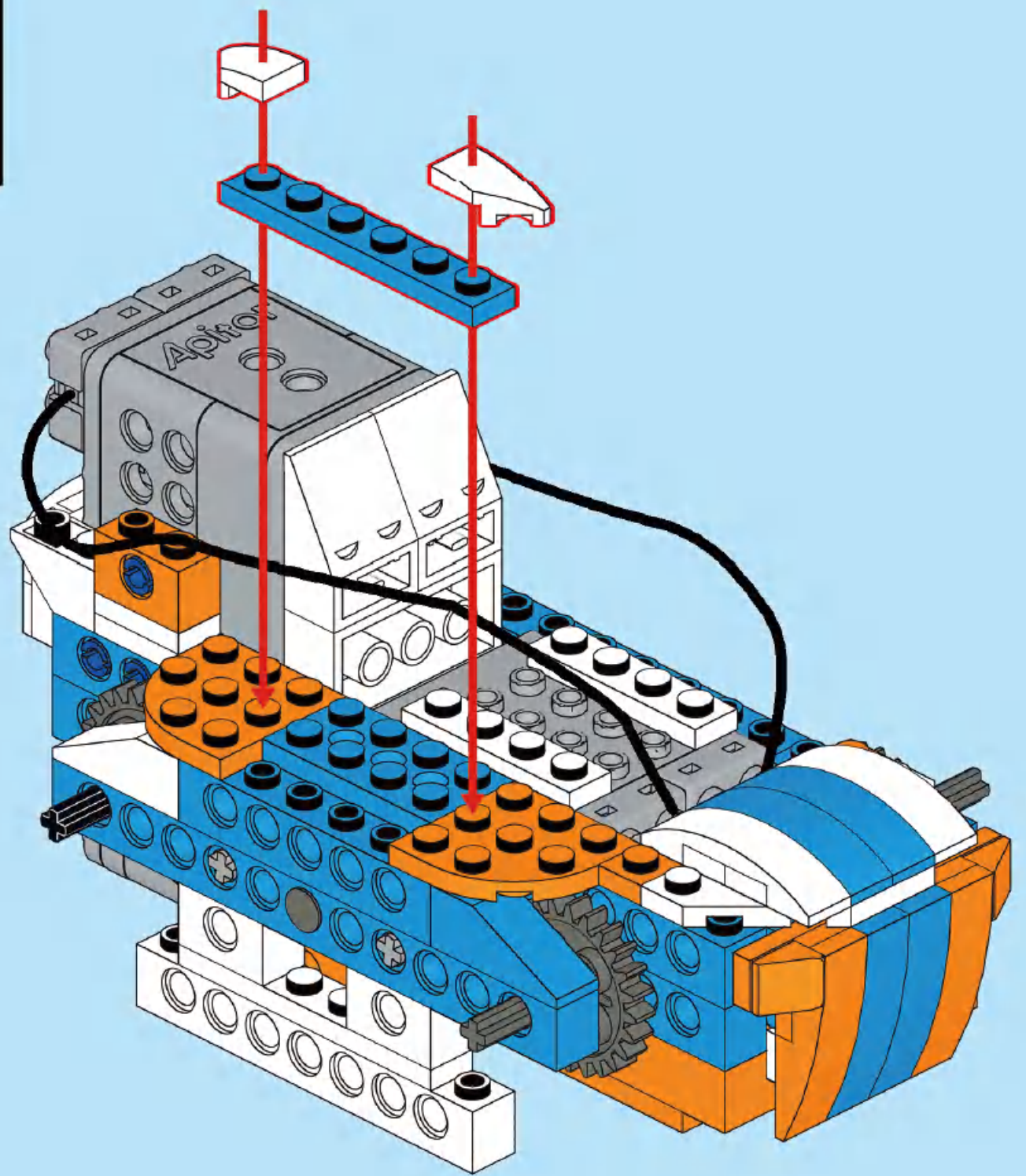
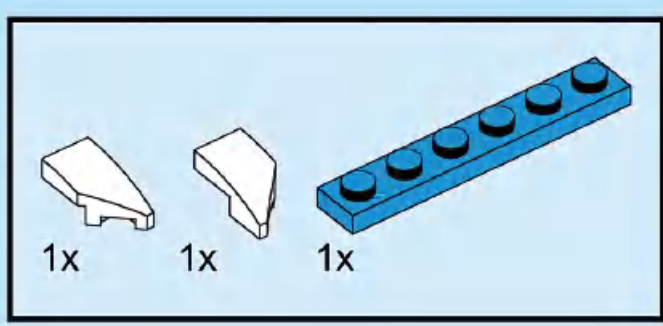




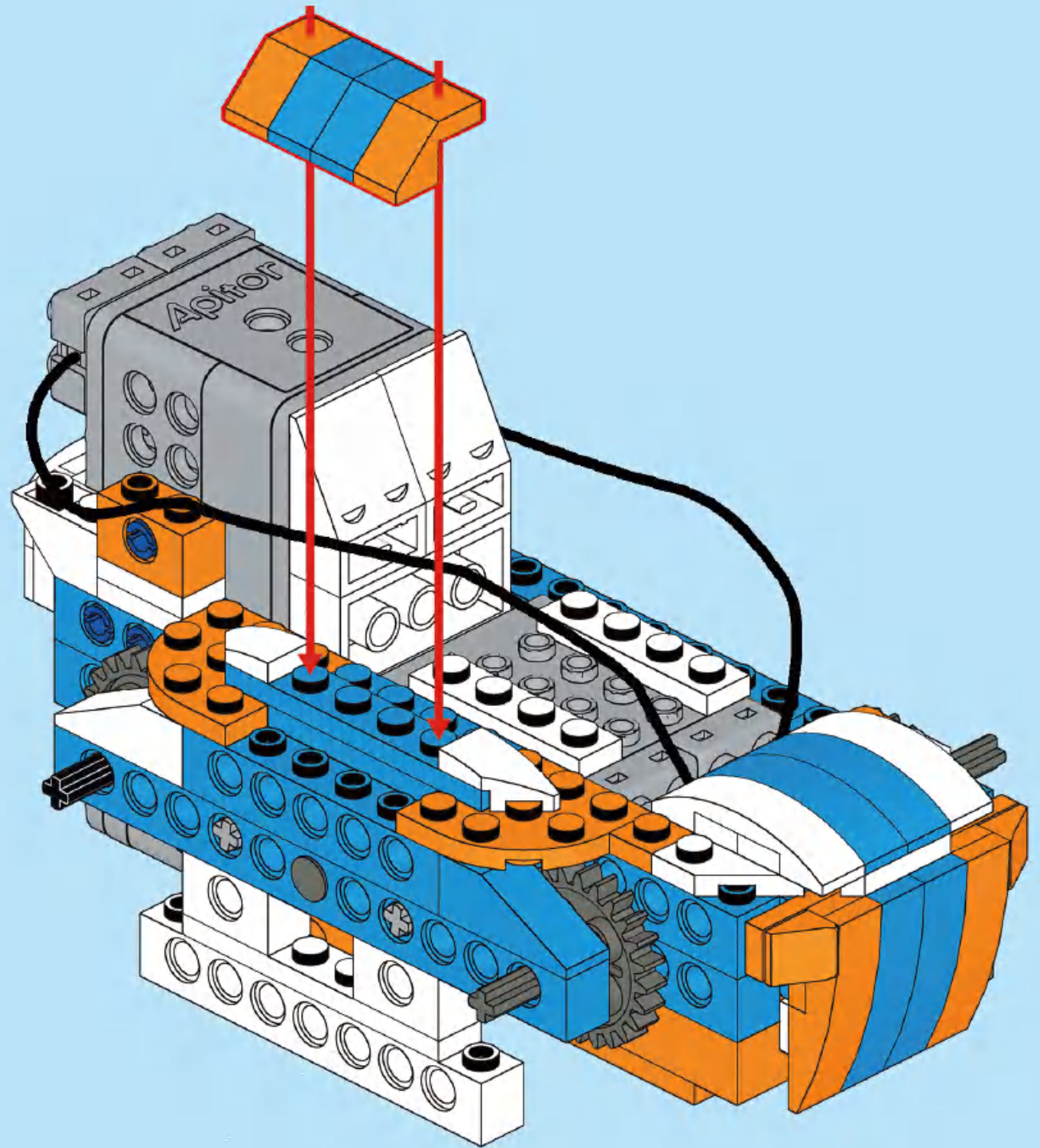
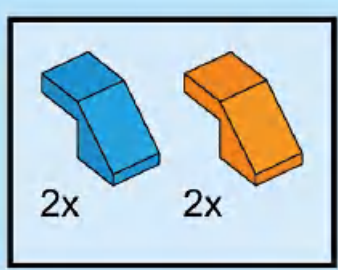
35



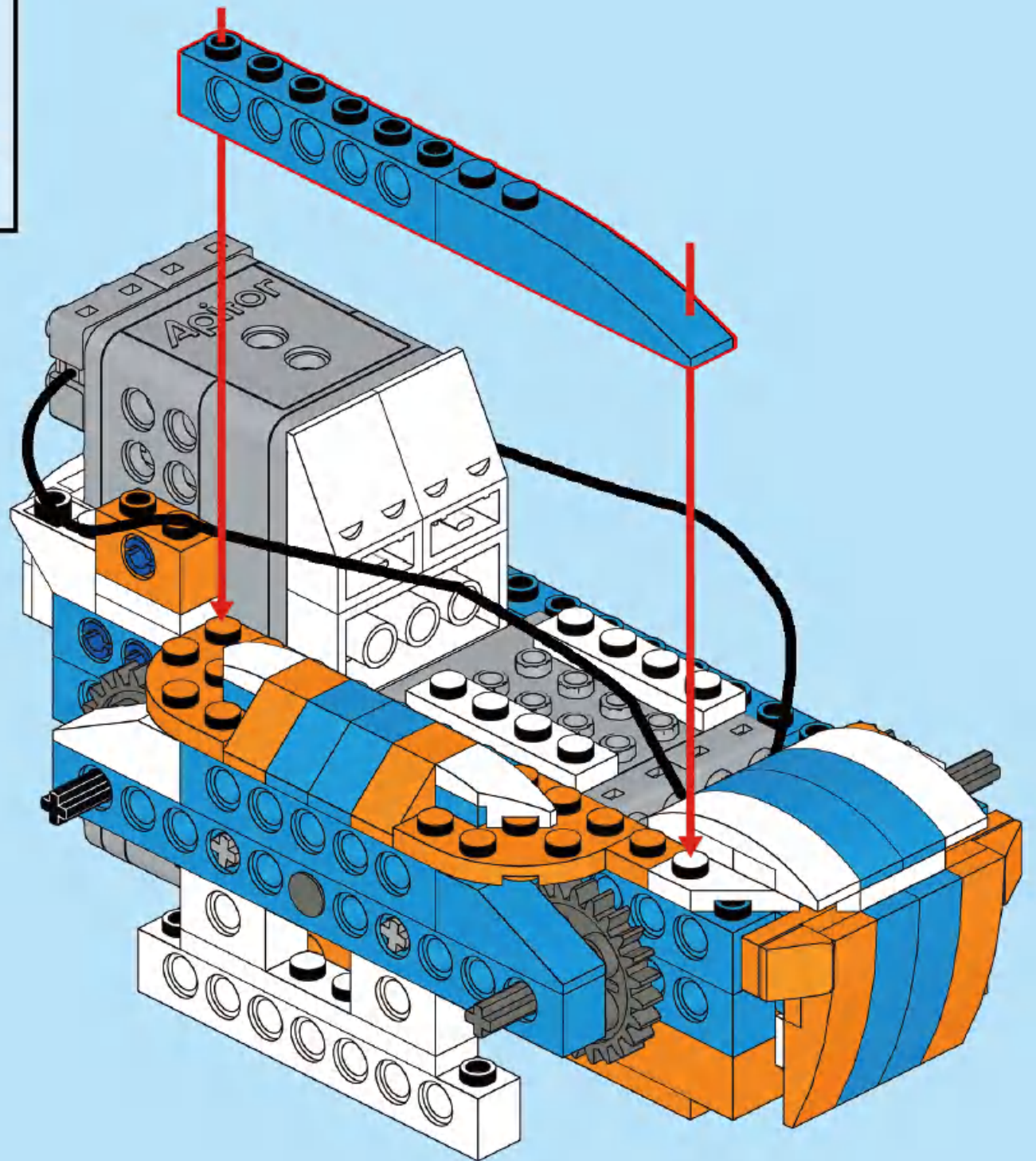
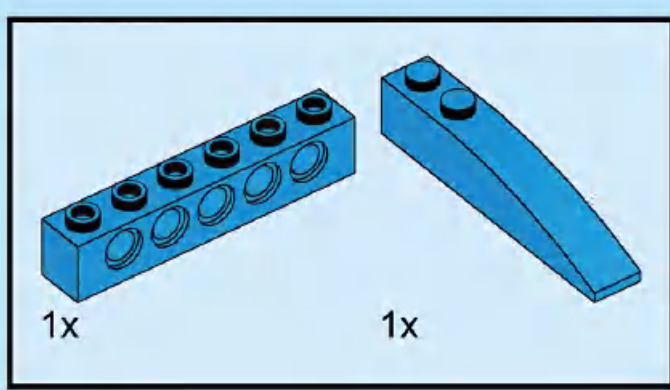
36



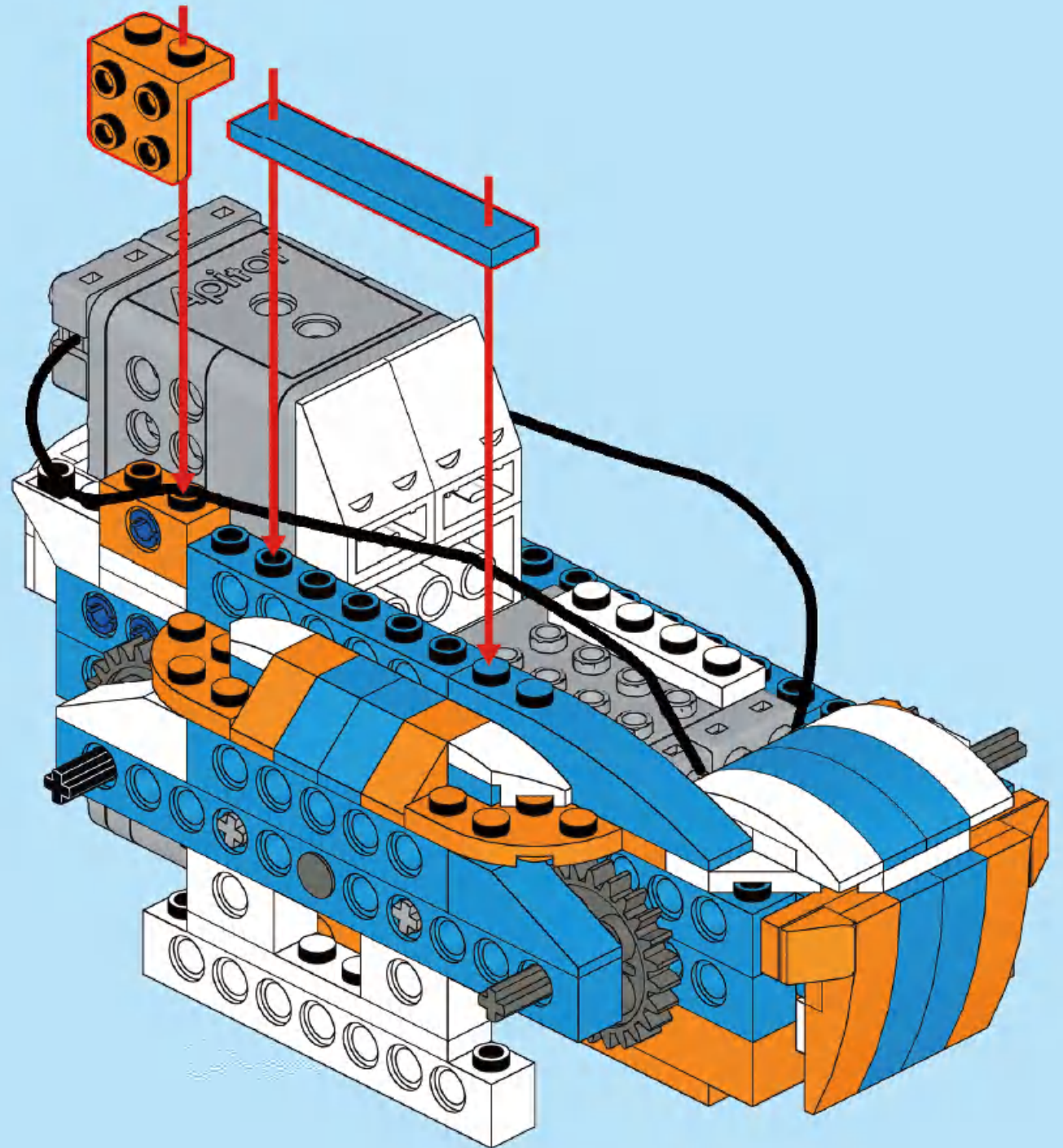
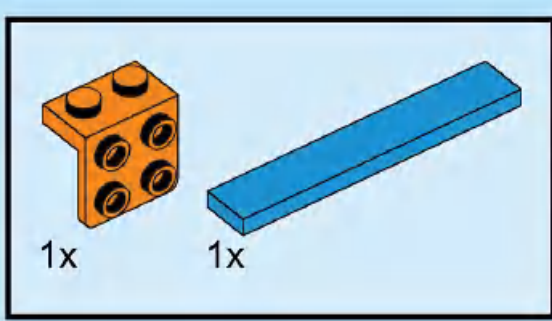
37



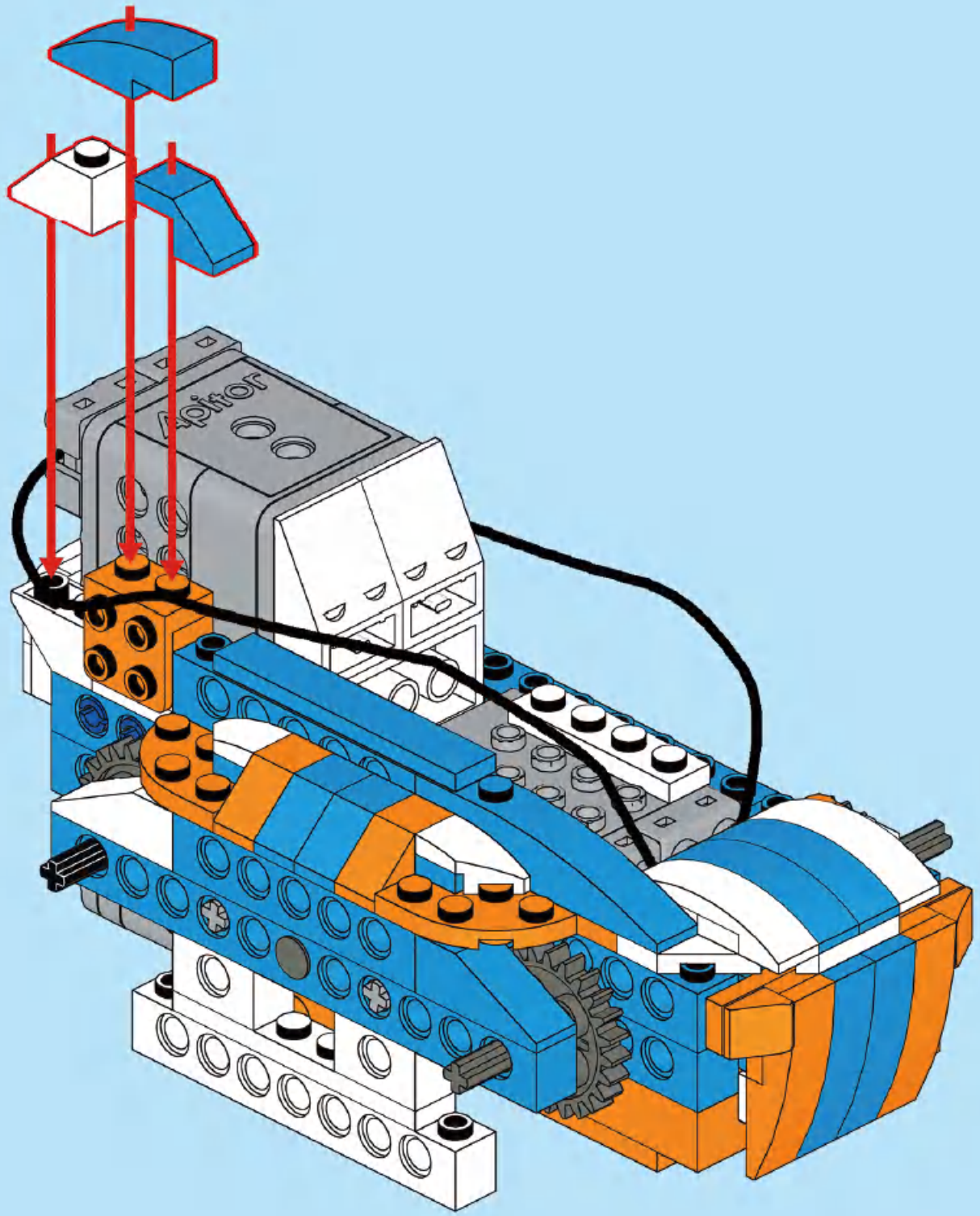
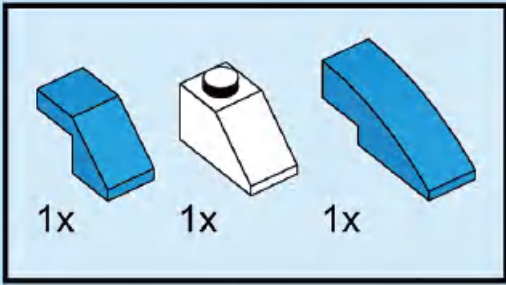
38



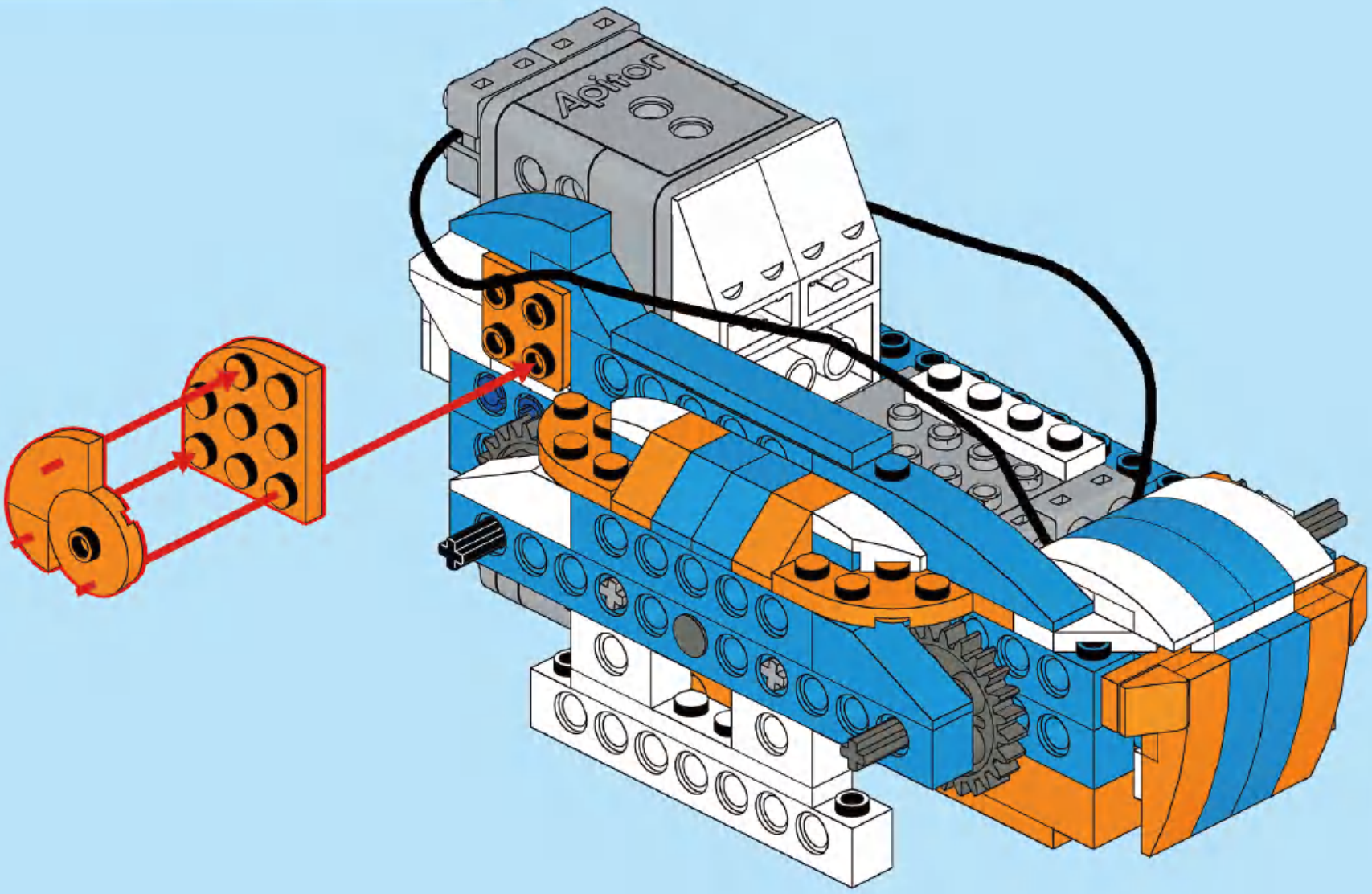
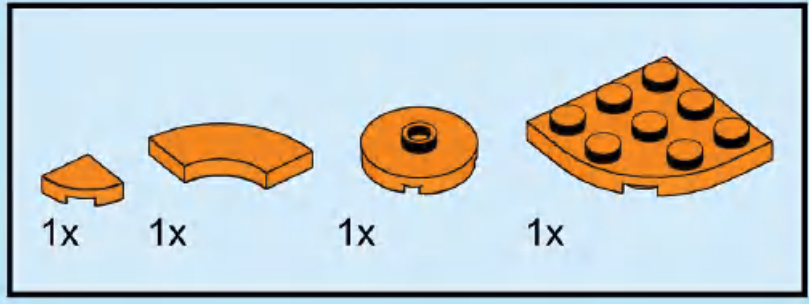
39



40



41



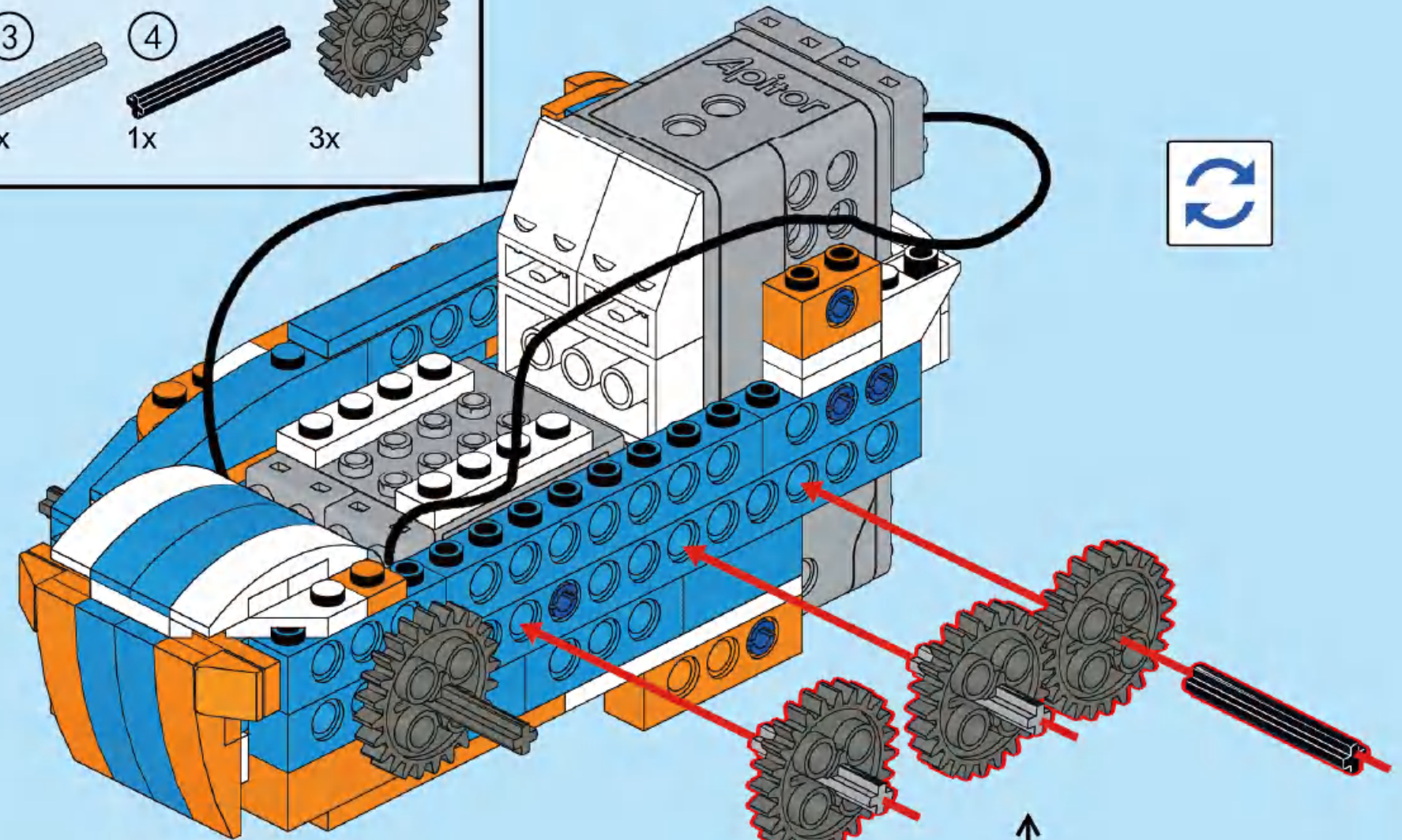
42

3
2x

4
1x

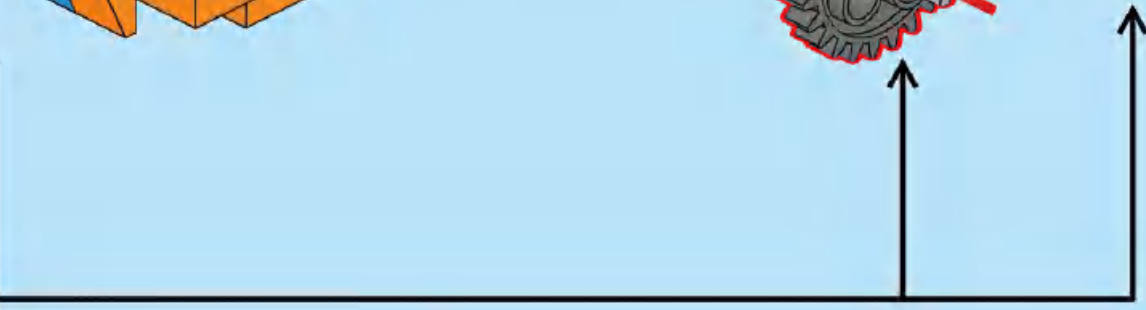
3x

This inset shows the parts required for this step: two grey Technic axles of length 3, one grey Technic axle of length 4, and three grey Technic gears of size 24.

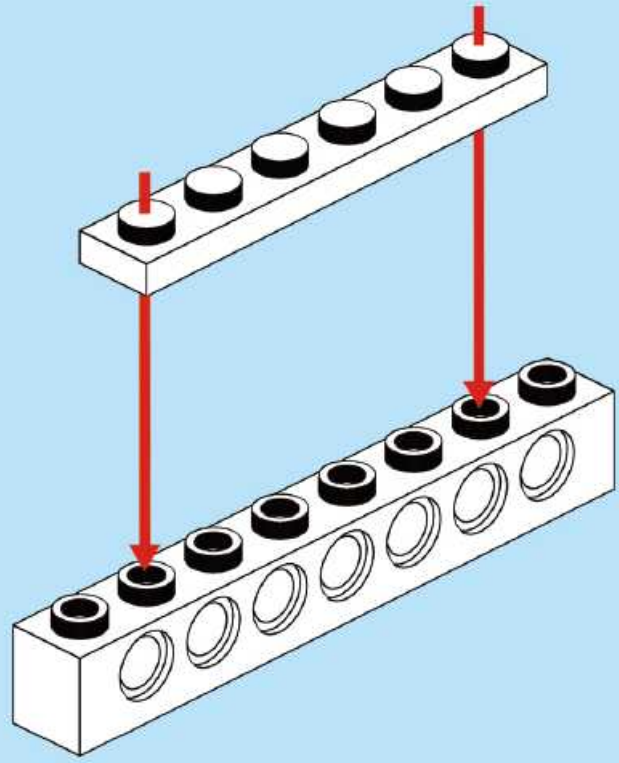
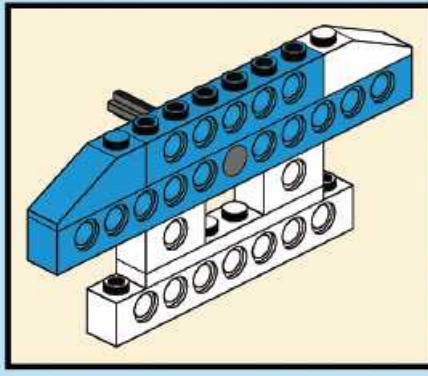
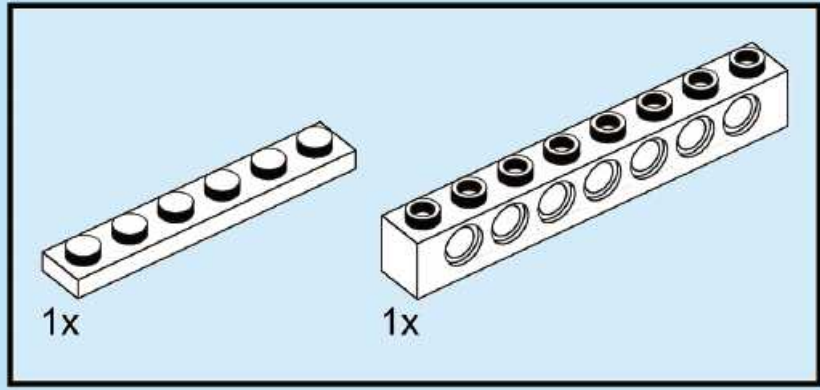


2x

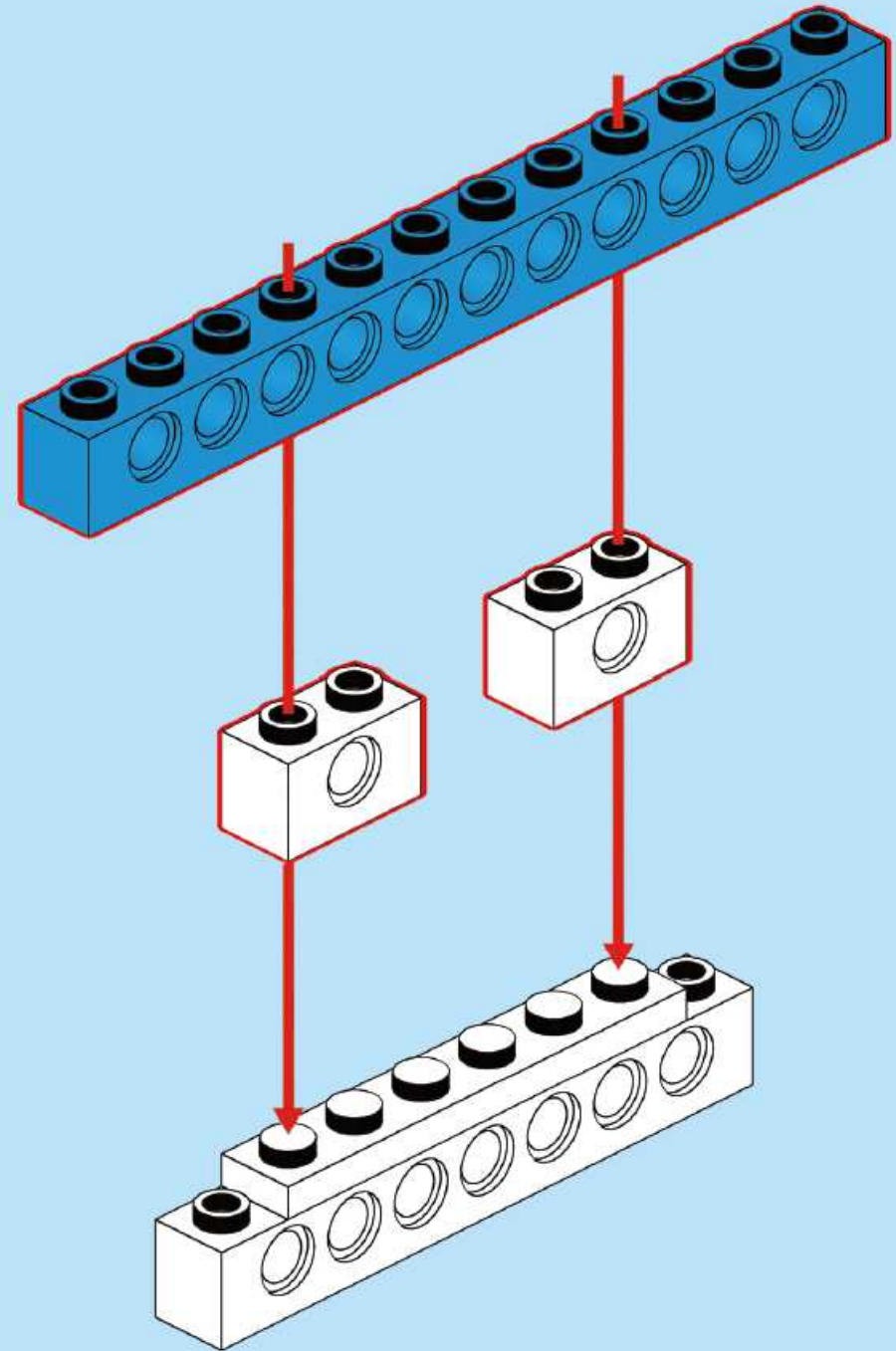
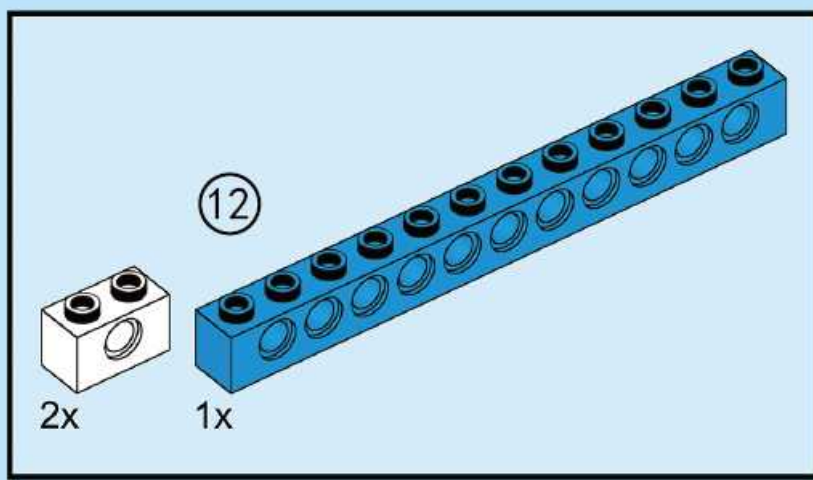
This inset shows a grey axle of length 3 being inserted into the center hole of a grey gear of size 24. A red arrow points to the axle's end. The number '2x' indicates that two such gear-axle assemblies are required.



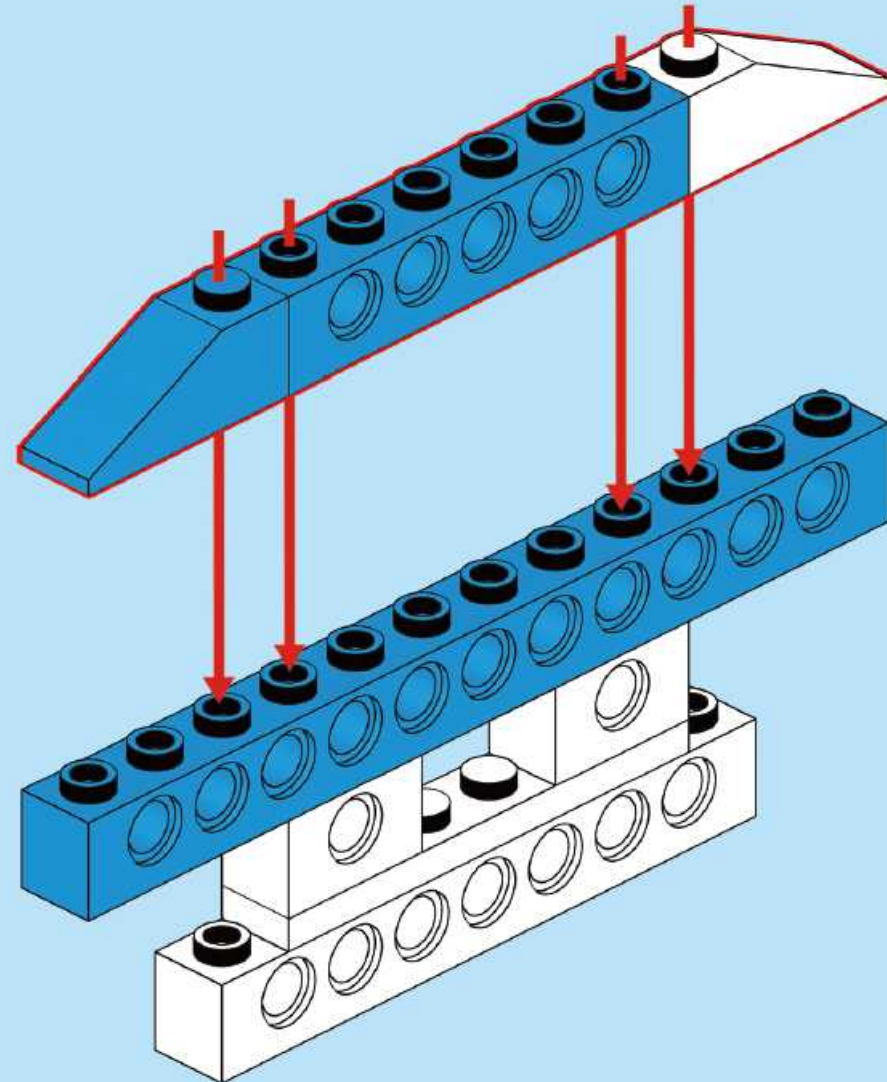
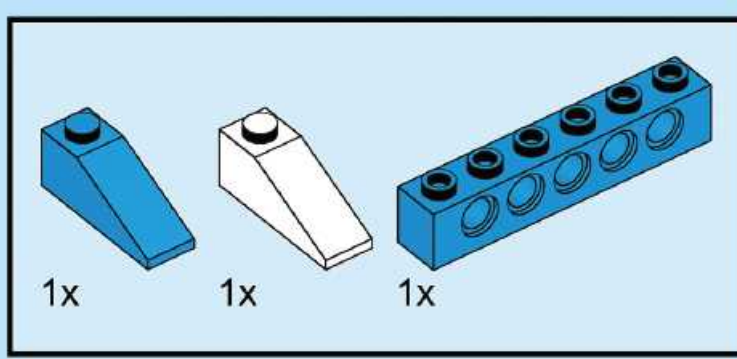
43



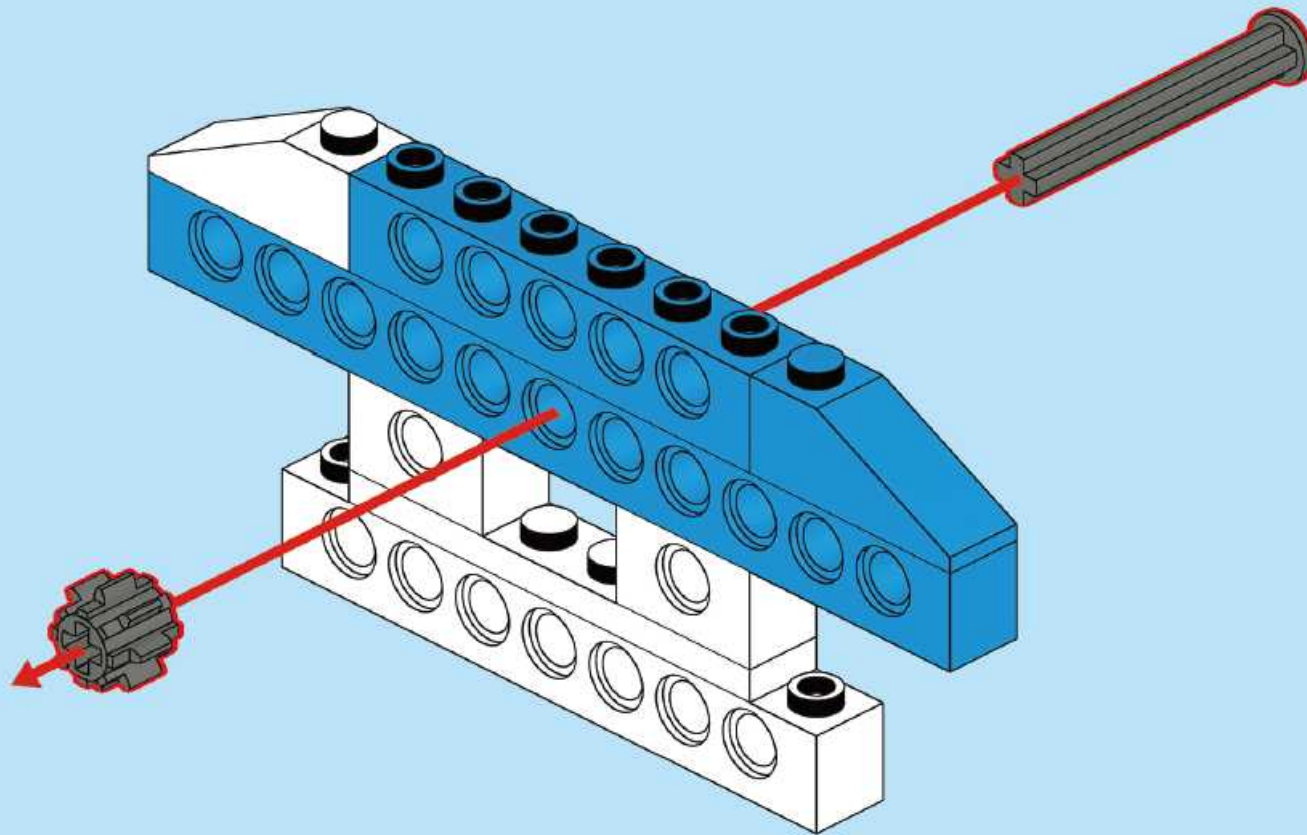
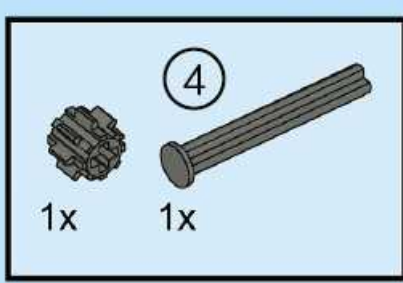
44



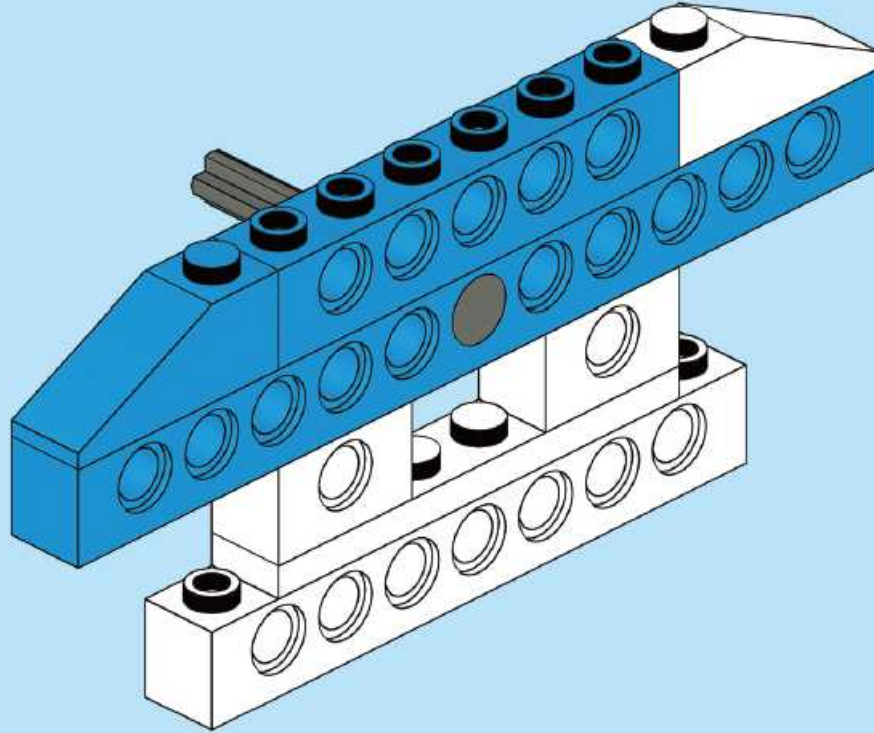
45

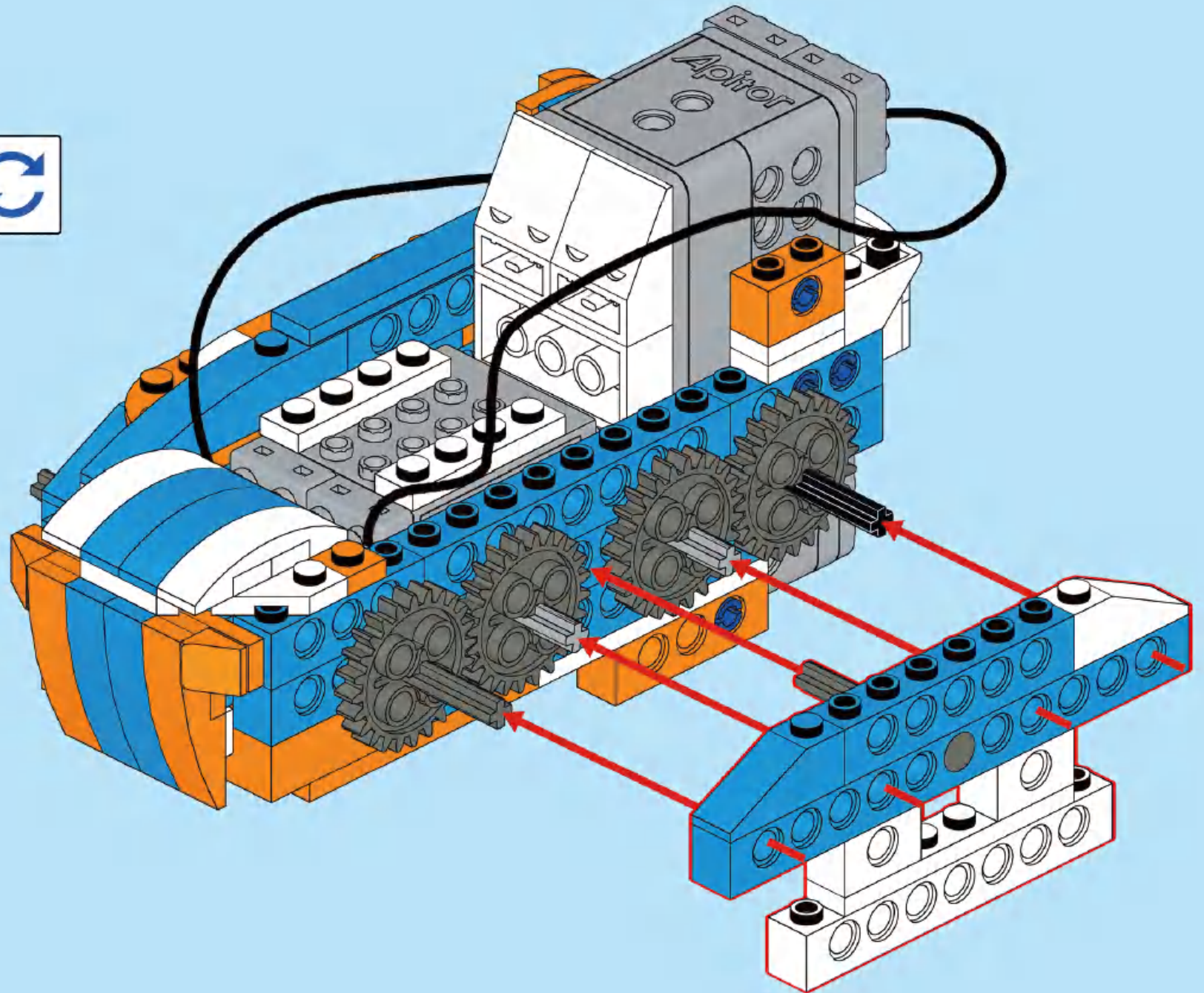


46

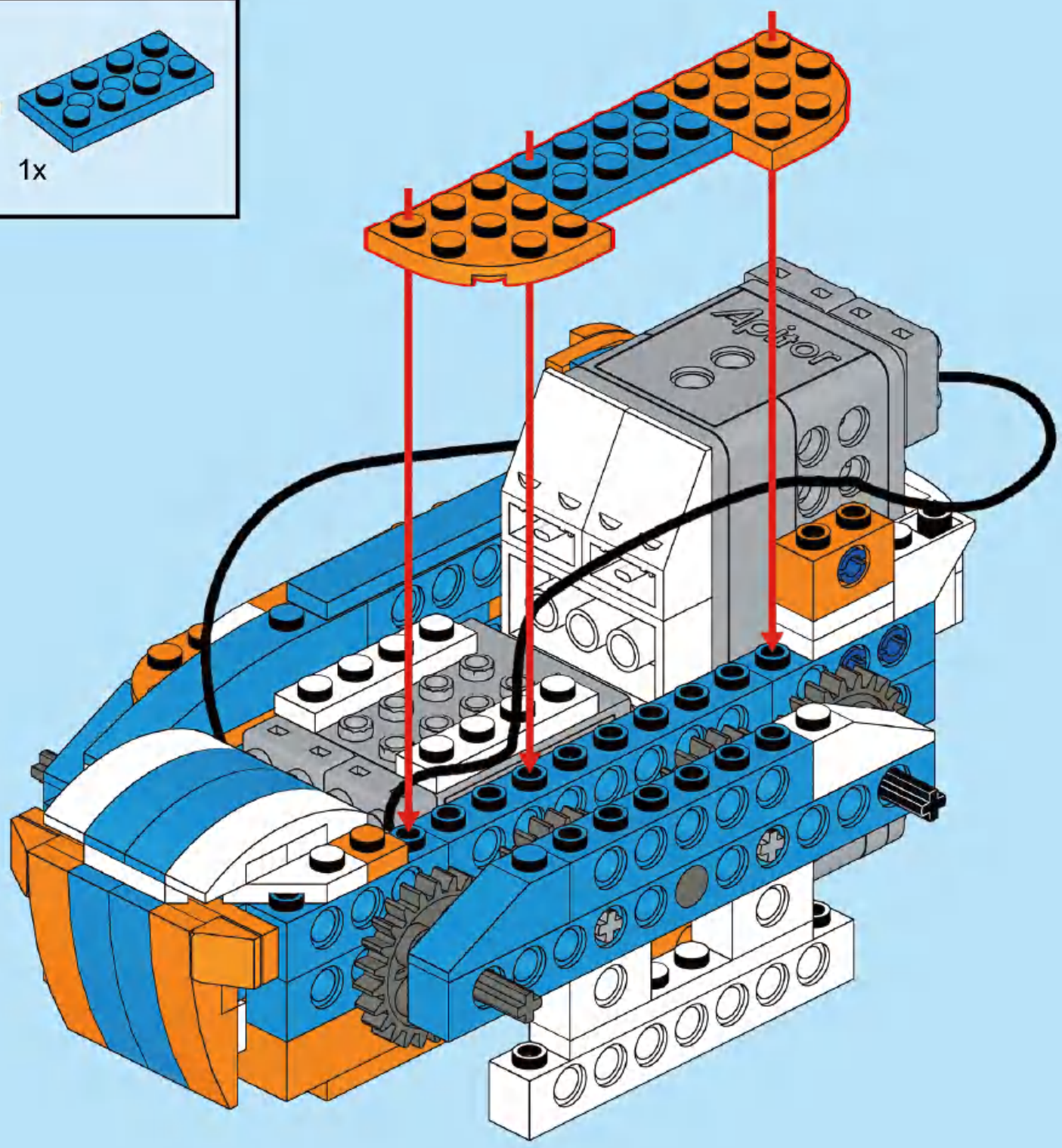
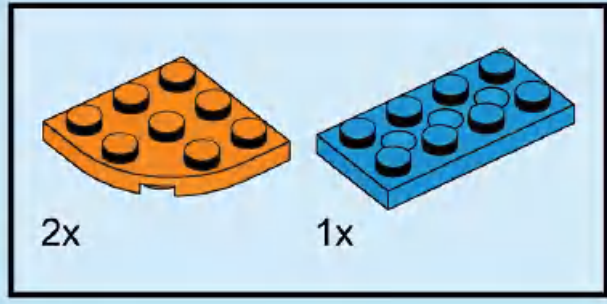


47

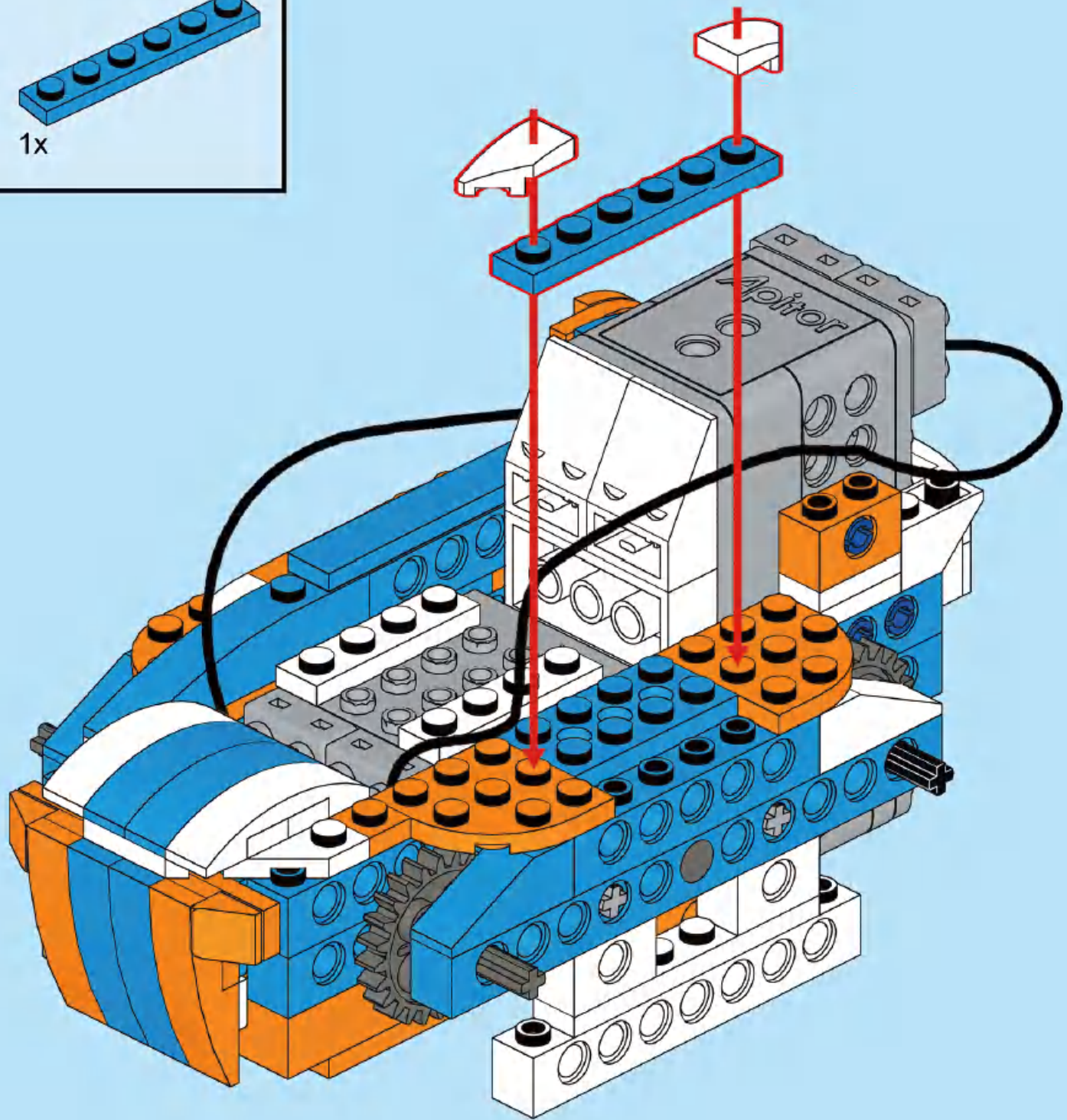
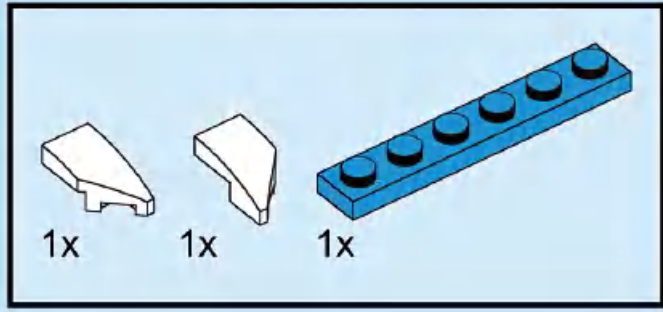




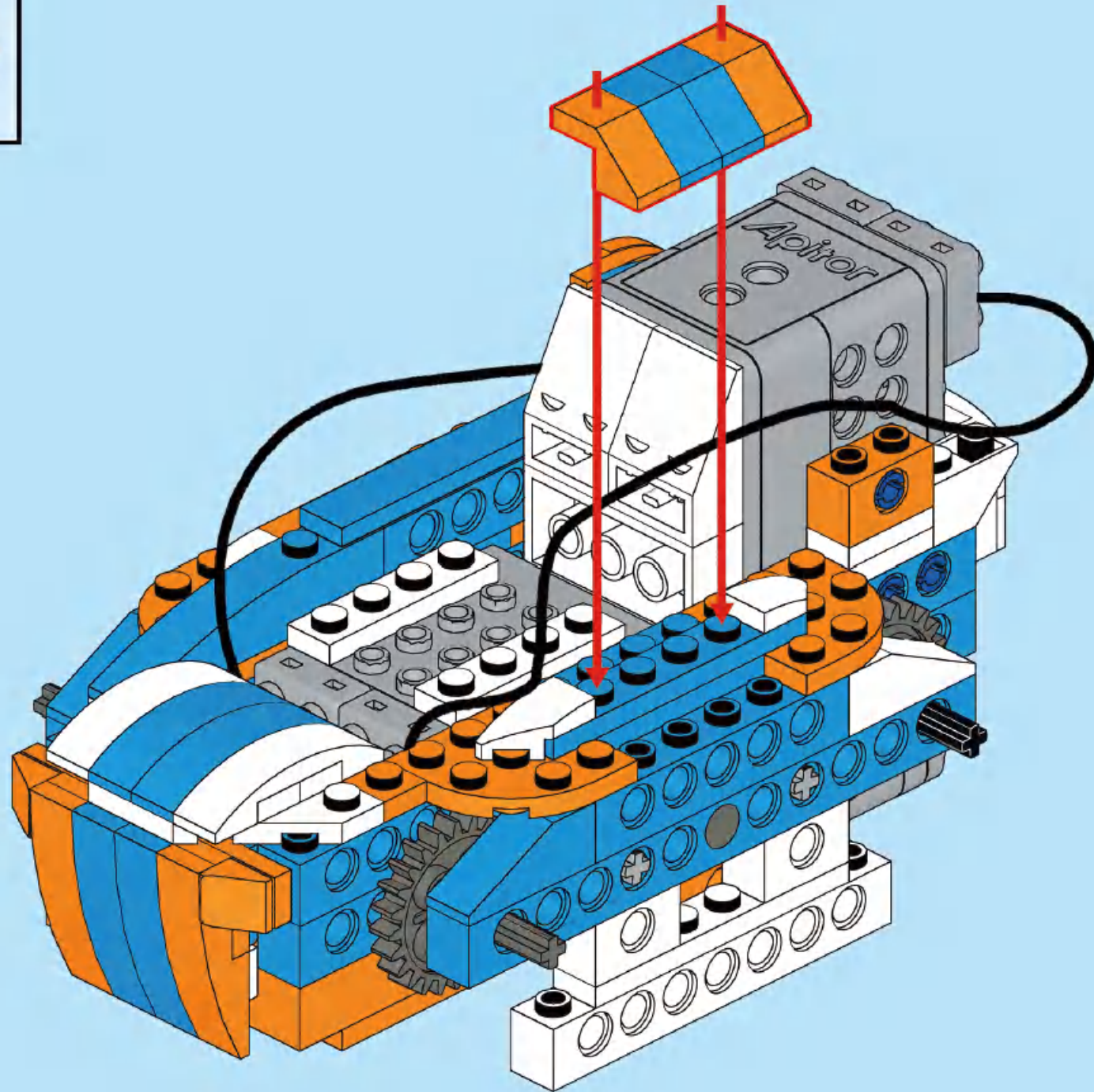
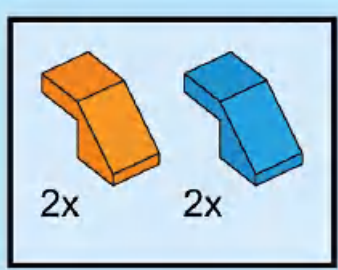
49



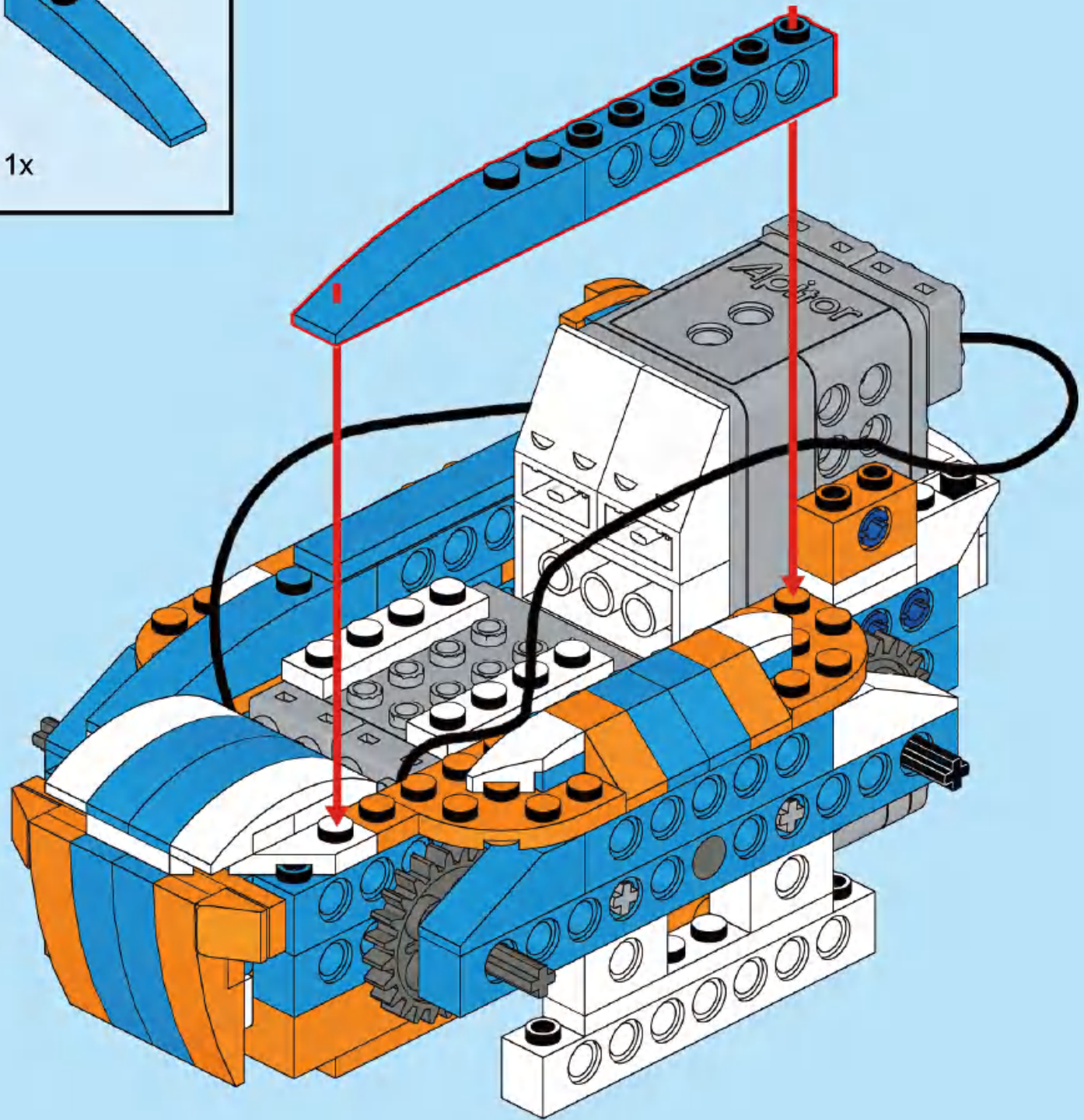
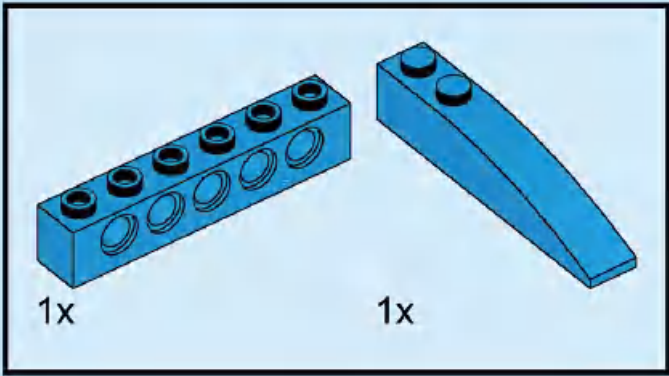
50



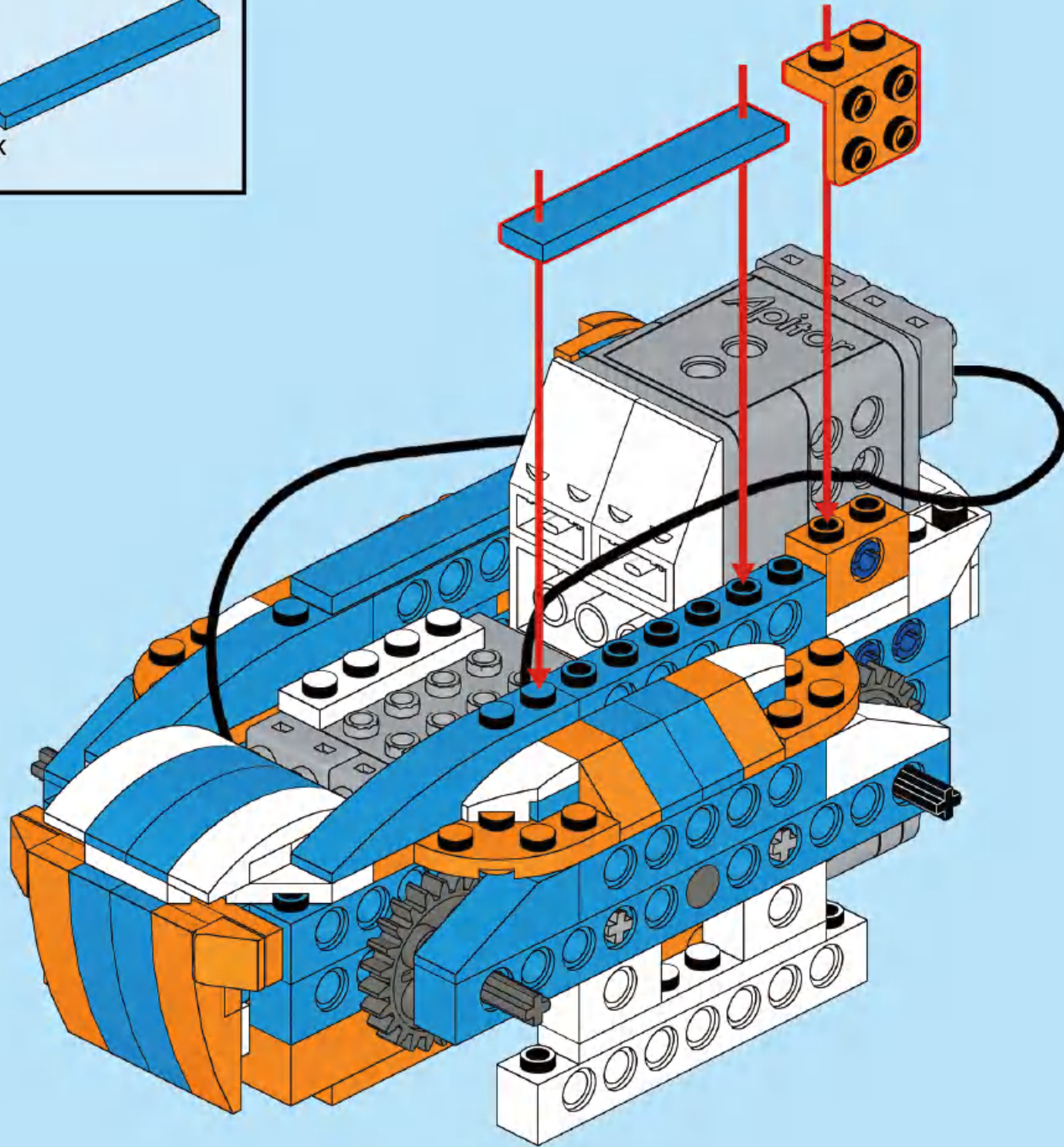
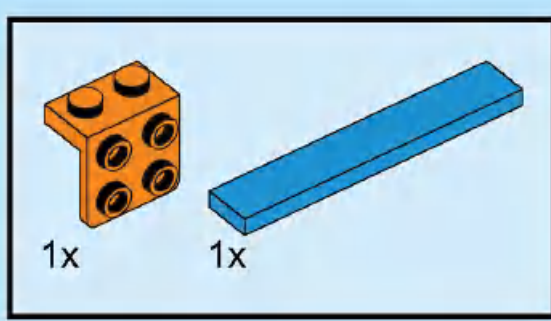
51



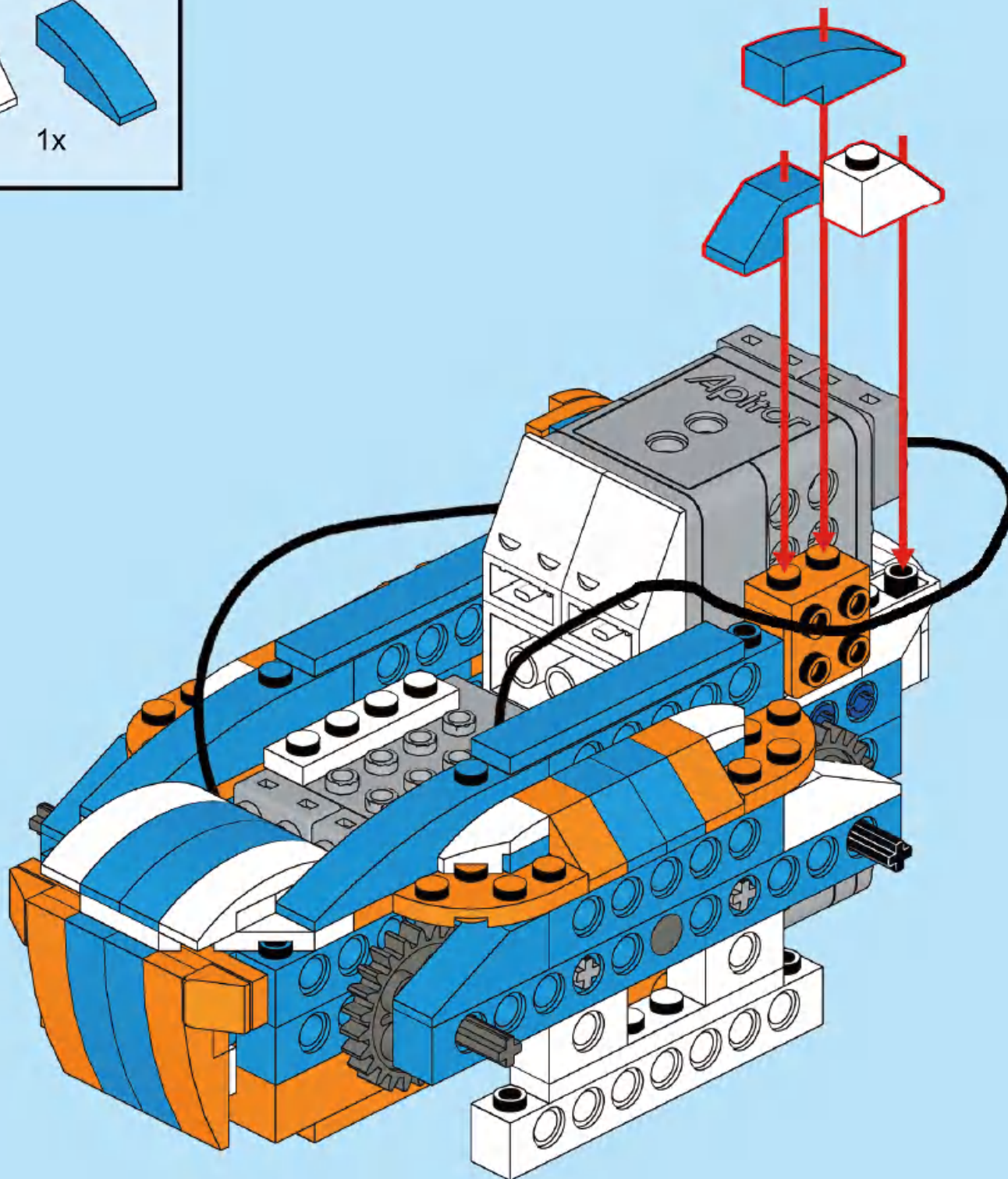
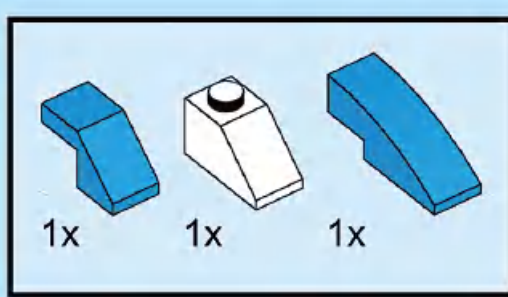
52



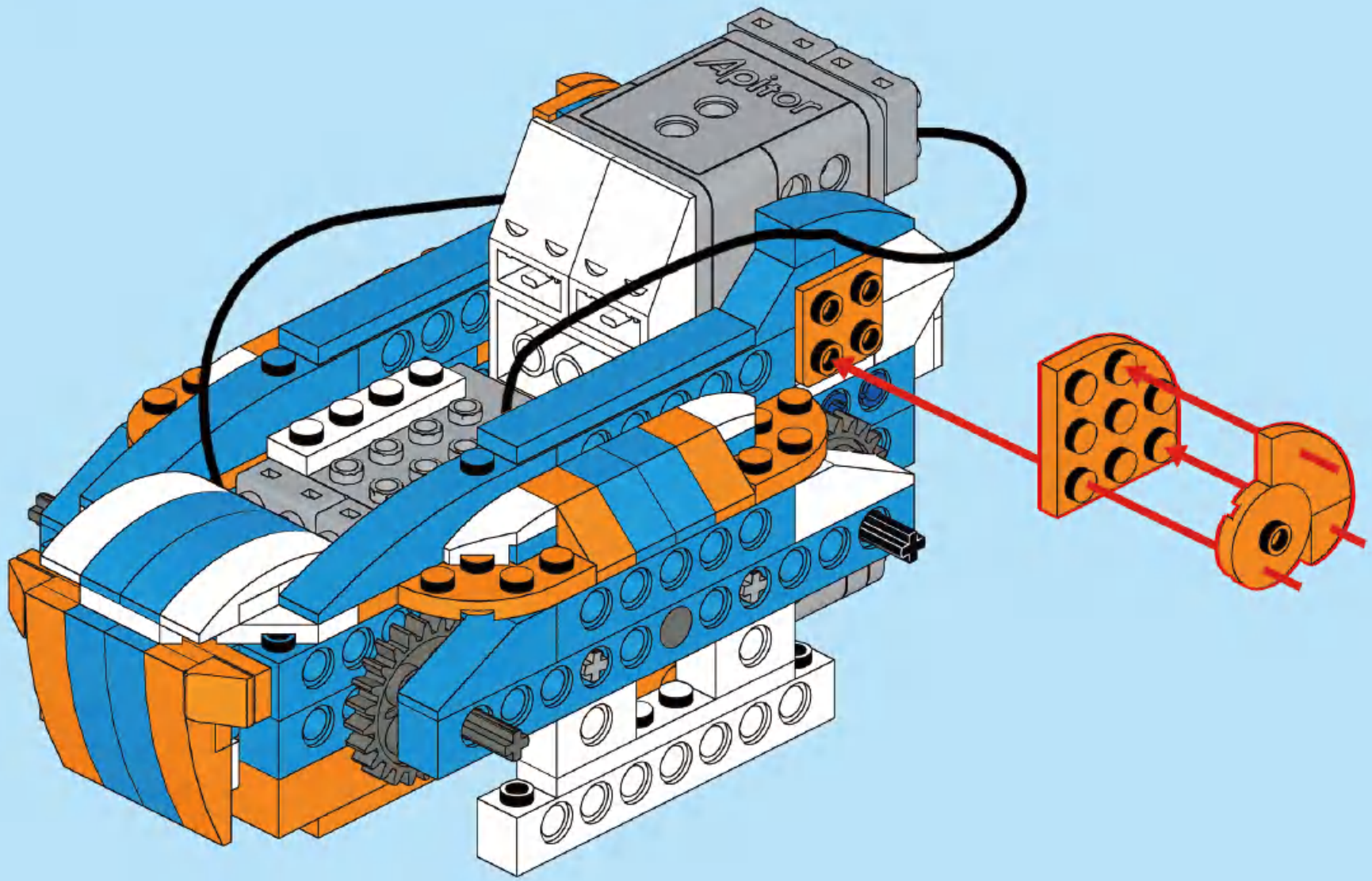
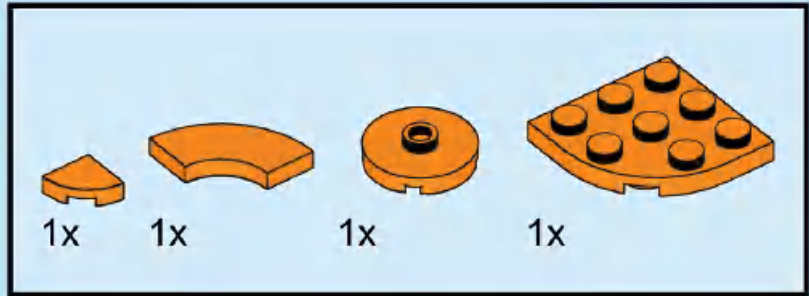
53



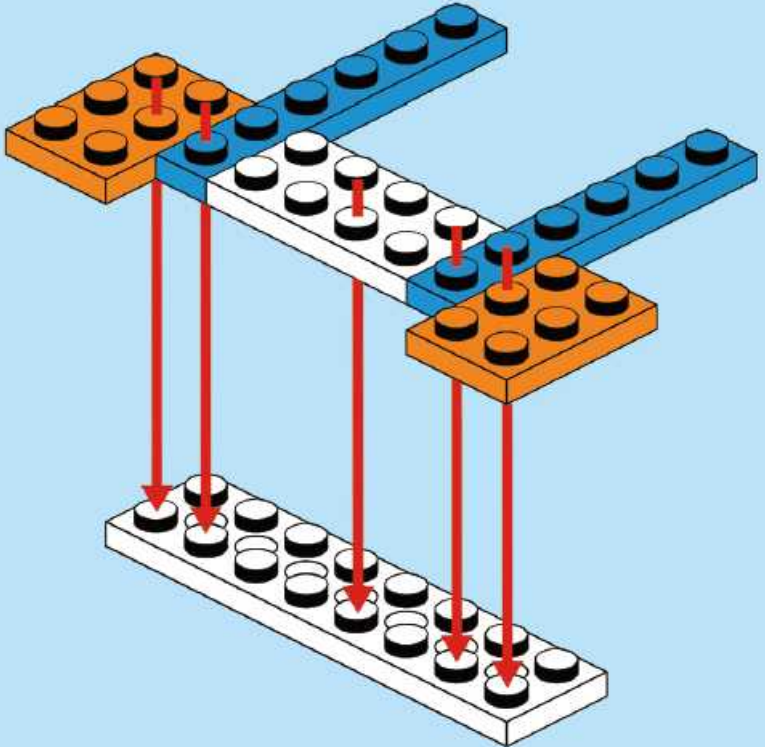
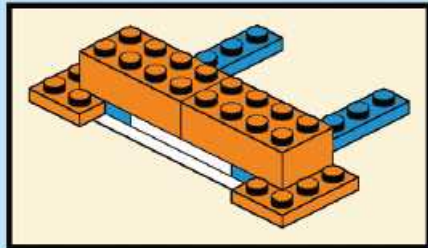
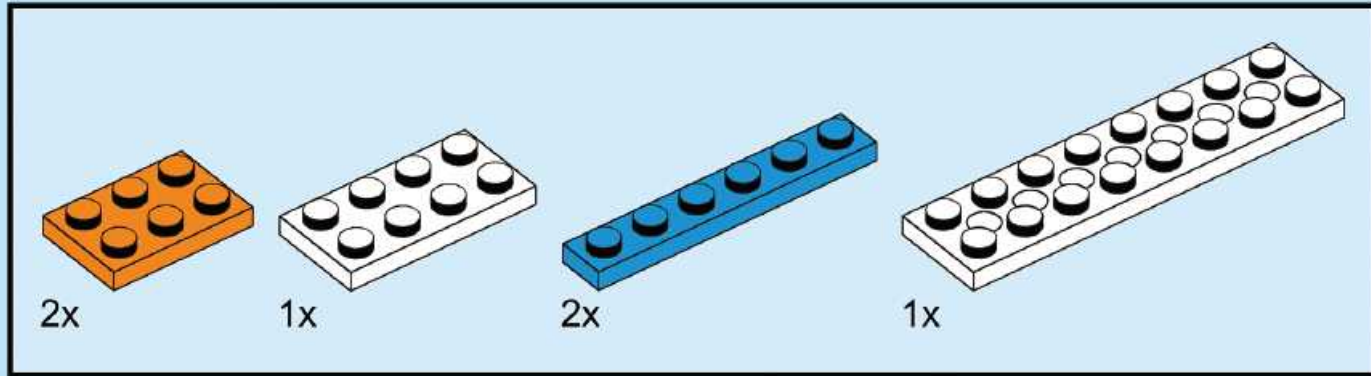
54



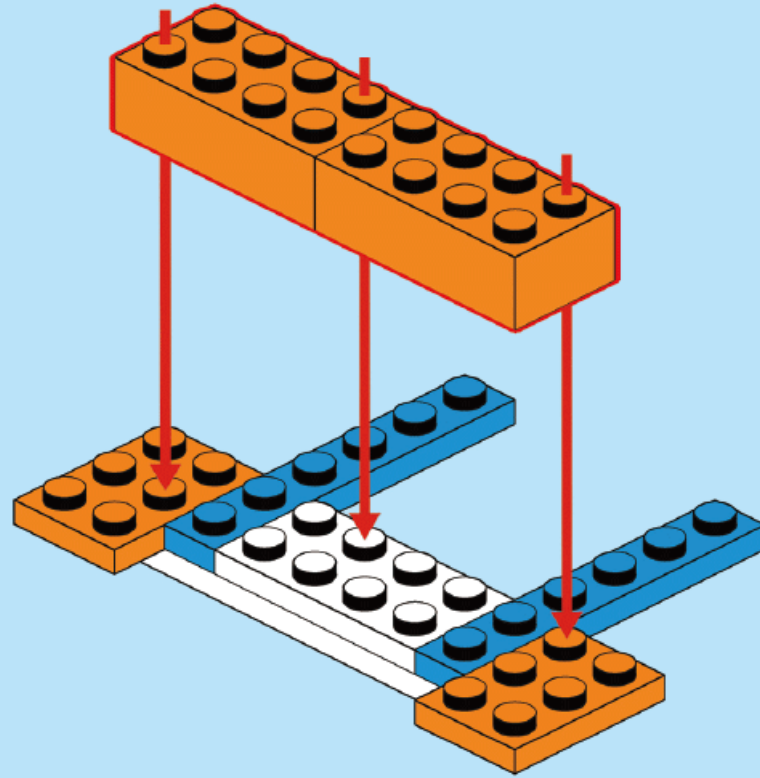
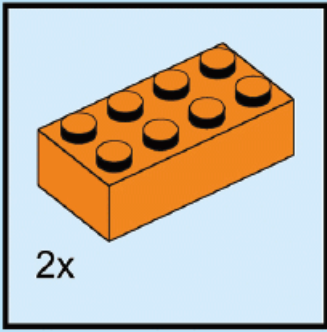
55

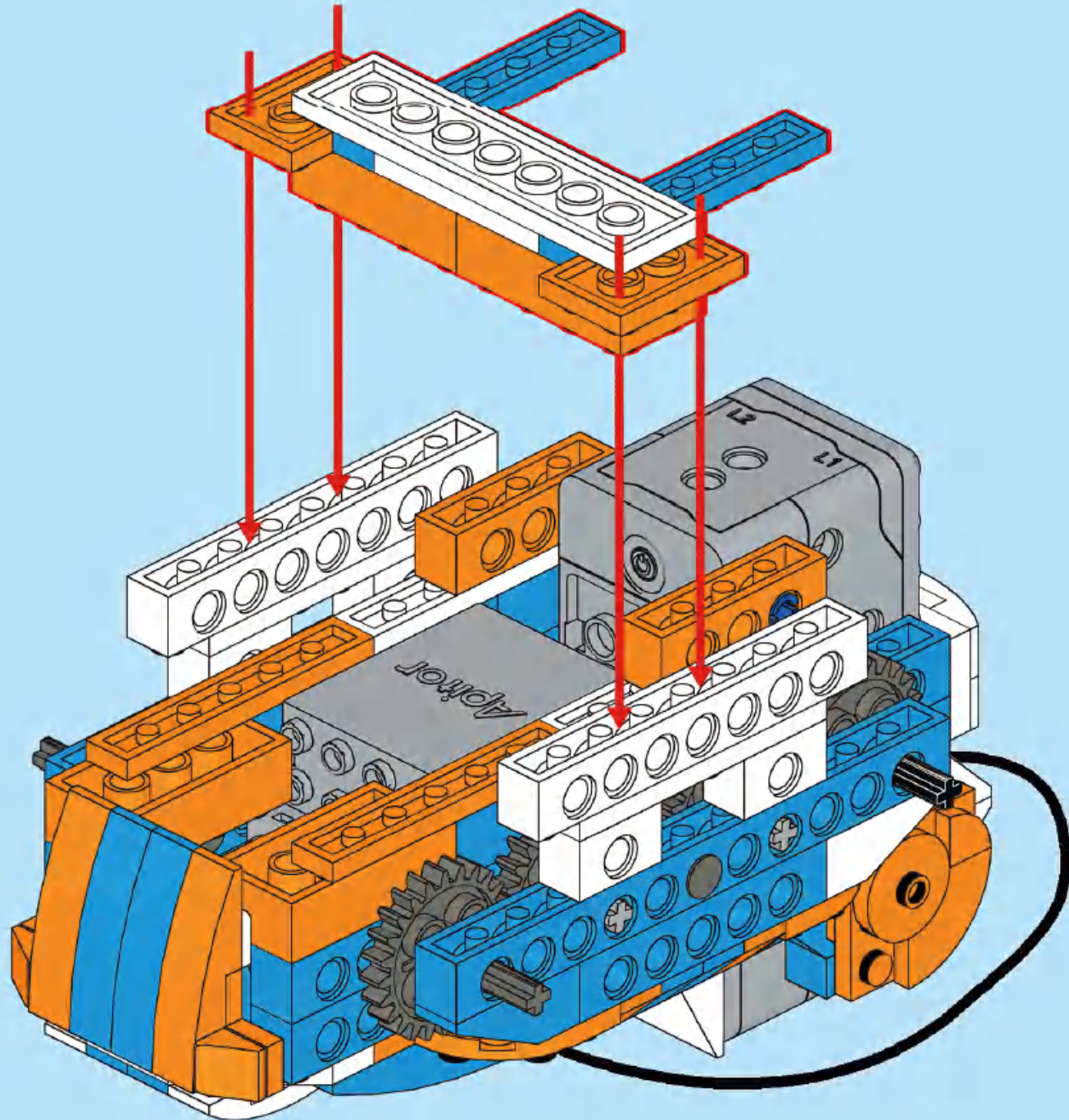


56

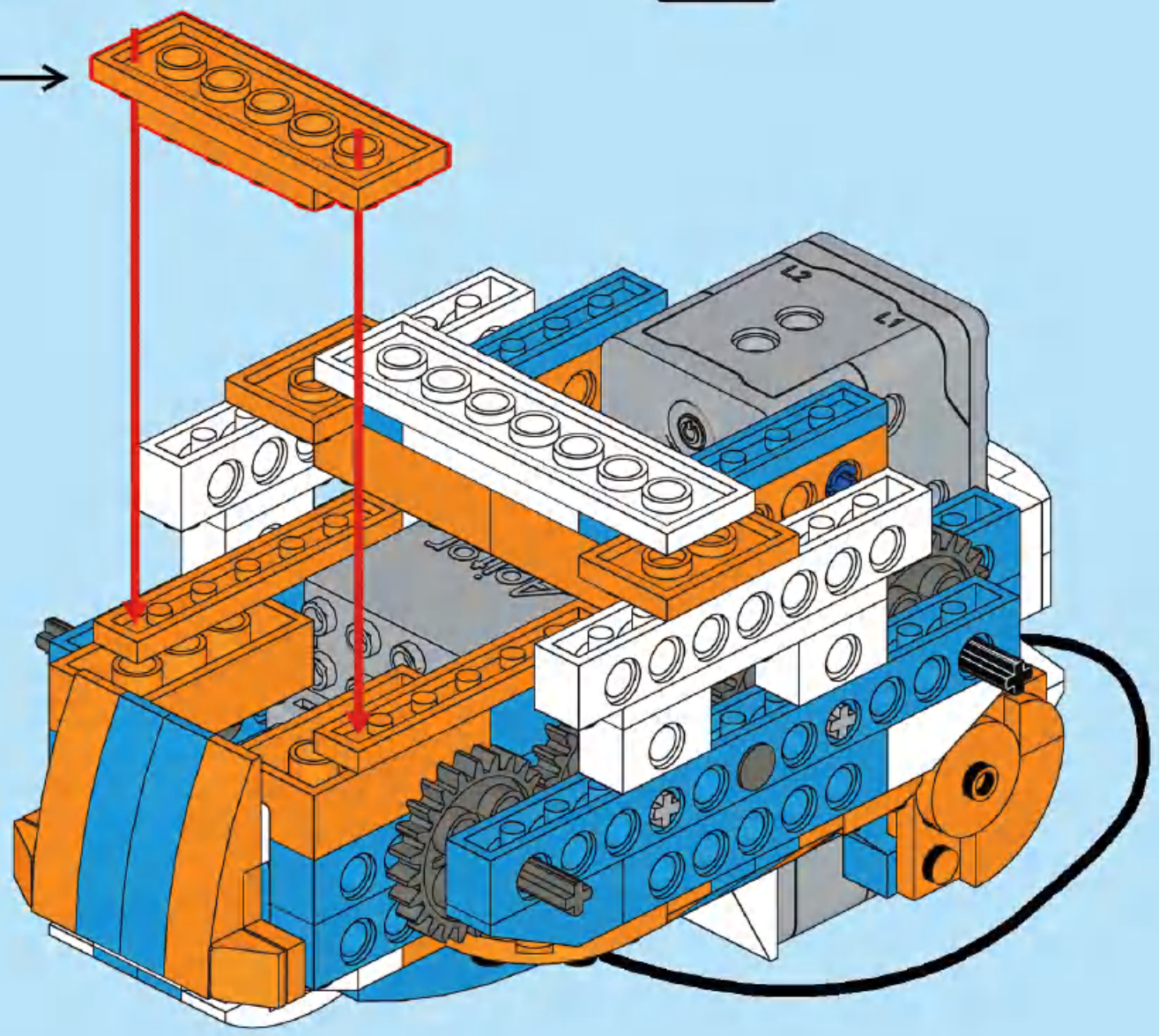
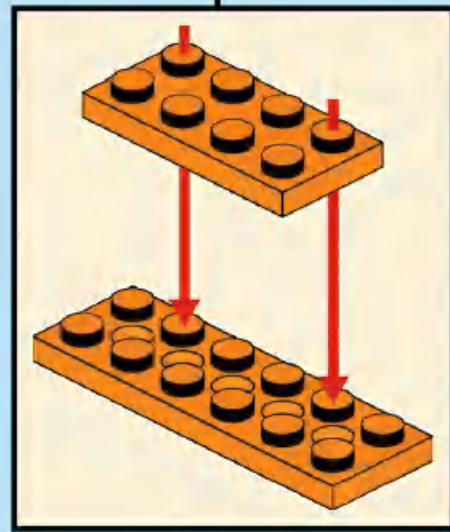
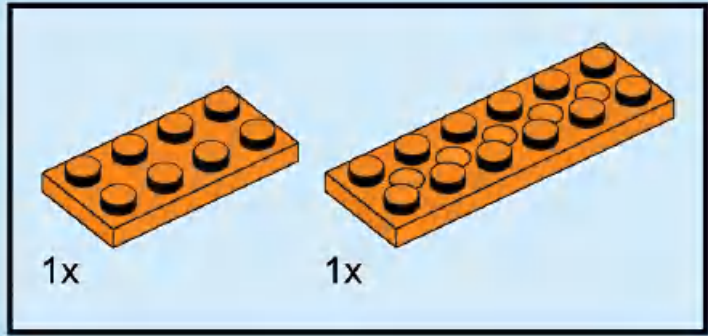


57

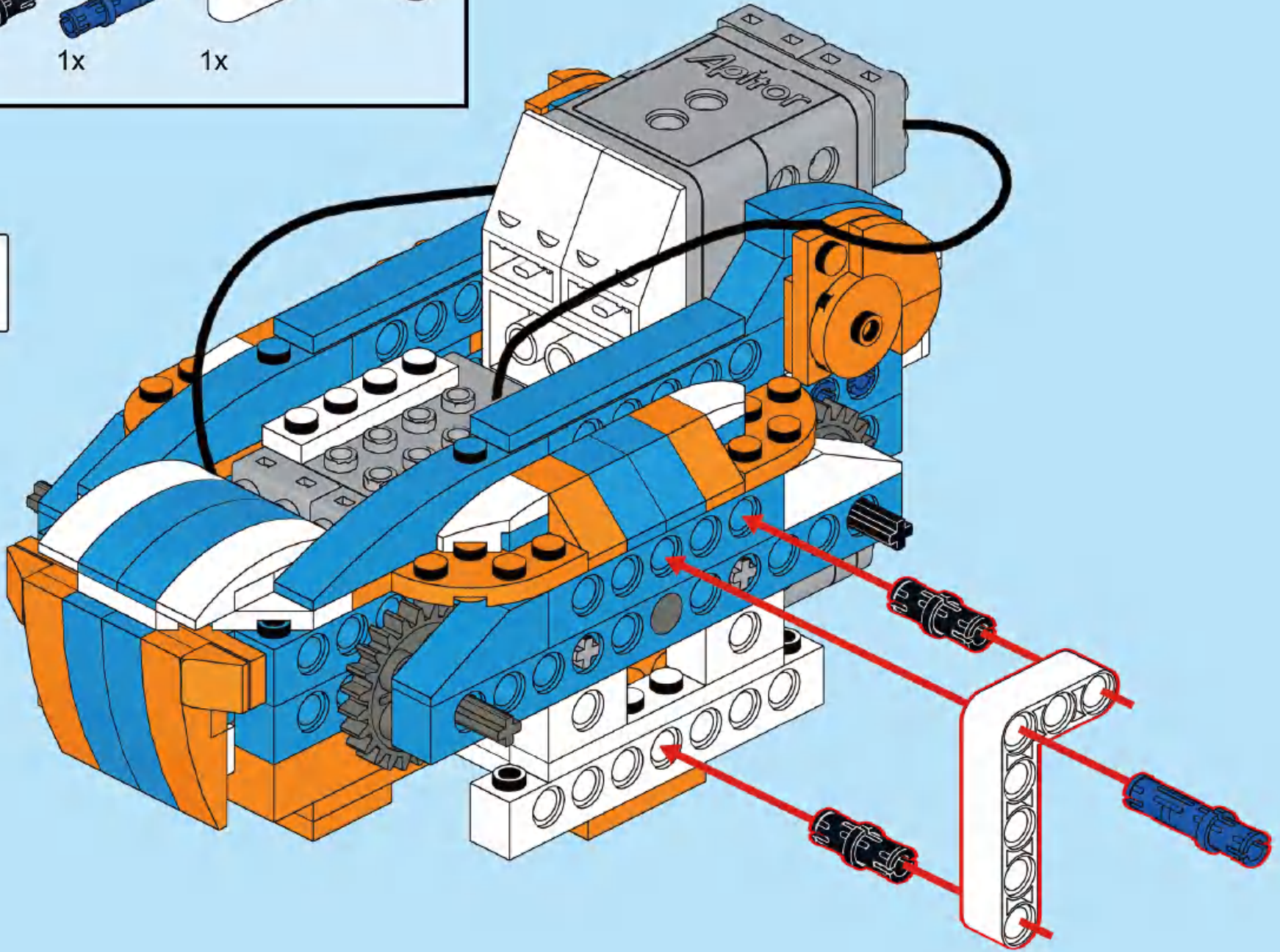
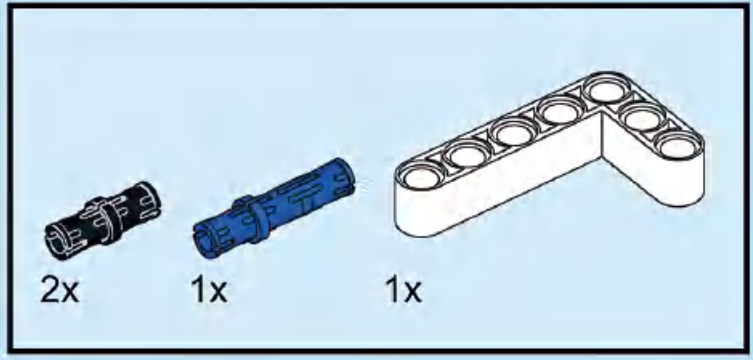




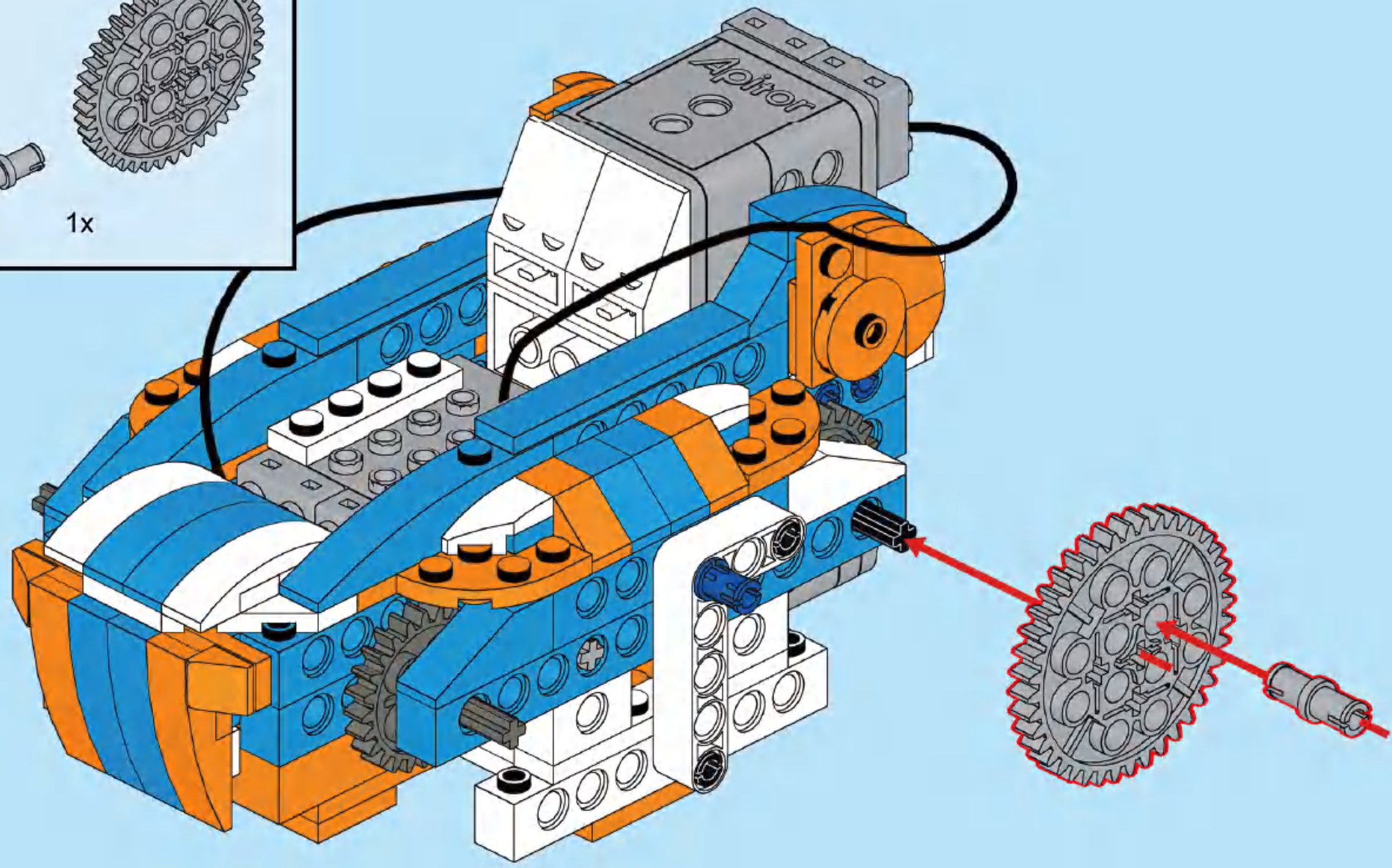
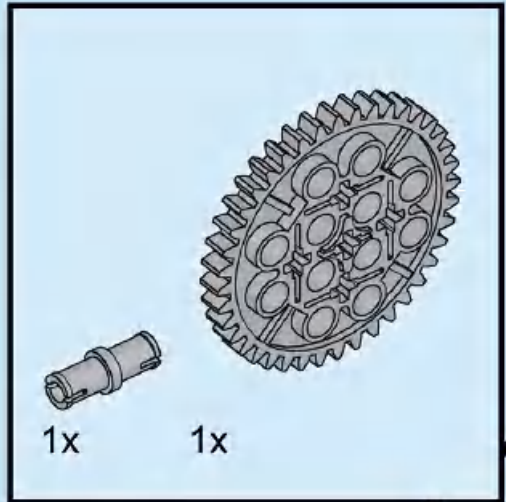
59



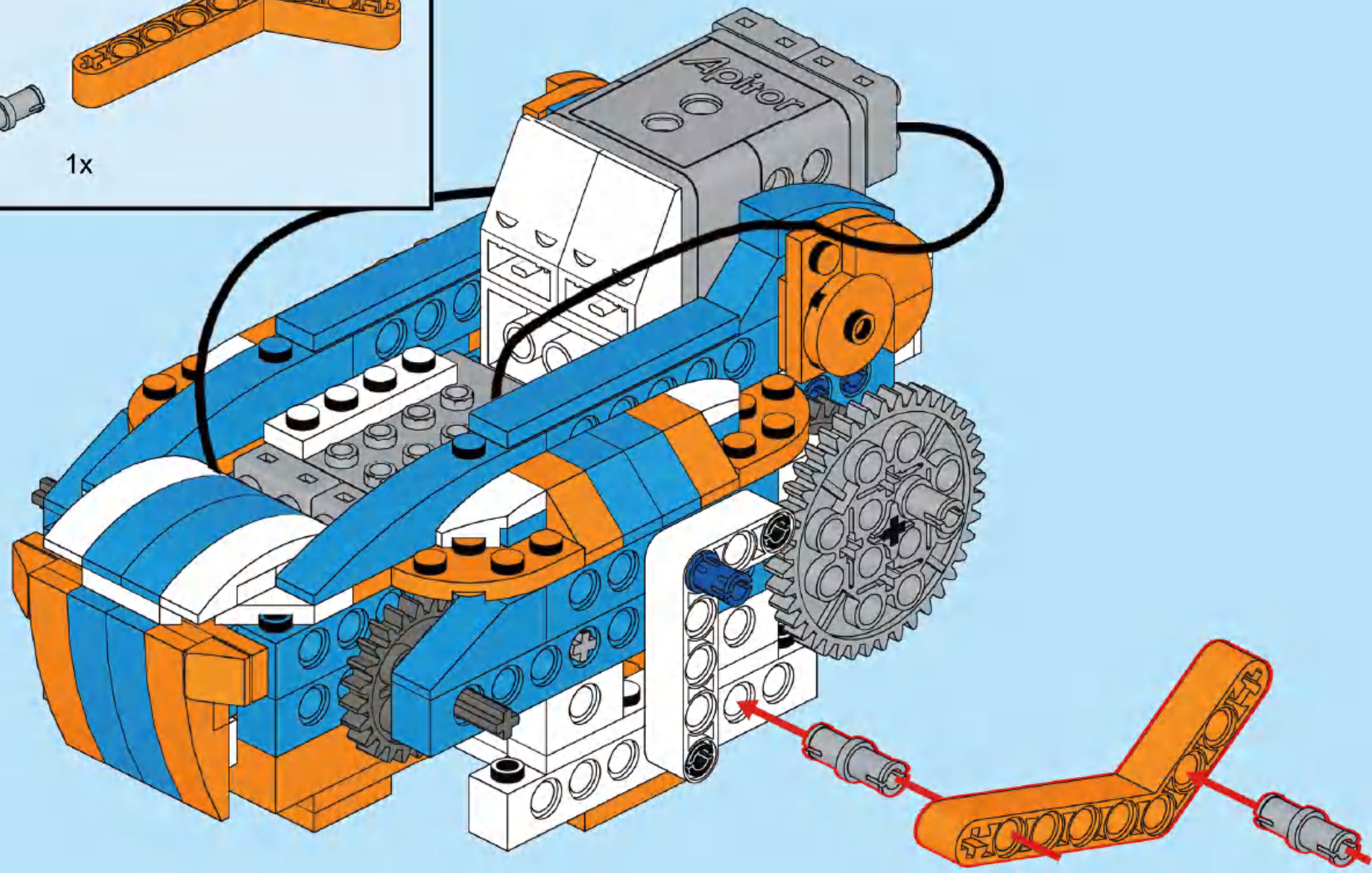
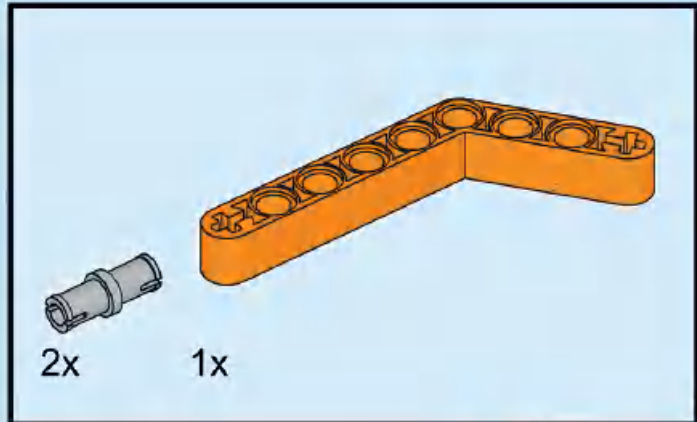
60



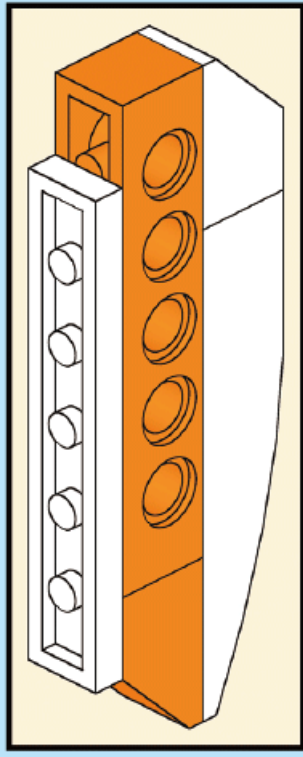
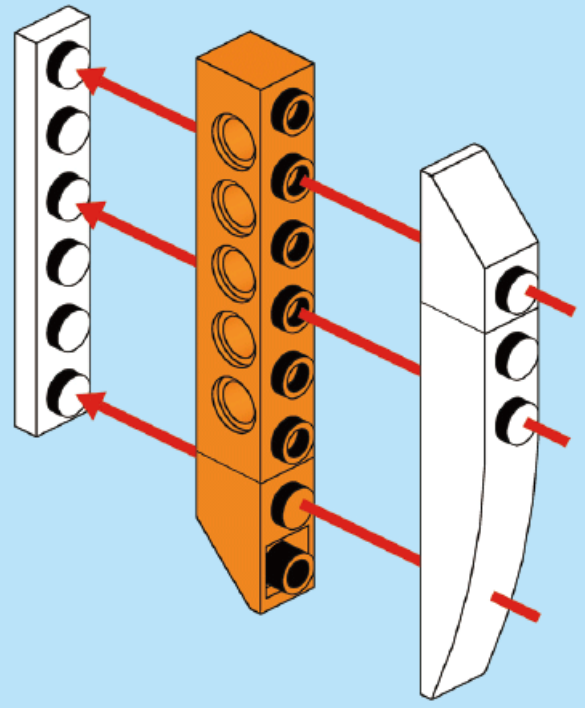
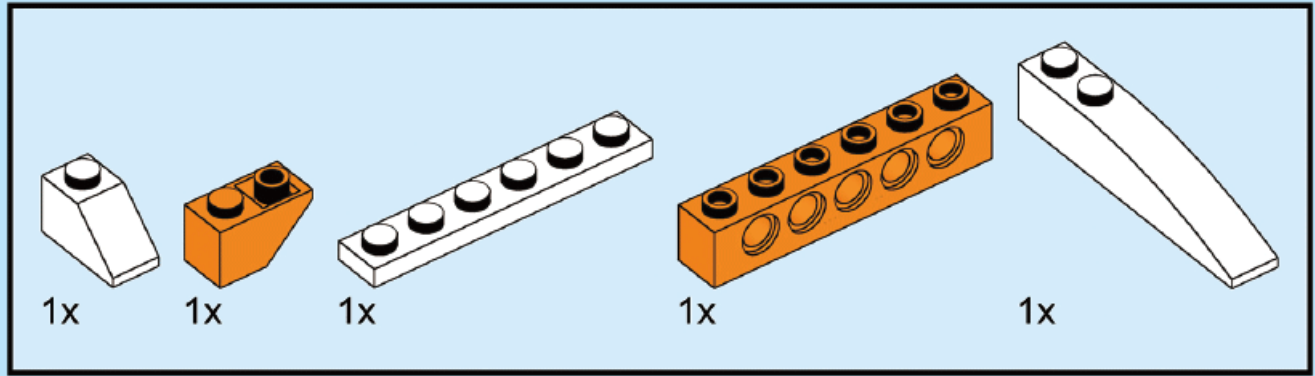
61

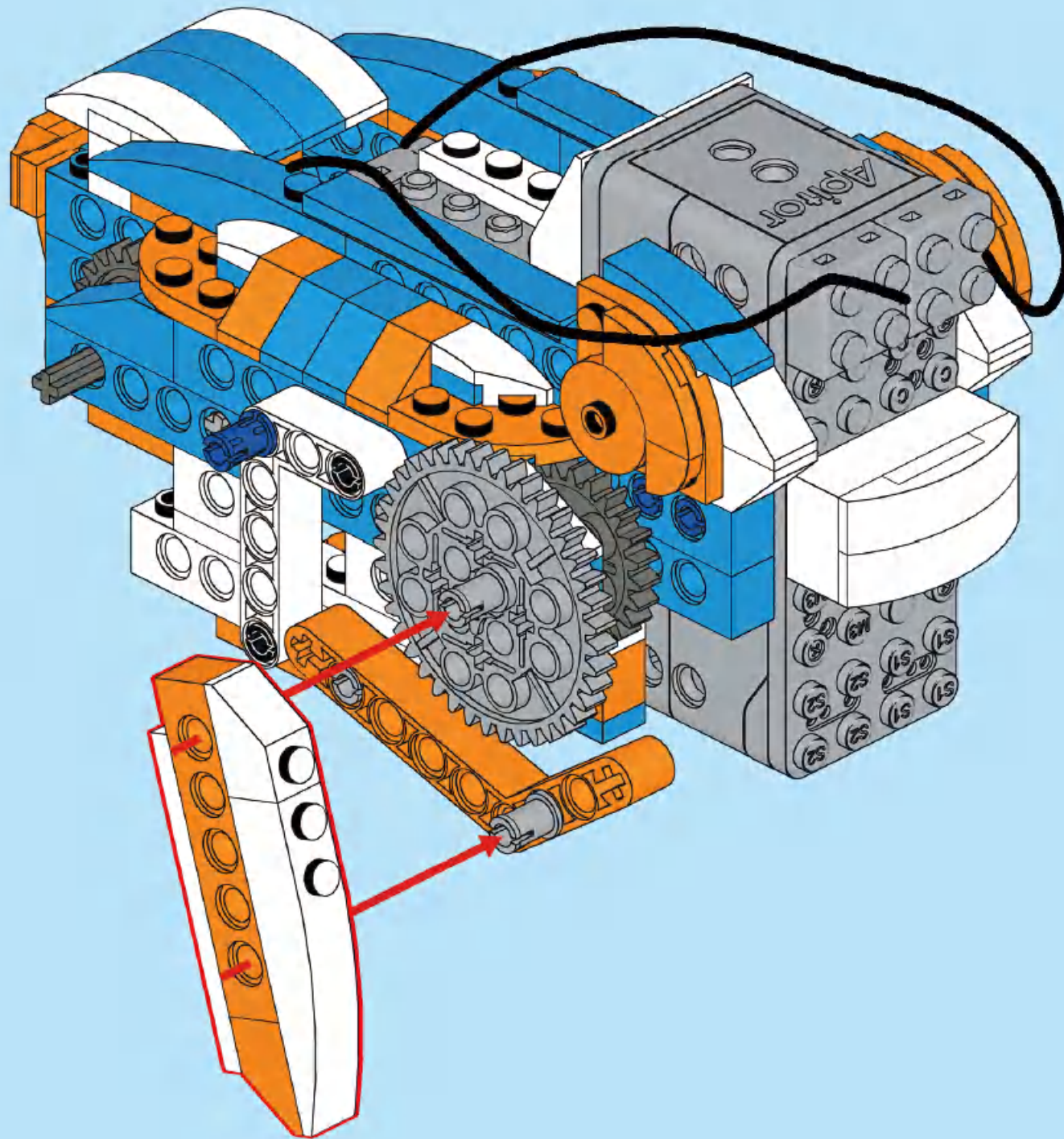


62

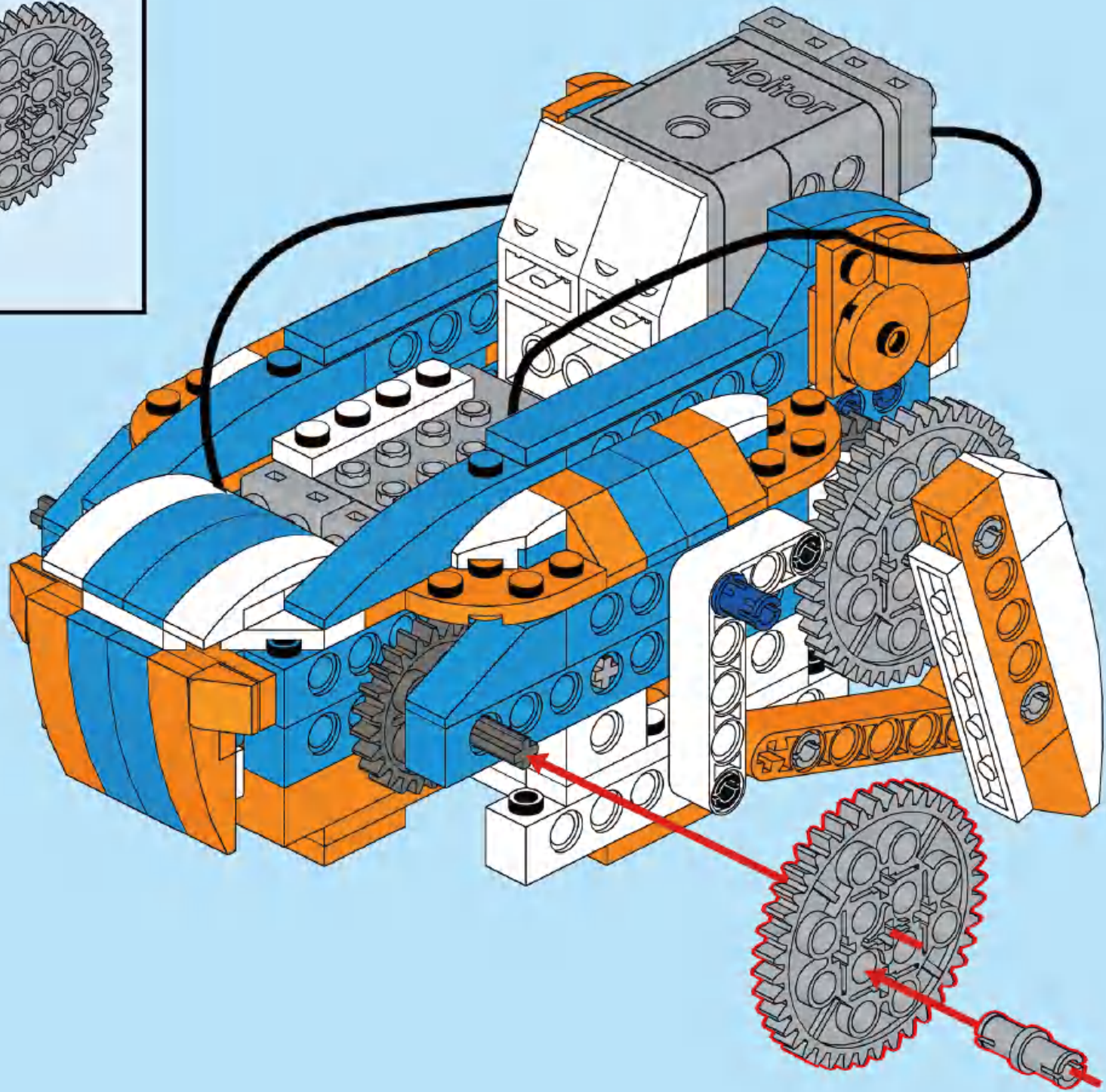
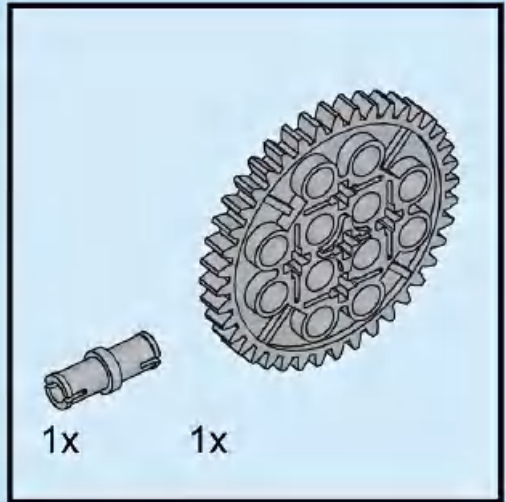


63

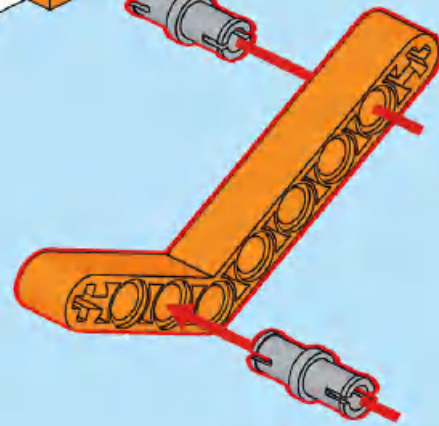
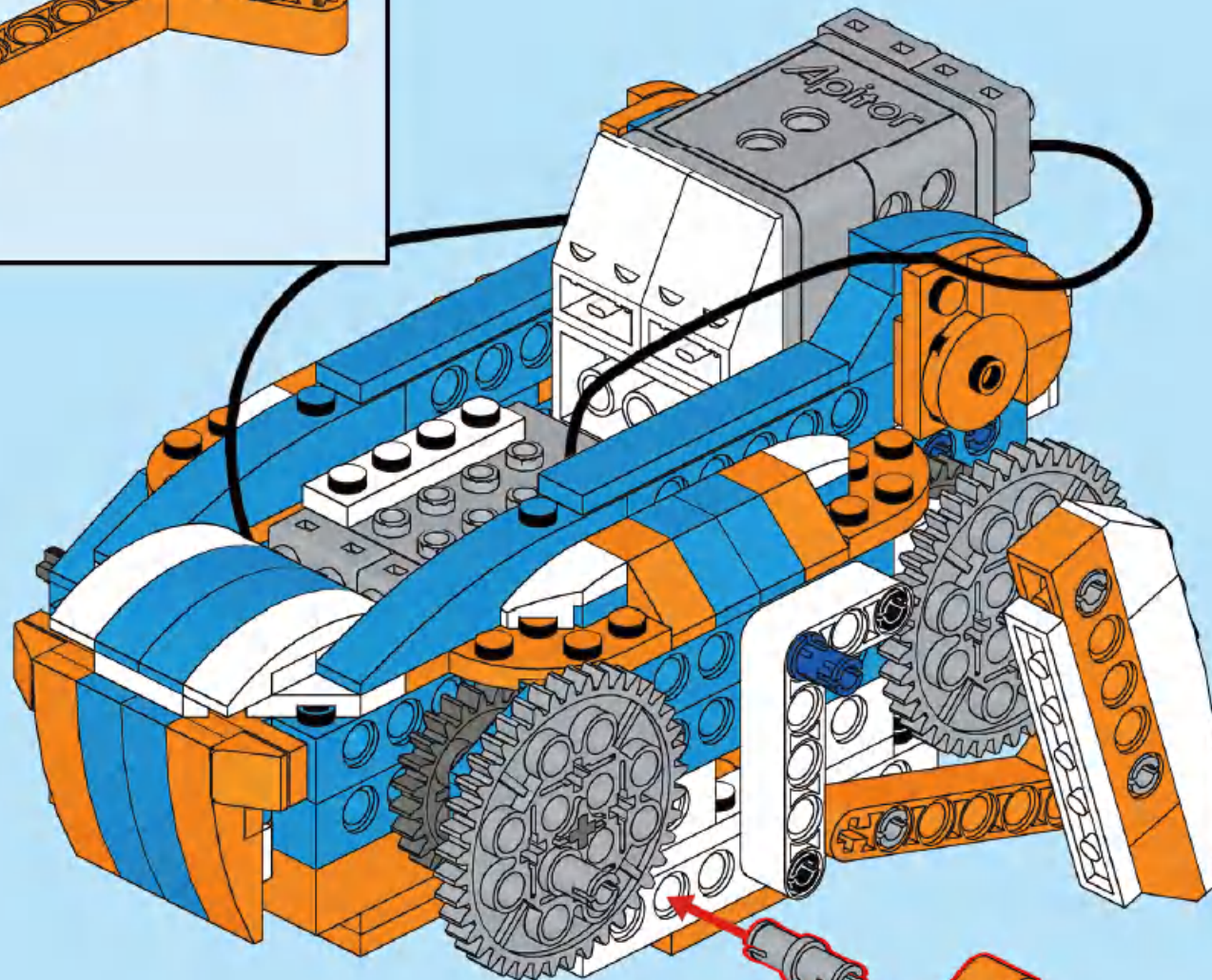
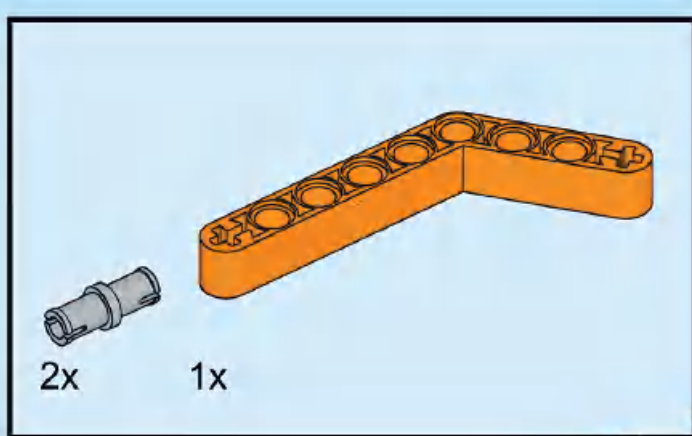




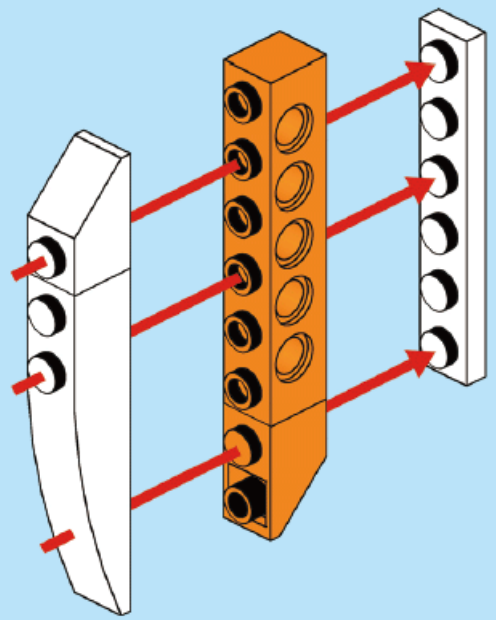
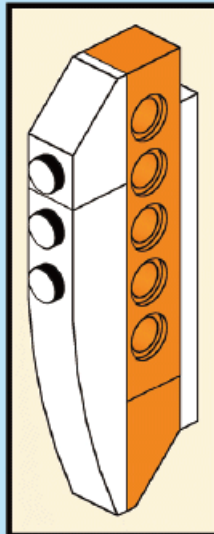
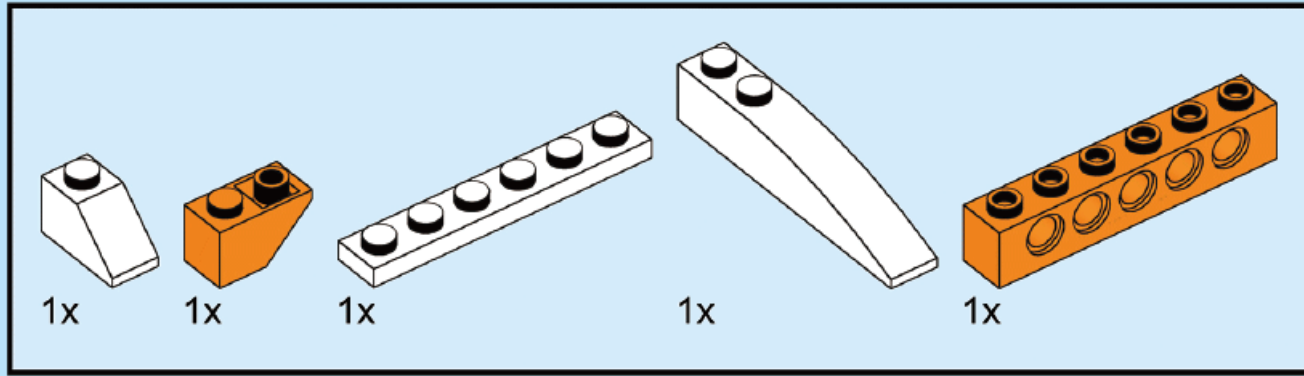
65

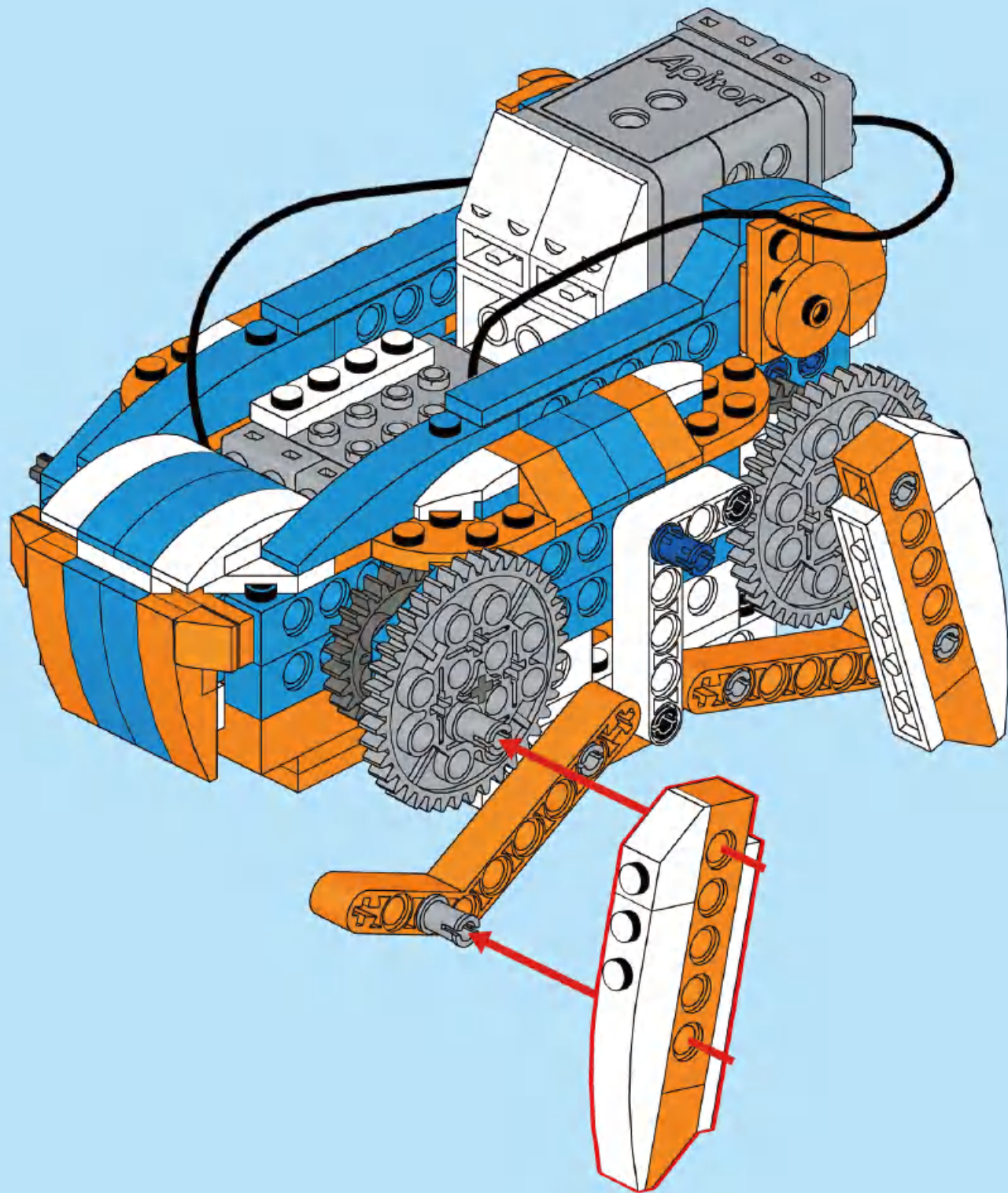


66

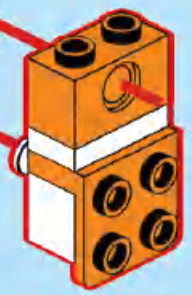
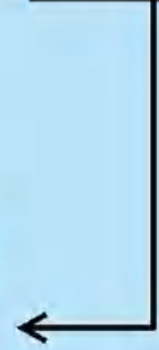
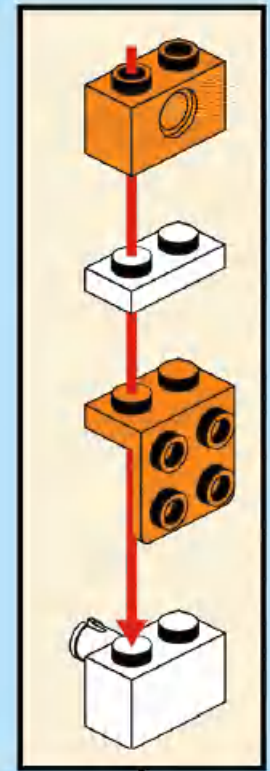
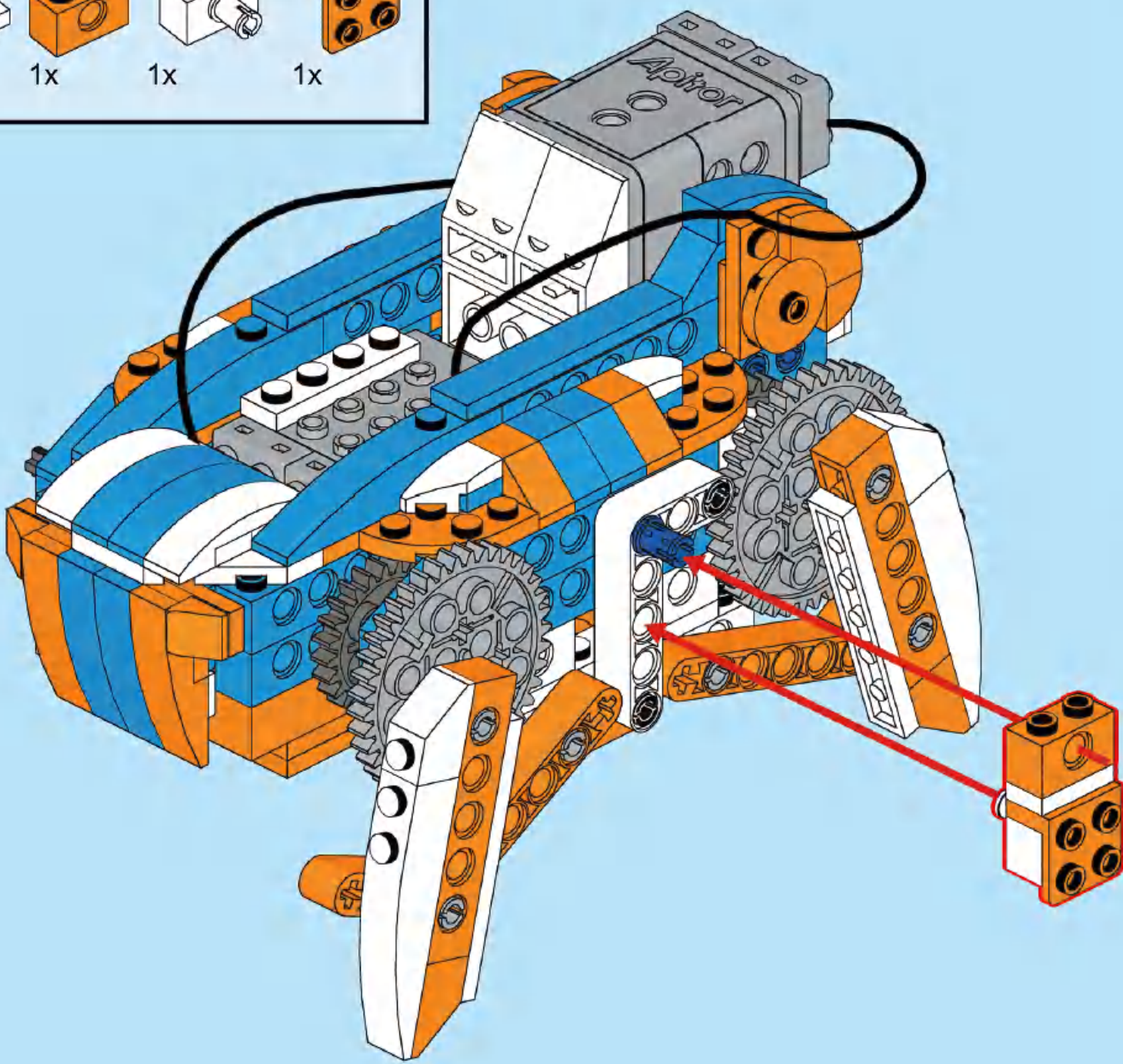
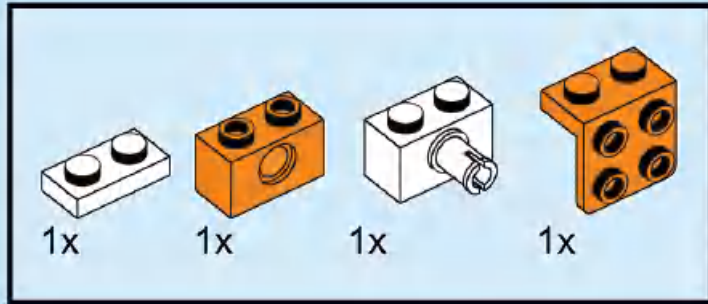


67

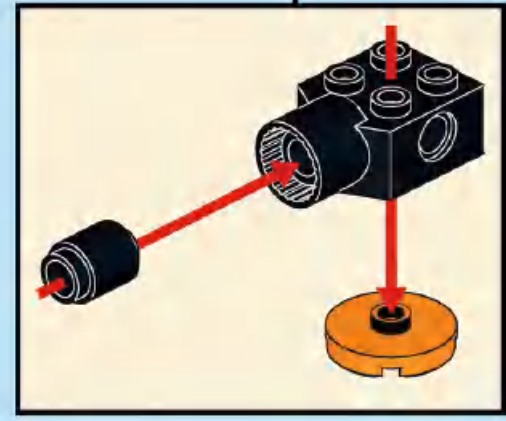
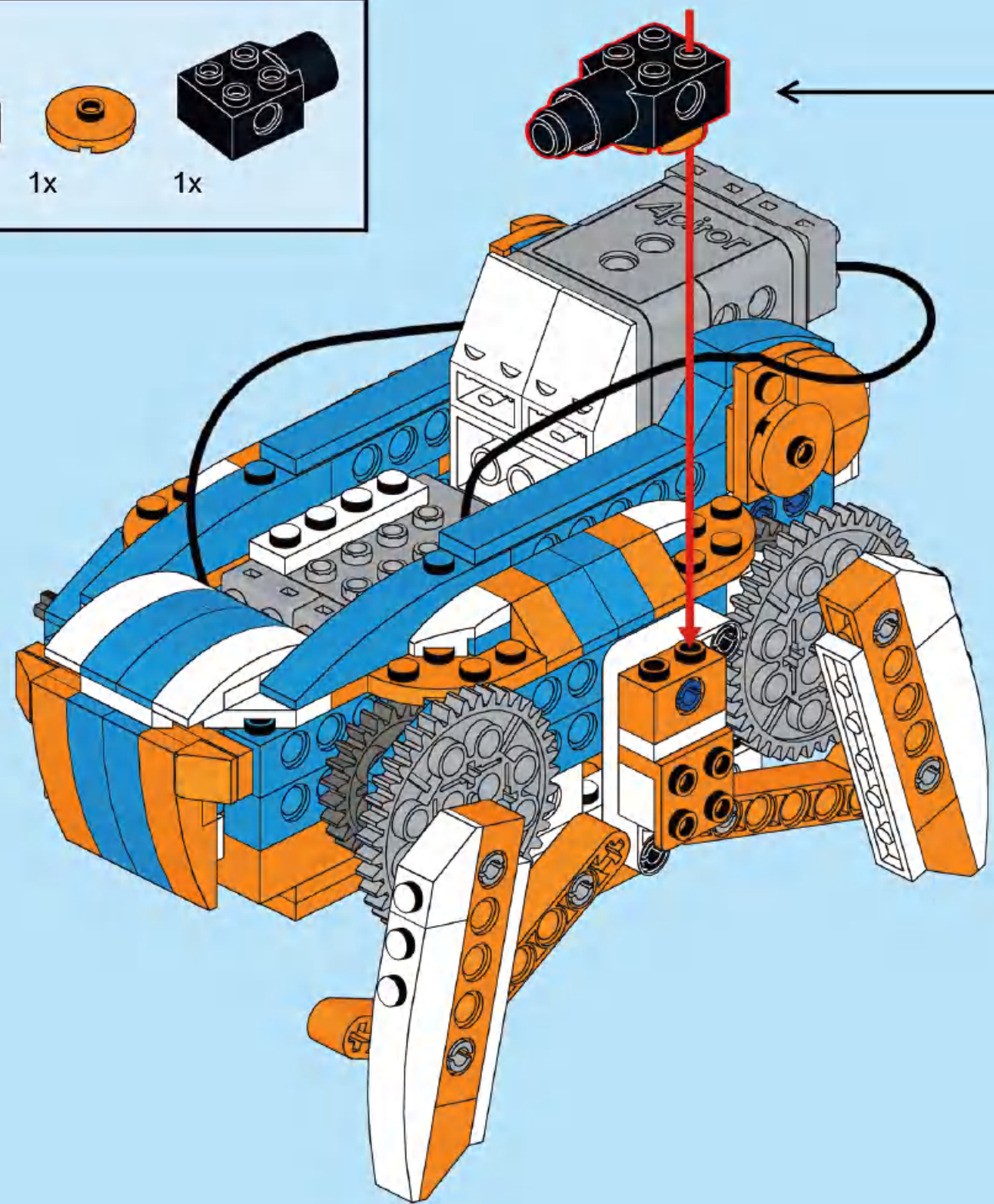
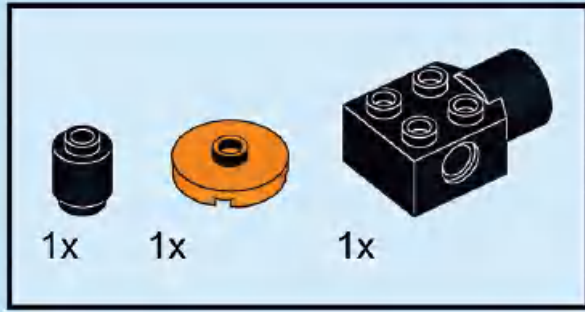




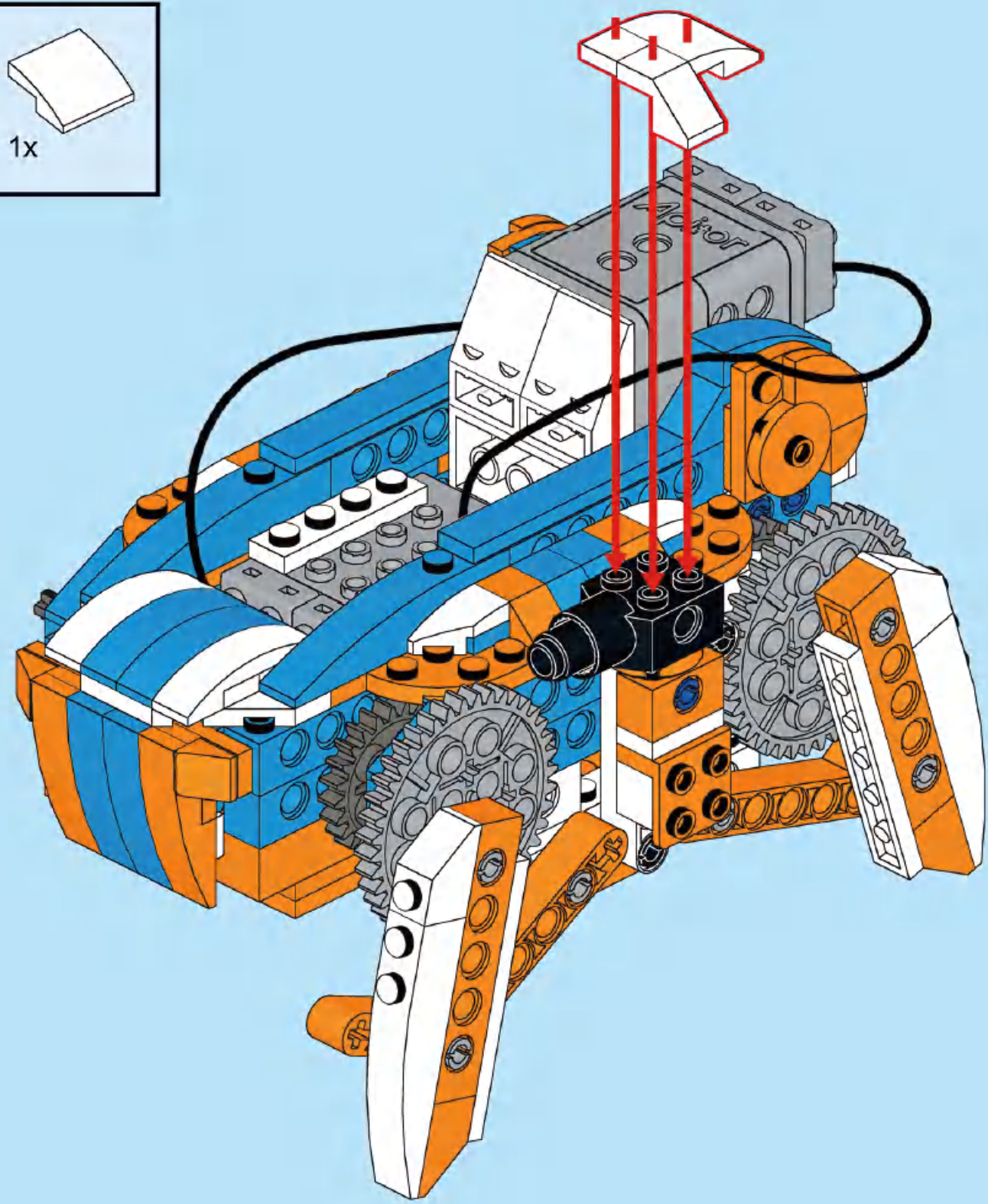
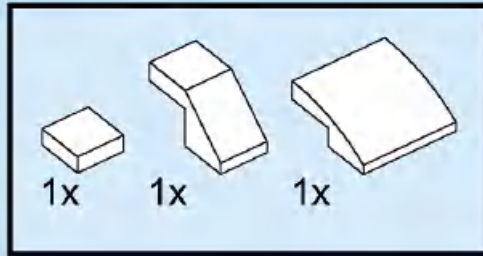
69



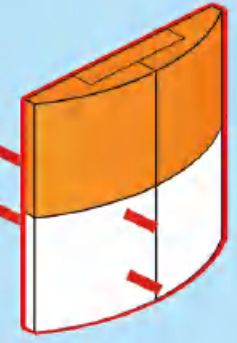
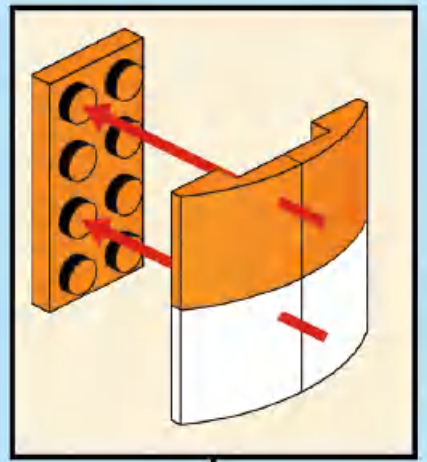
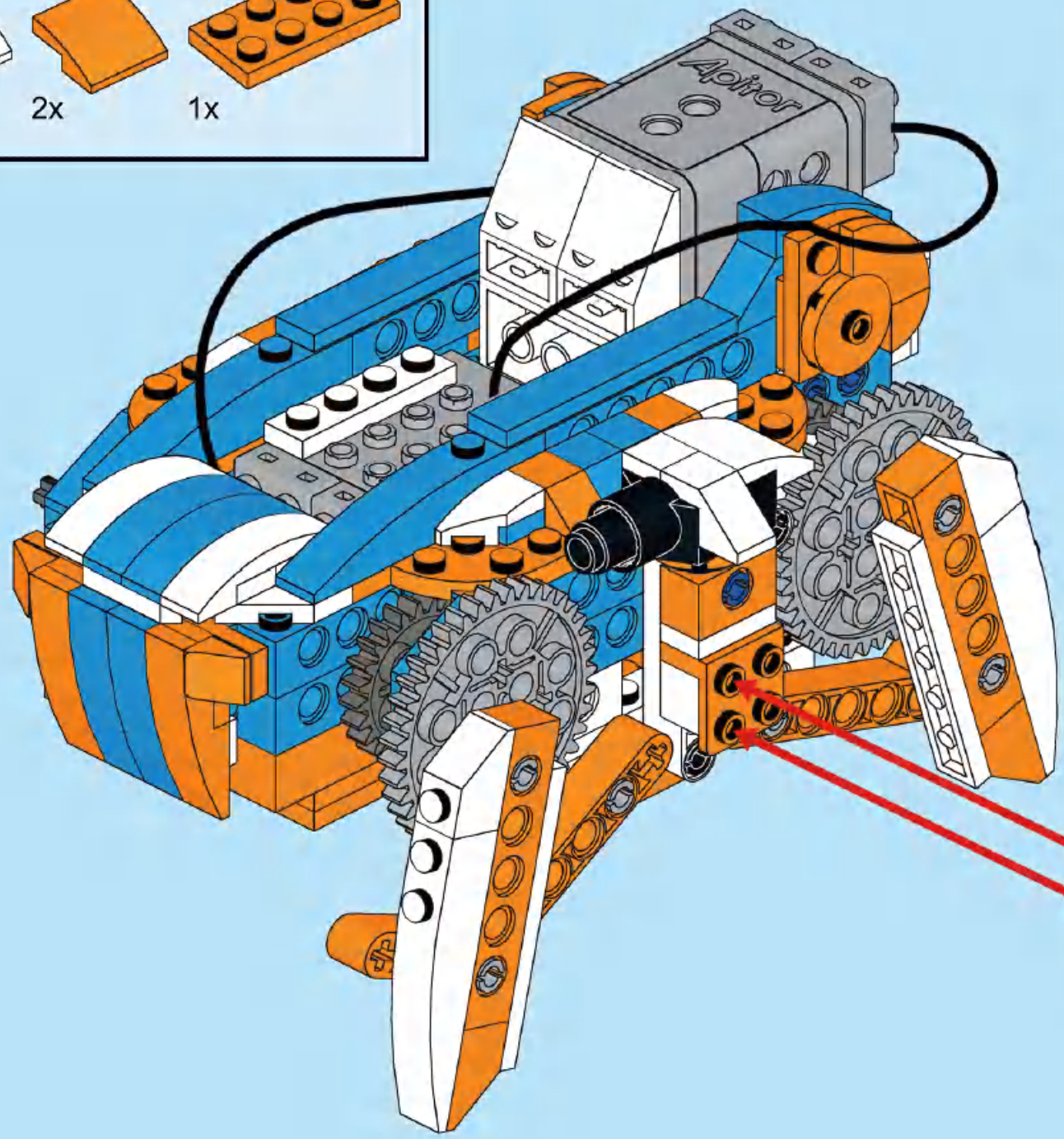
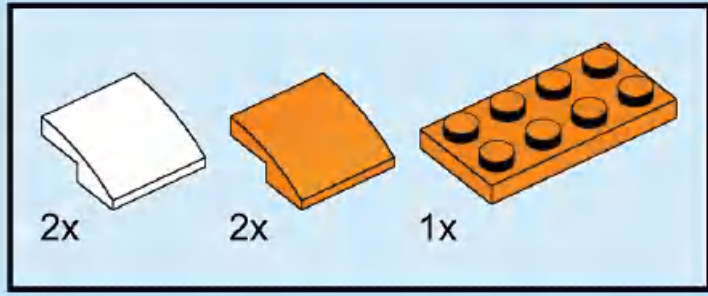
70



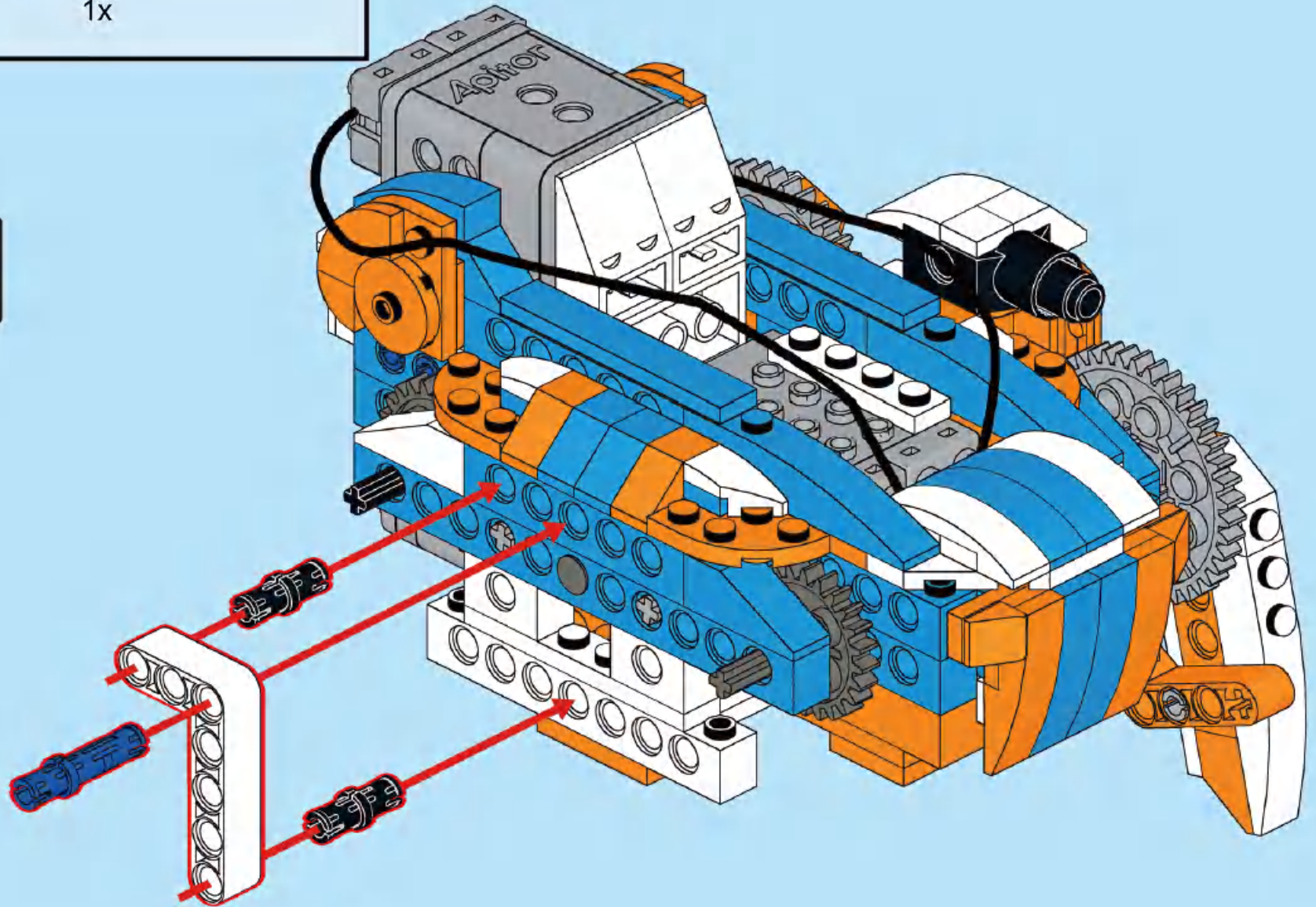
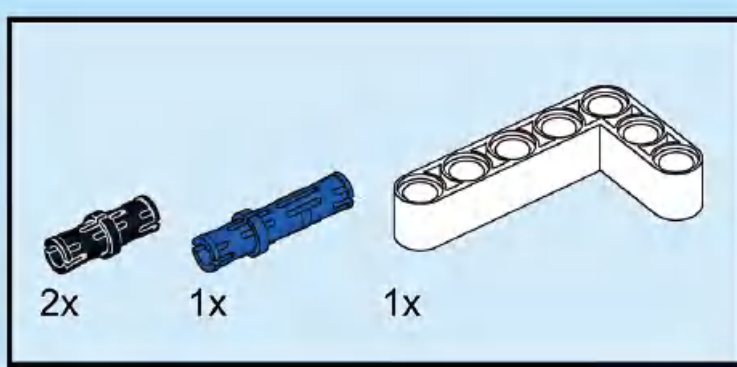
71



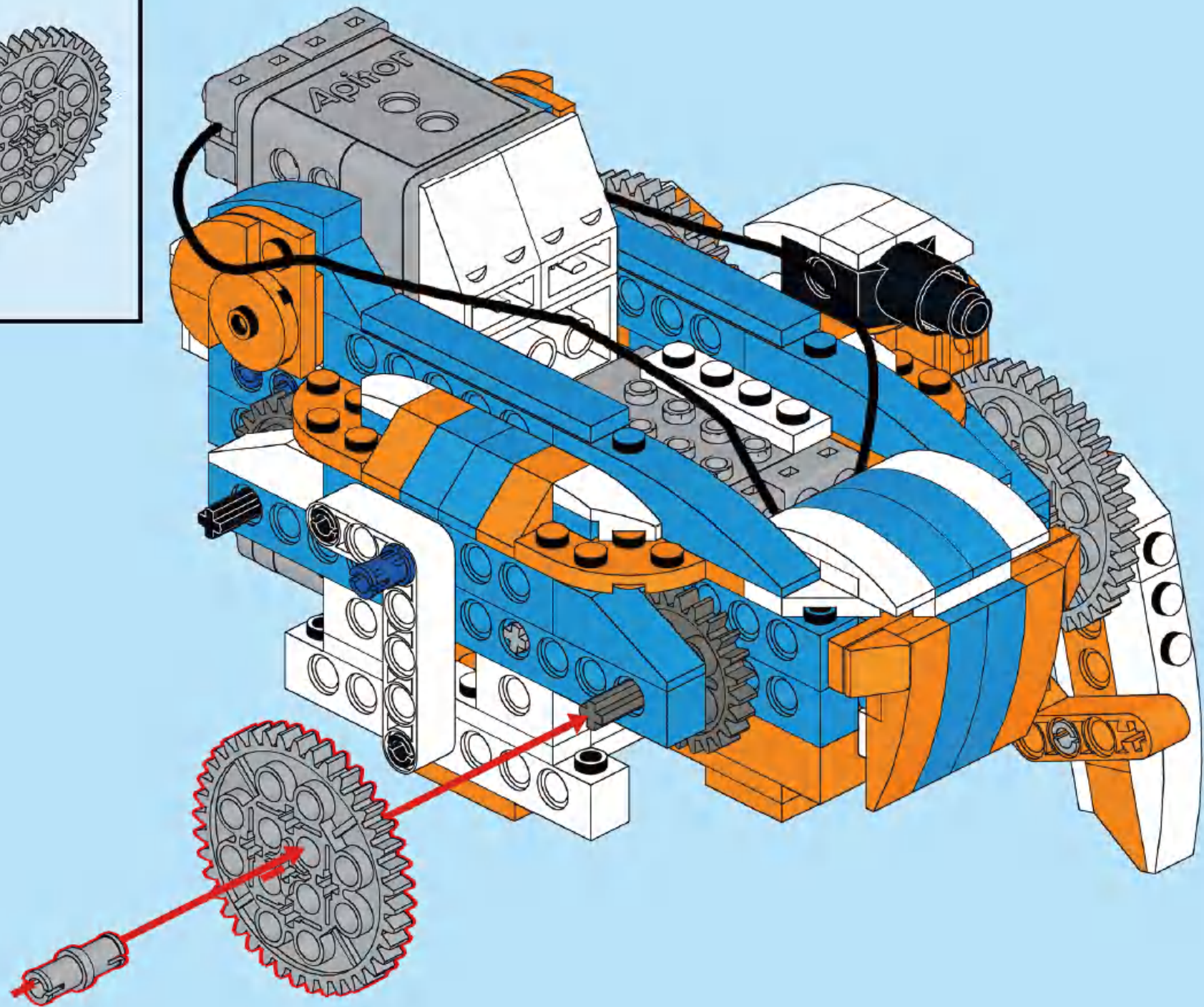
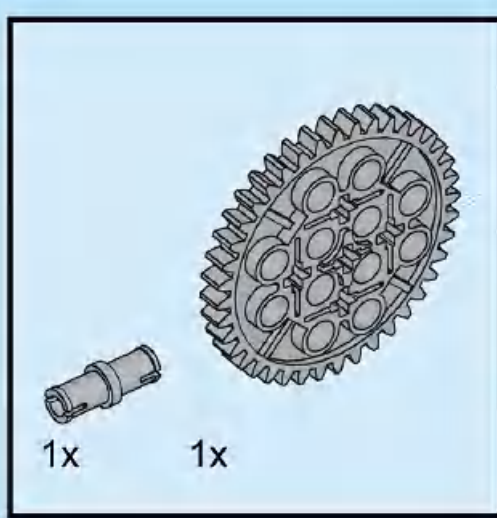
72



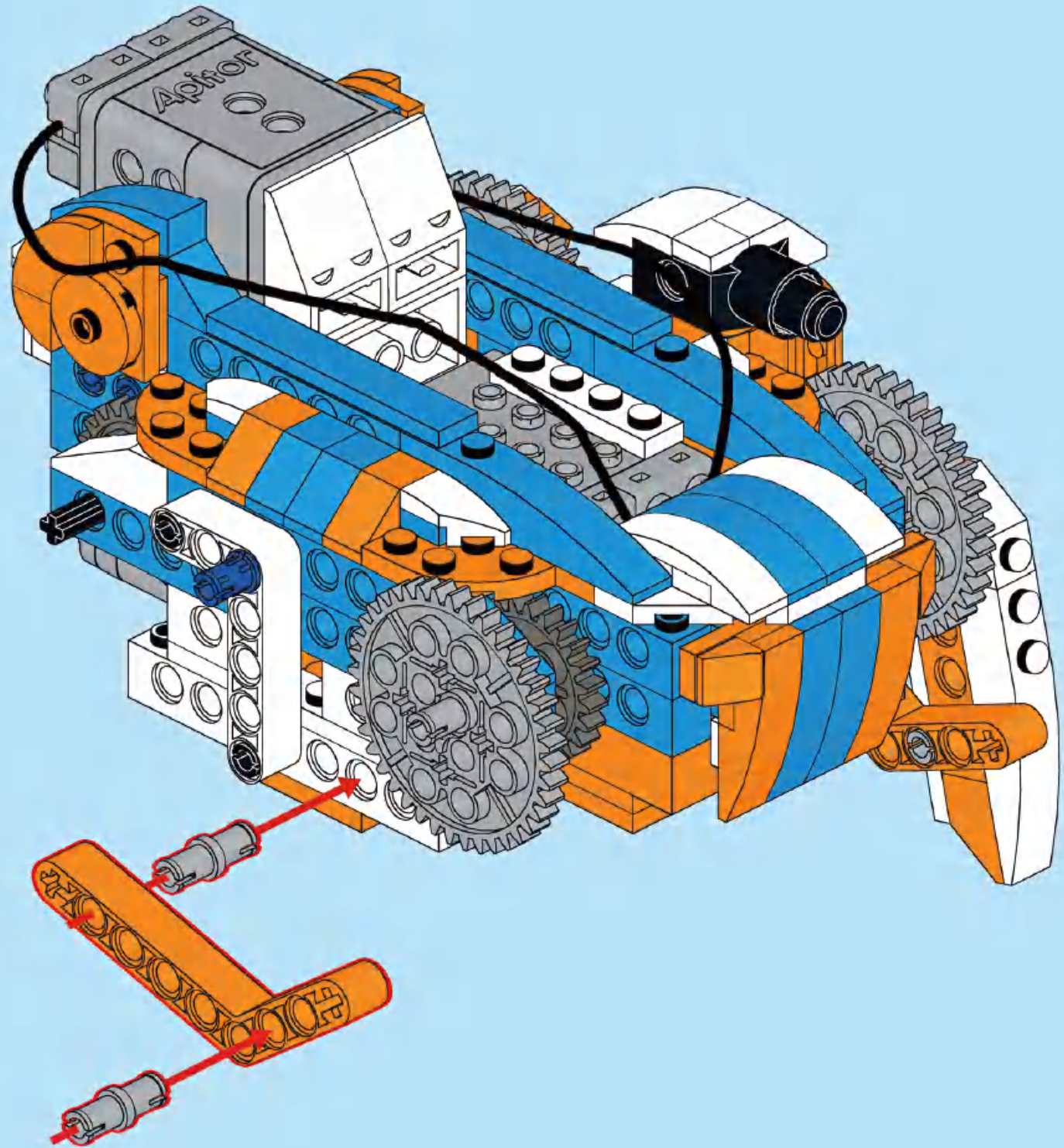
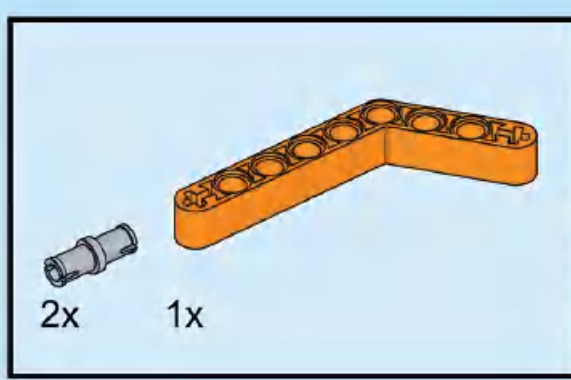
73



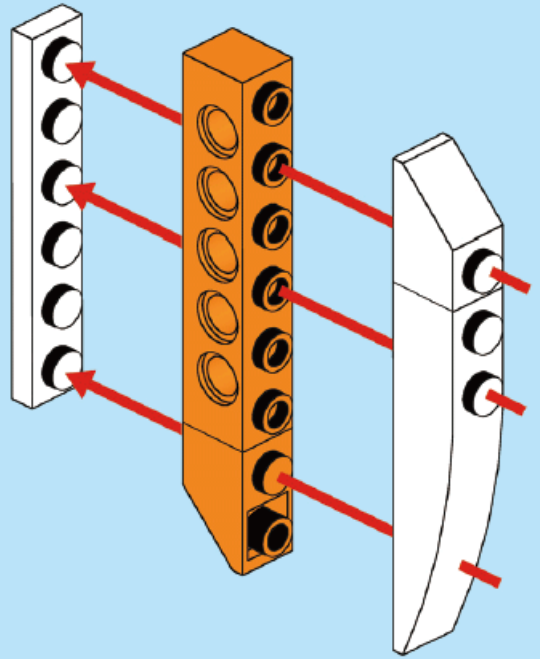
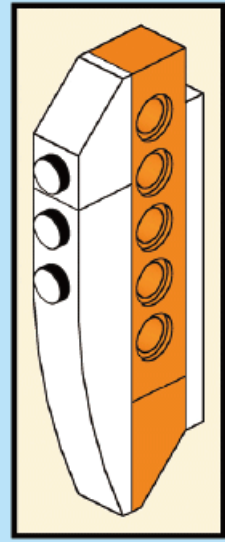
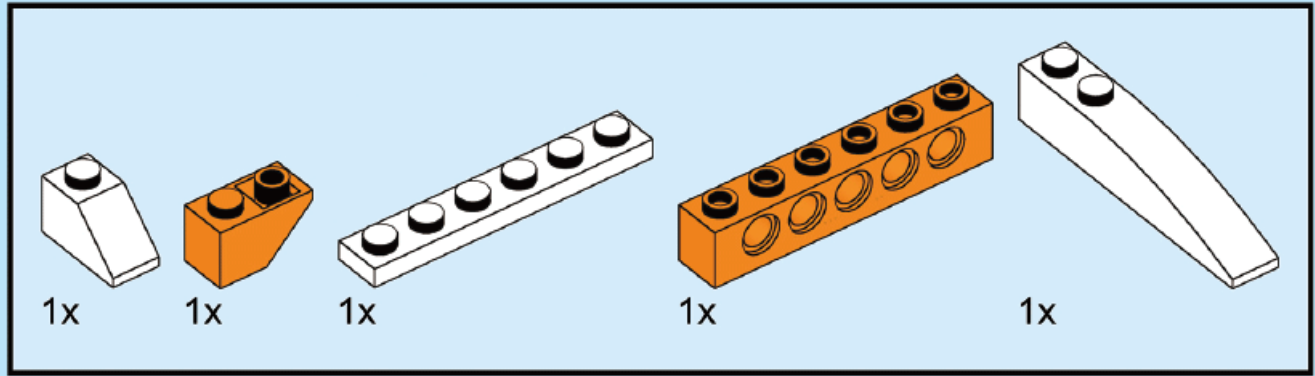
74

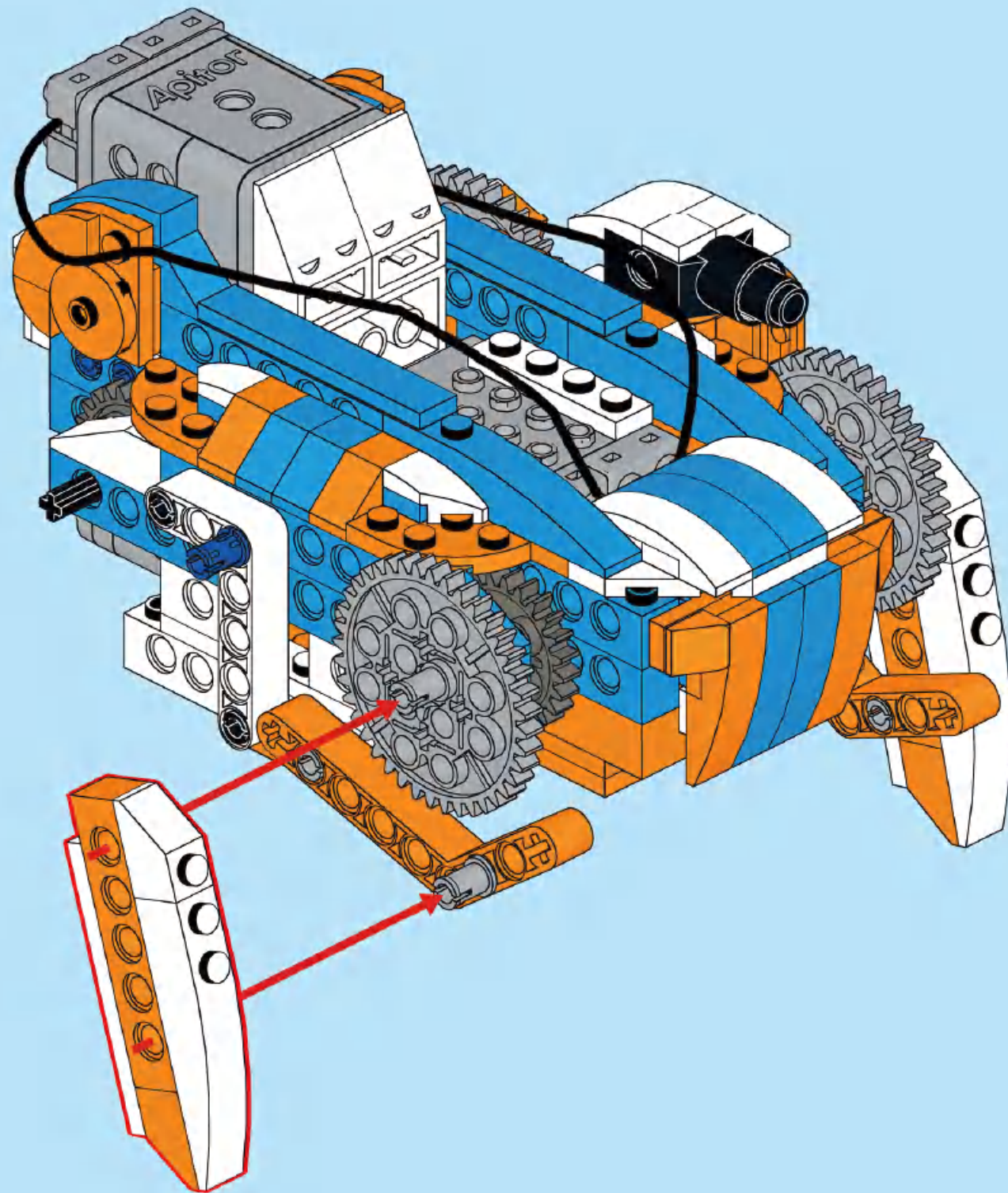


75

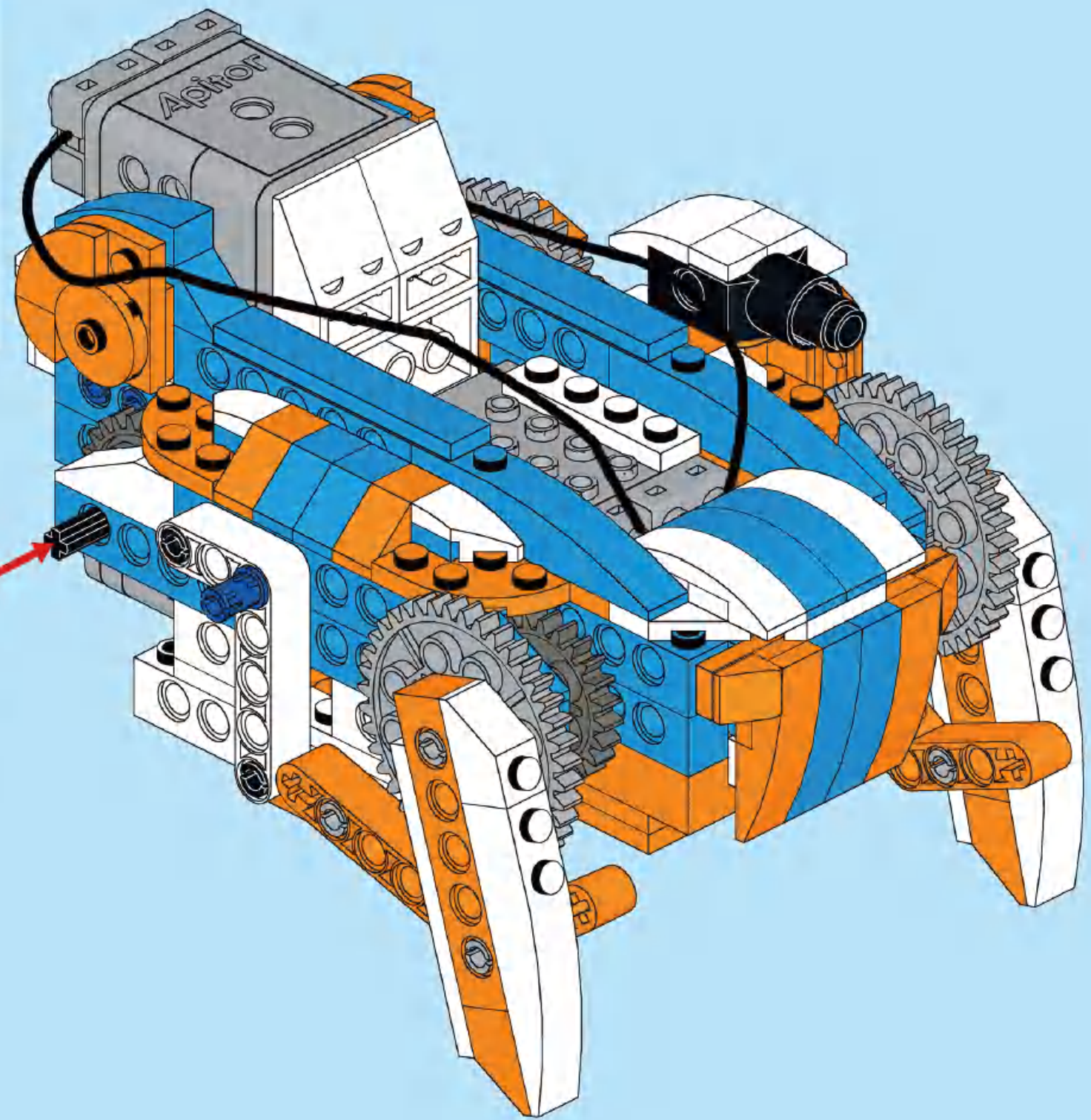
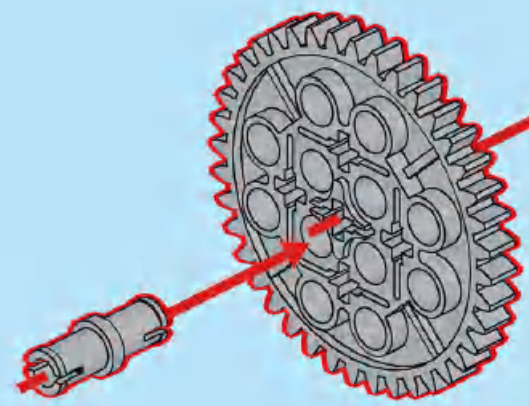
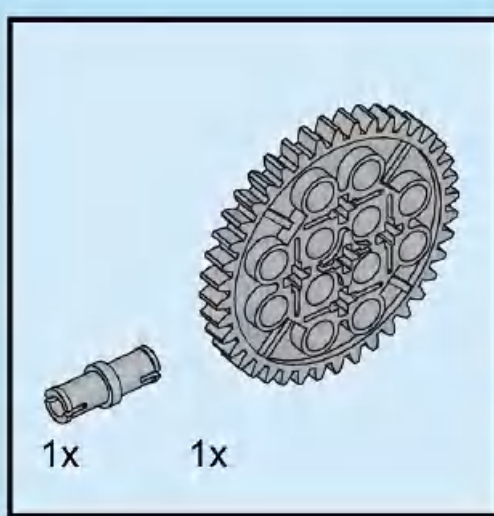


76

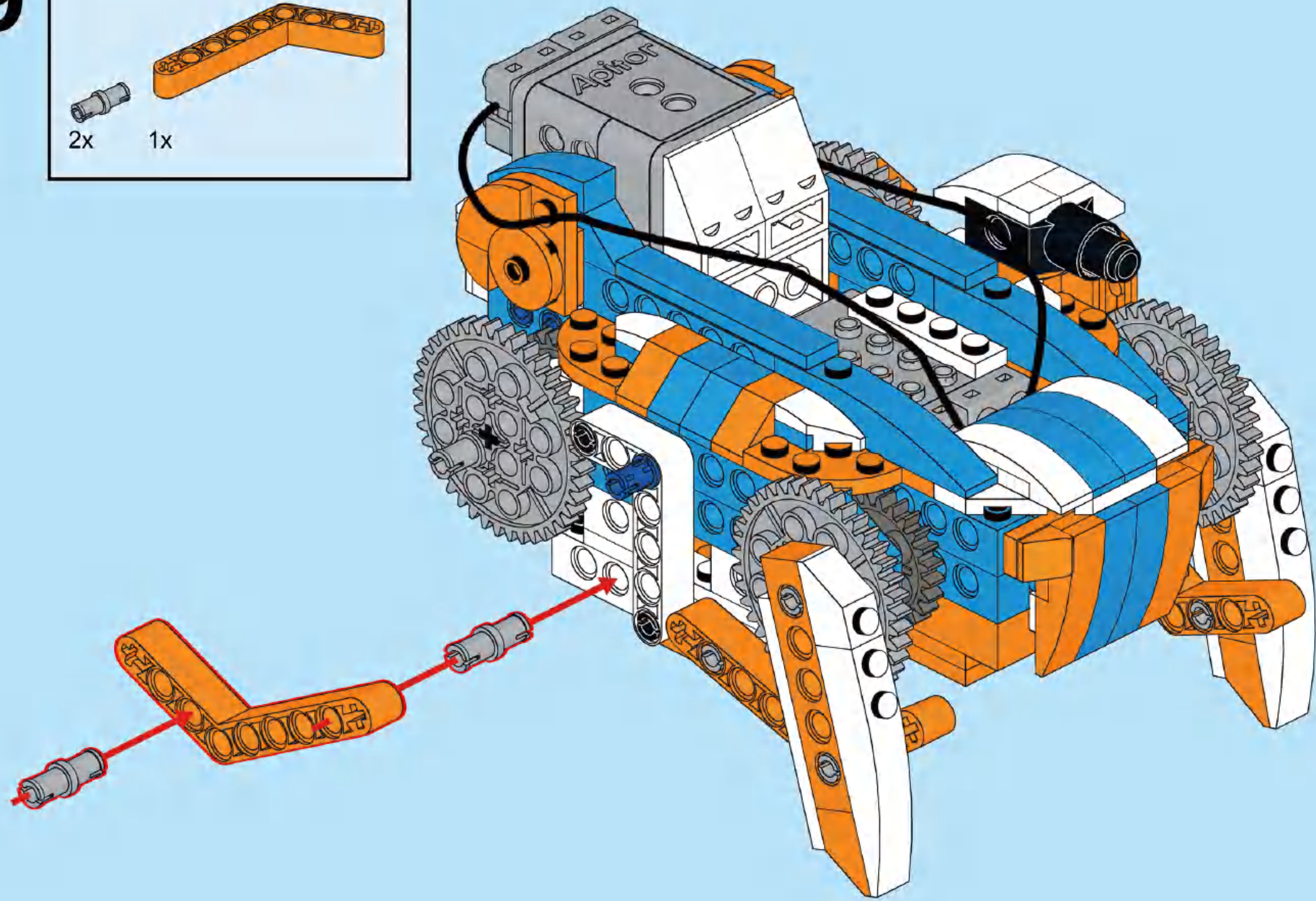
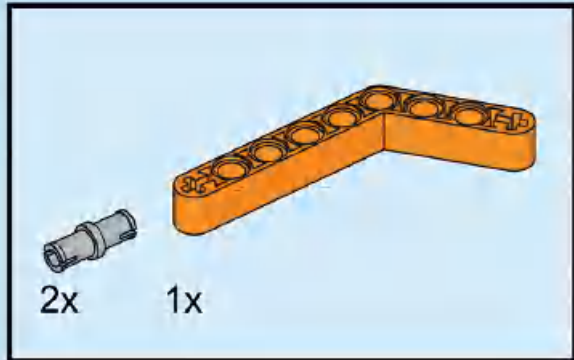




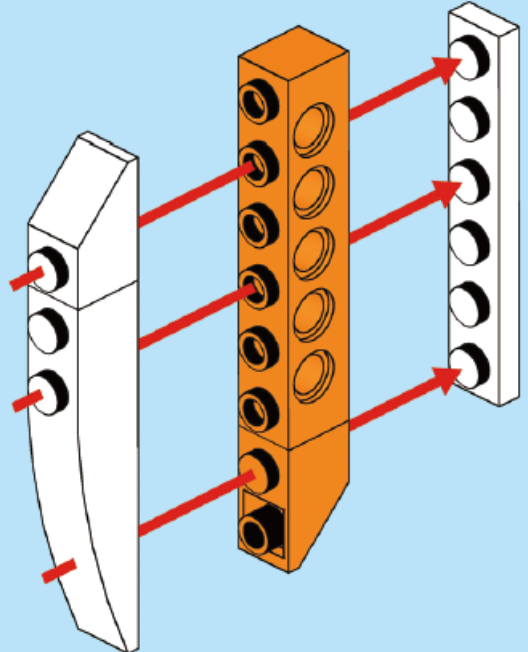
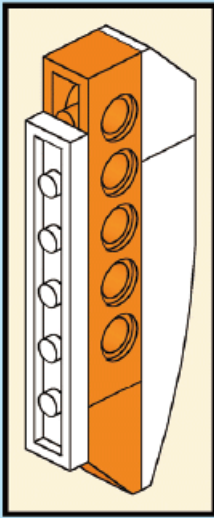
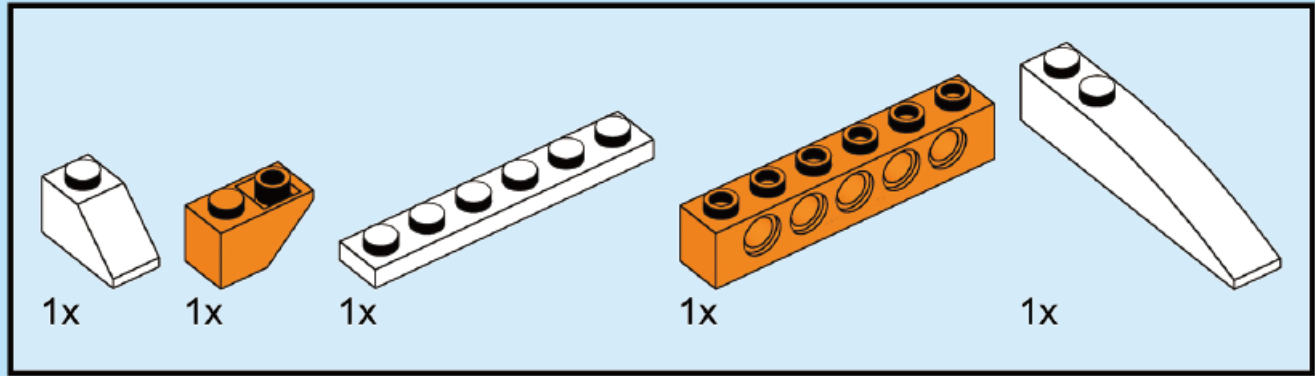
78

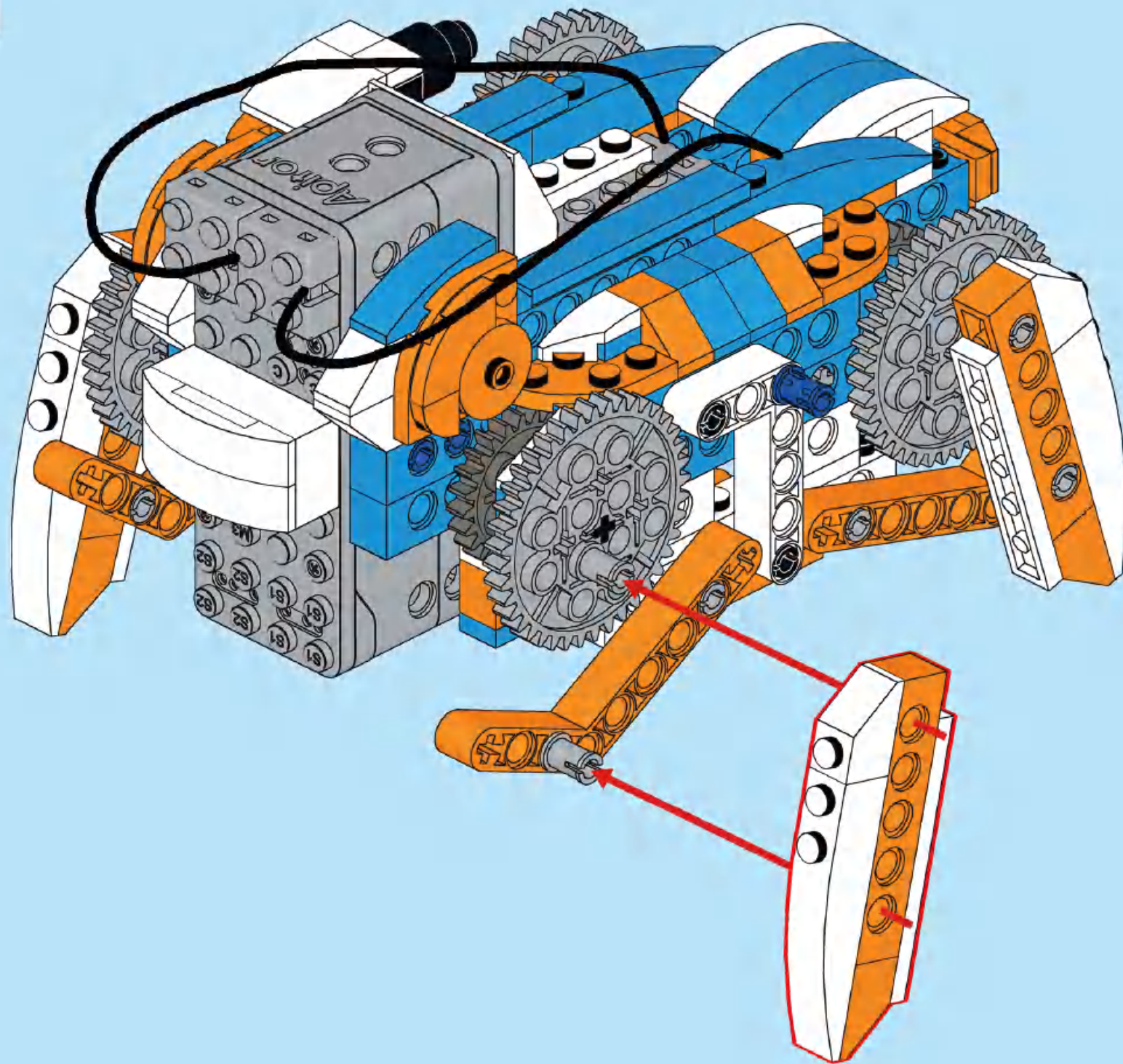


79

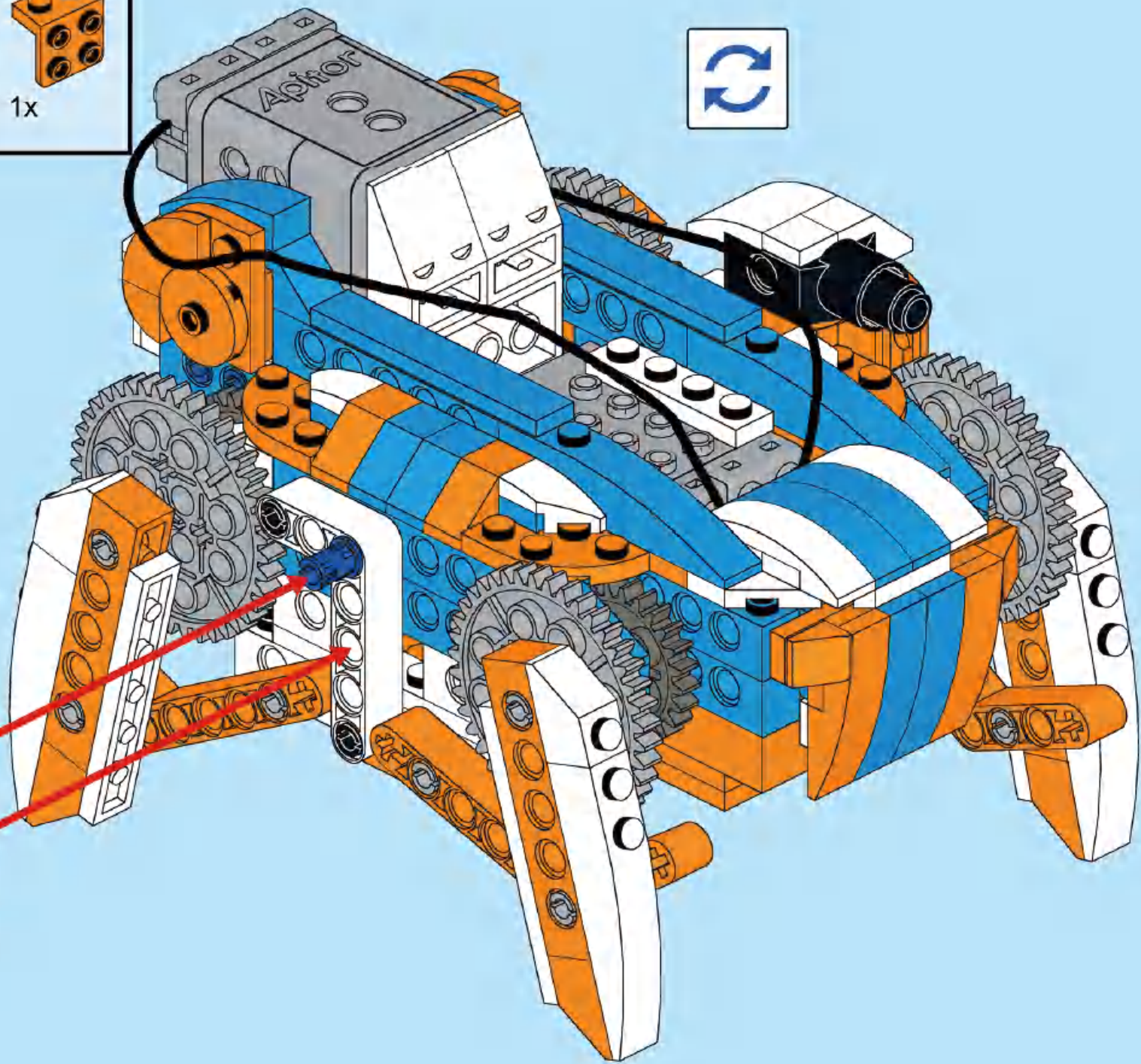
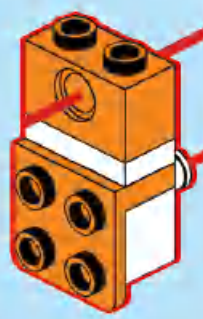
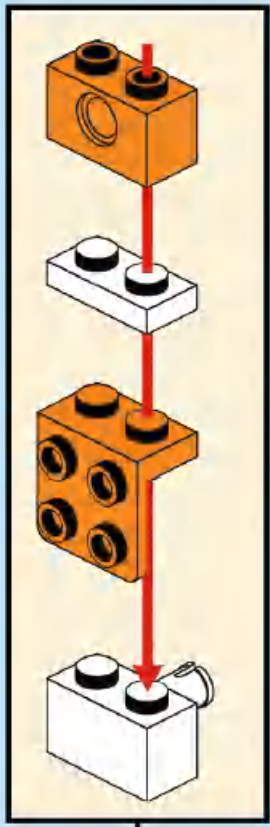


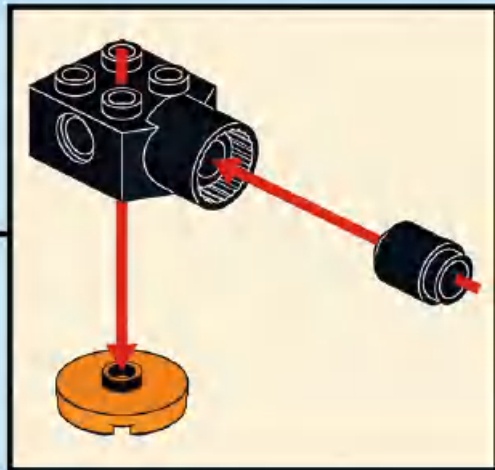
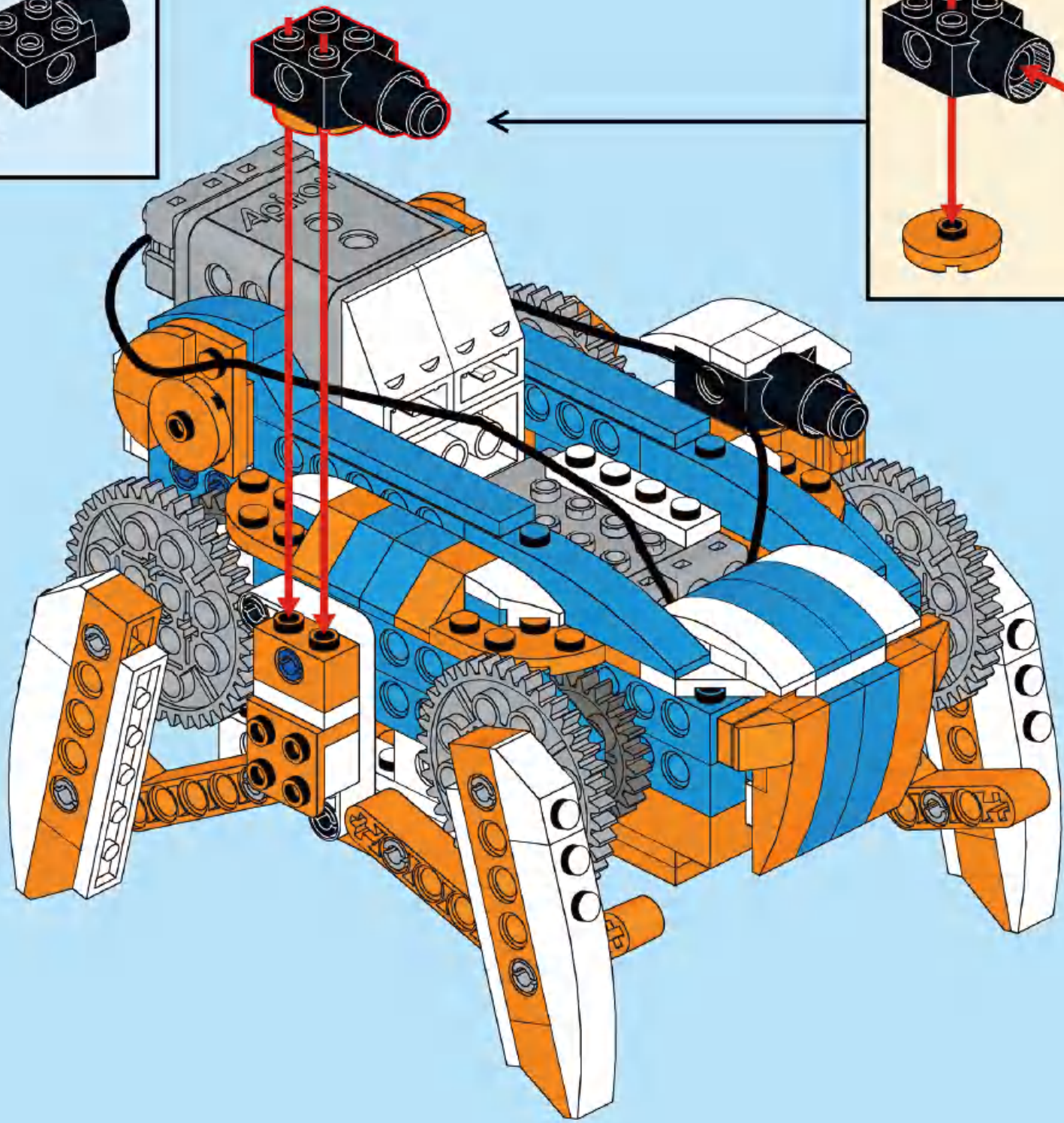
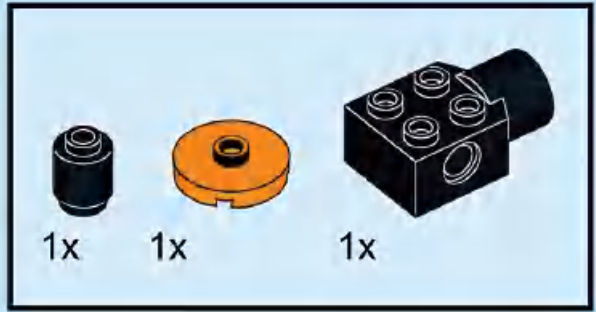
80



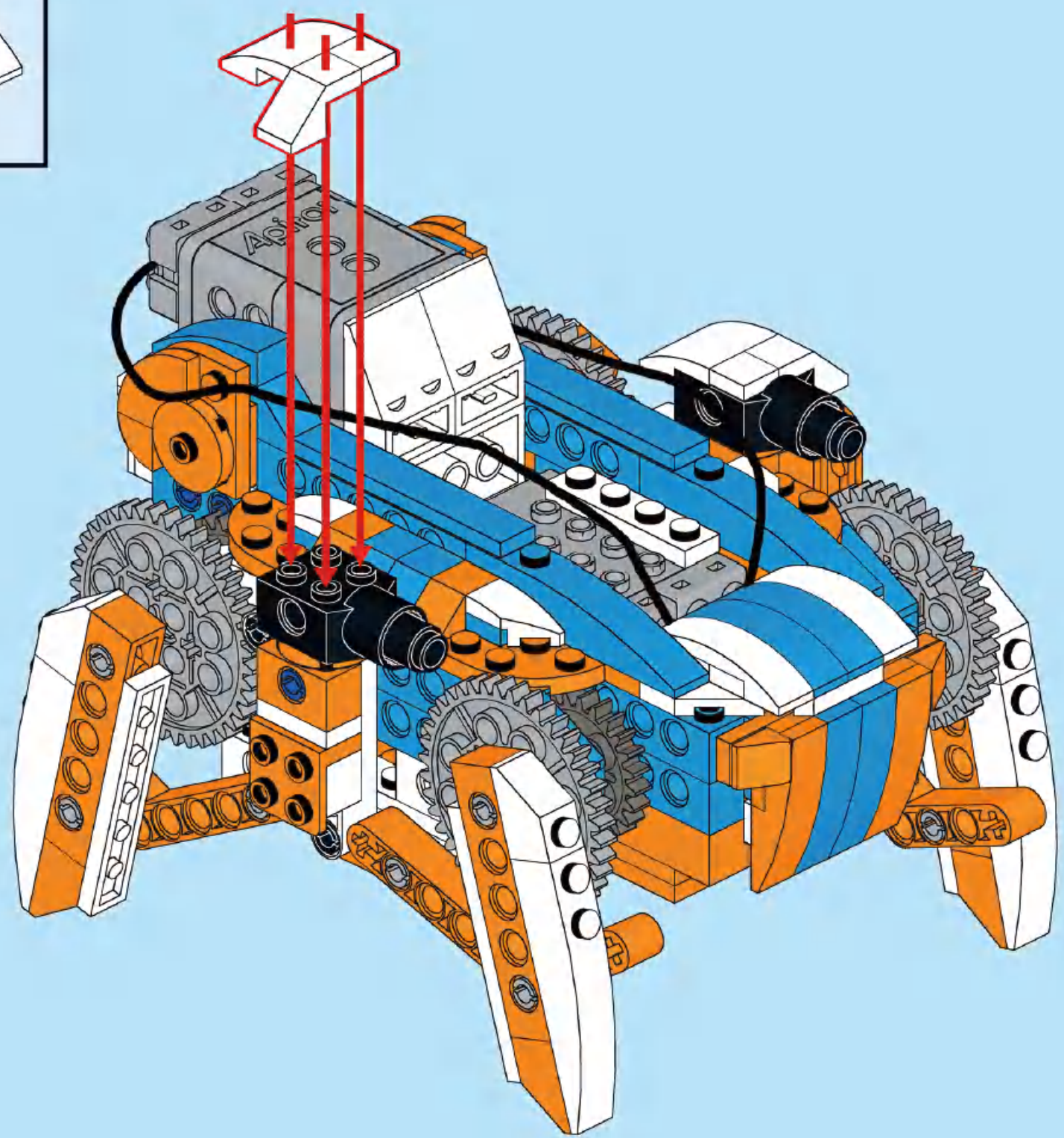
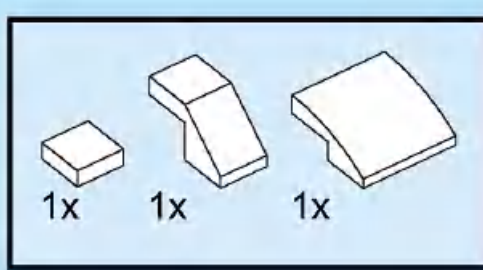


- 1x
- 1x
- 1x
- 1x

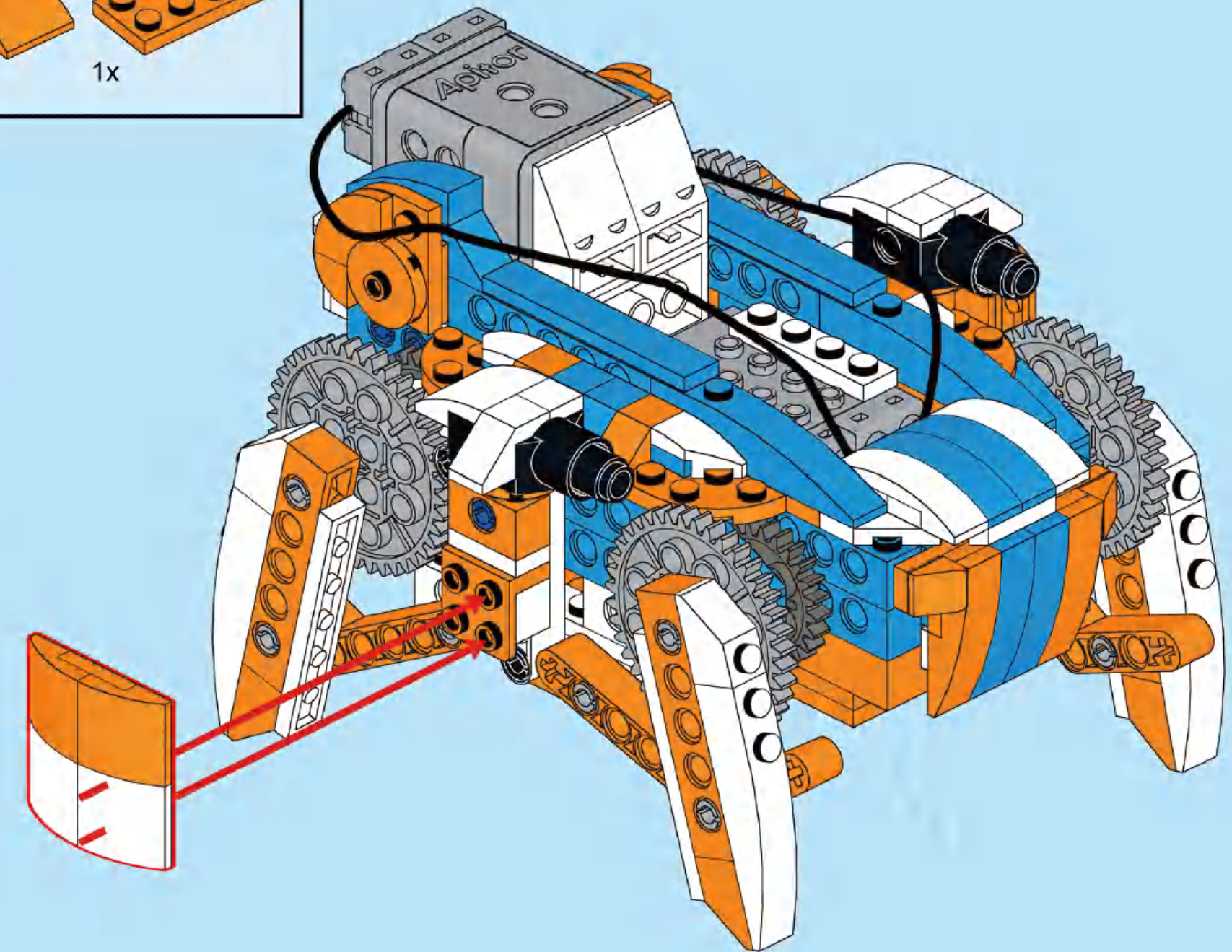
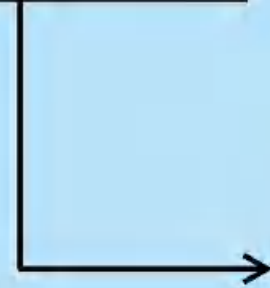
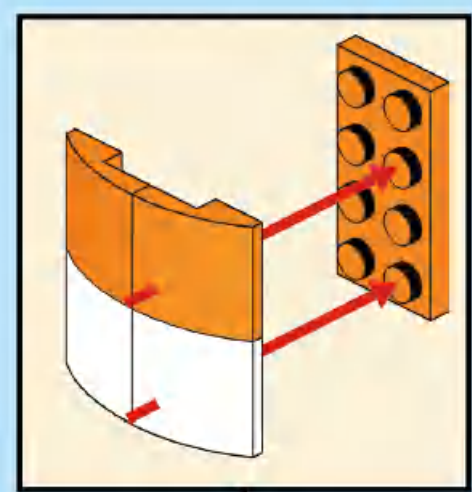
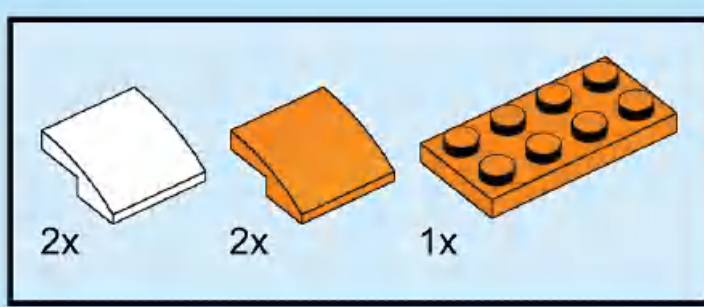




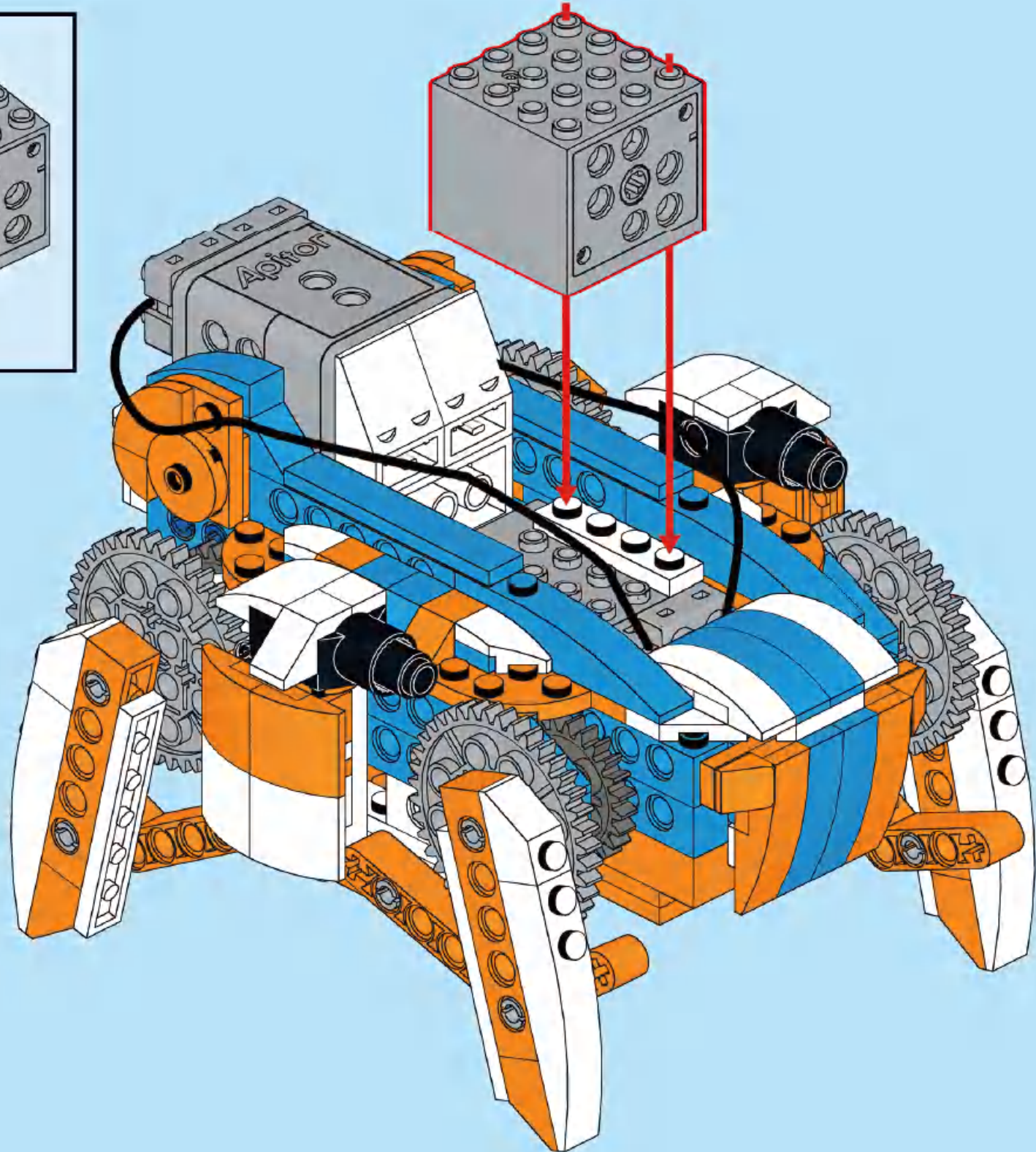
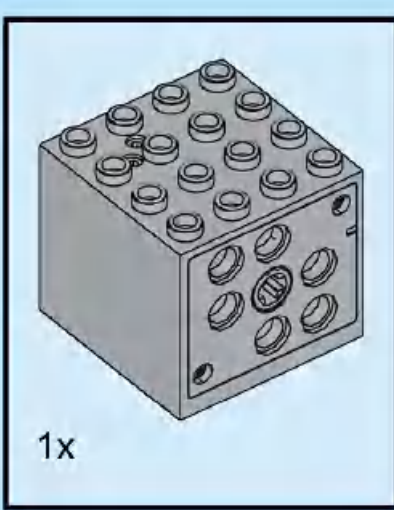
84



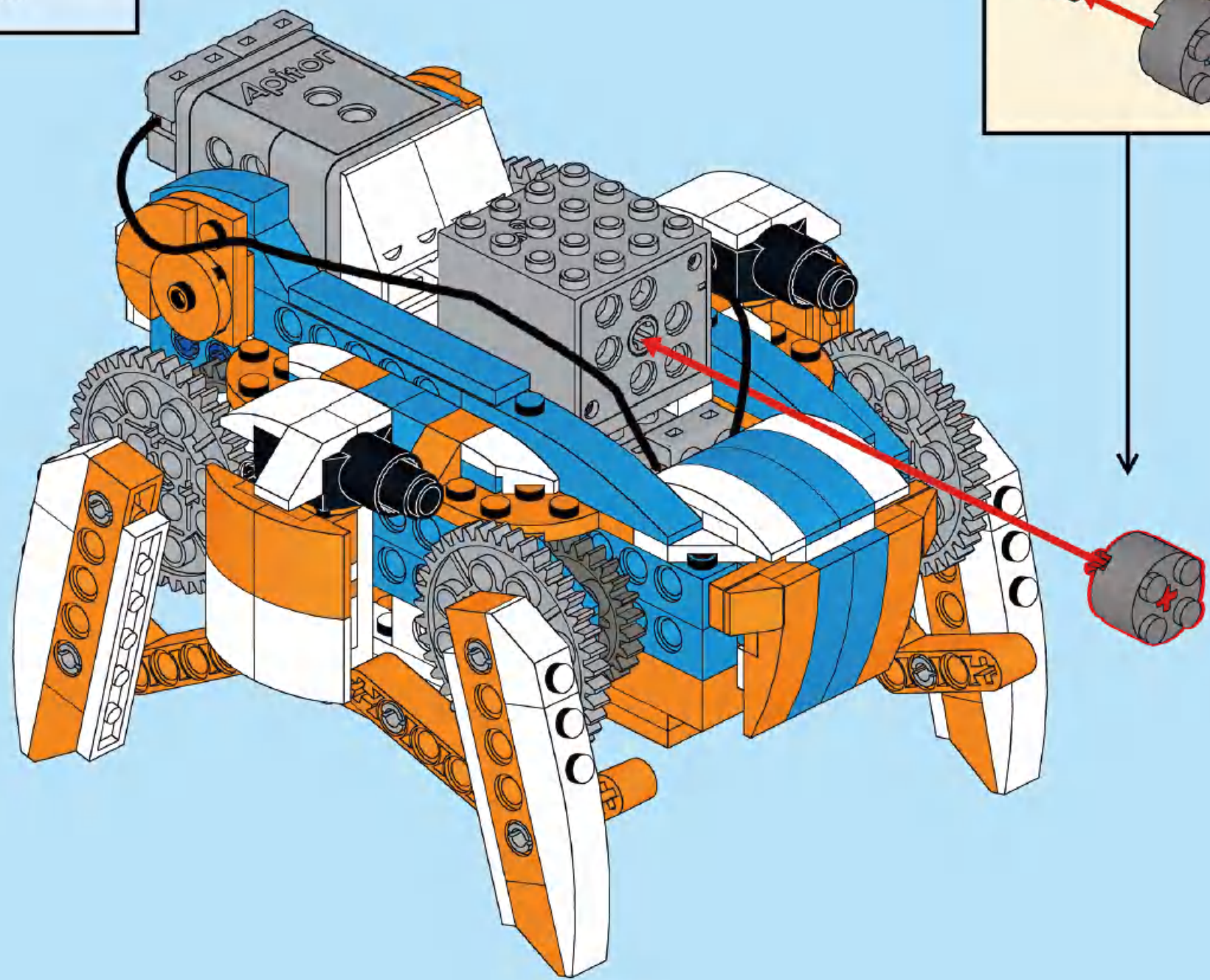
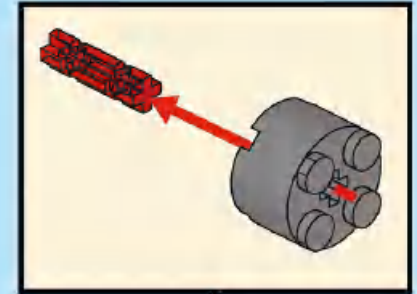
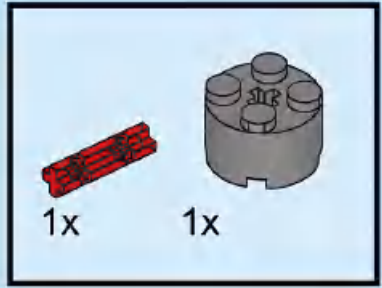
85



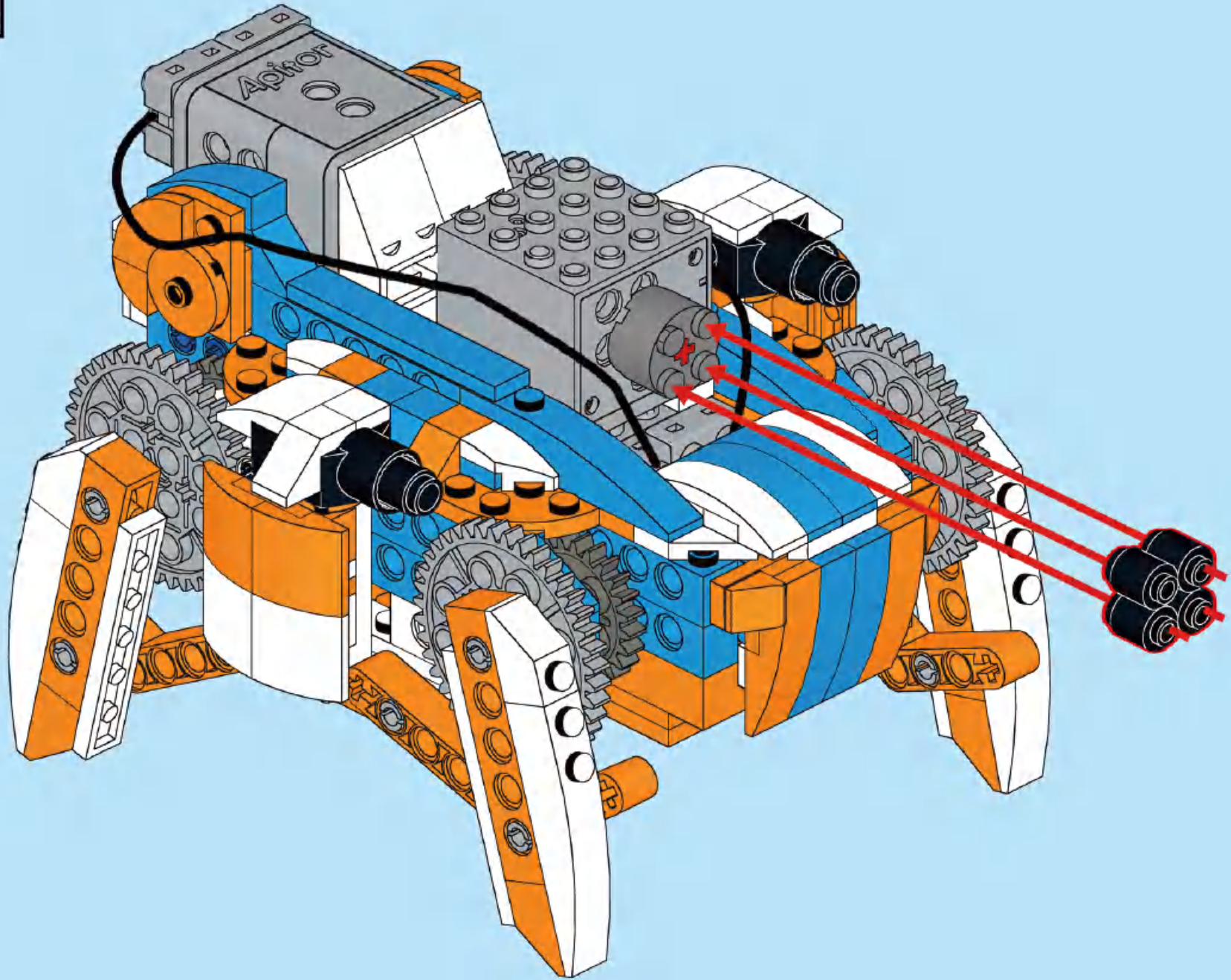
86



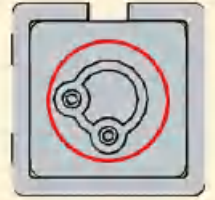
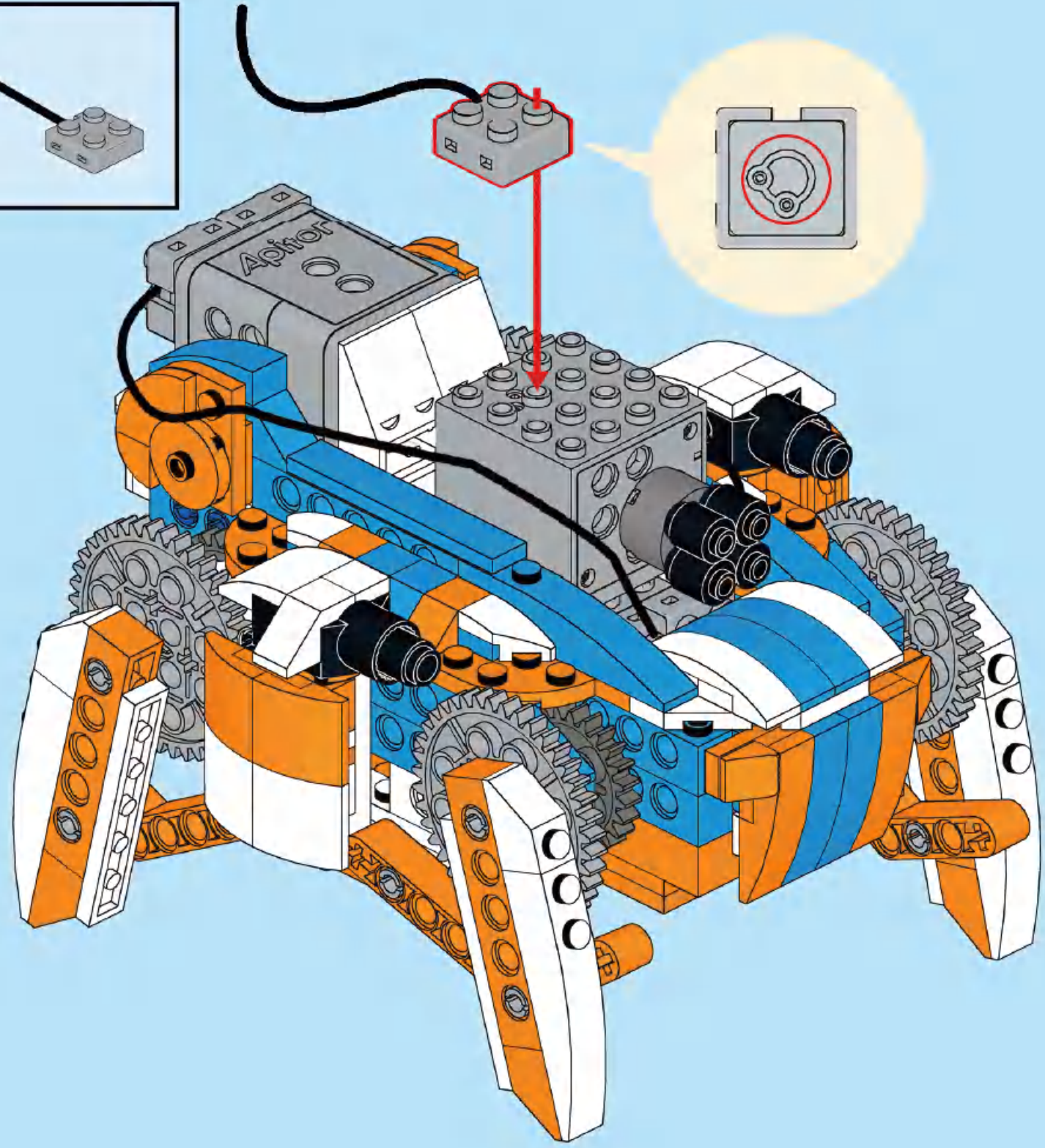
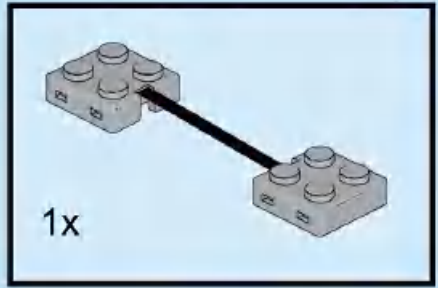
87

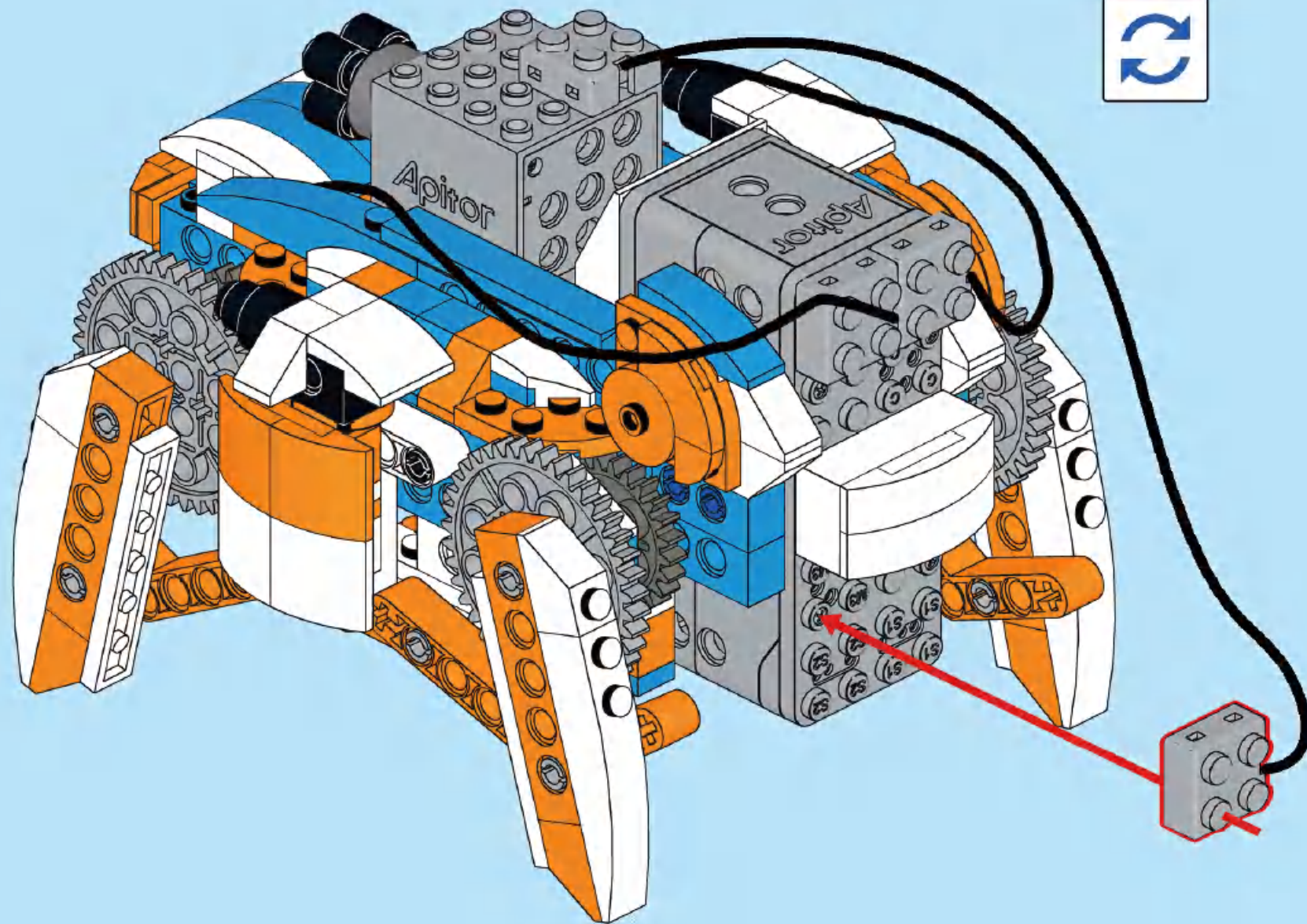


88

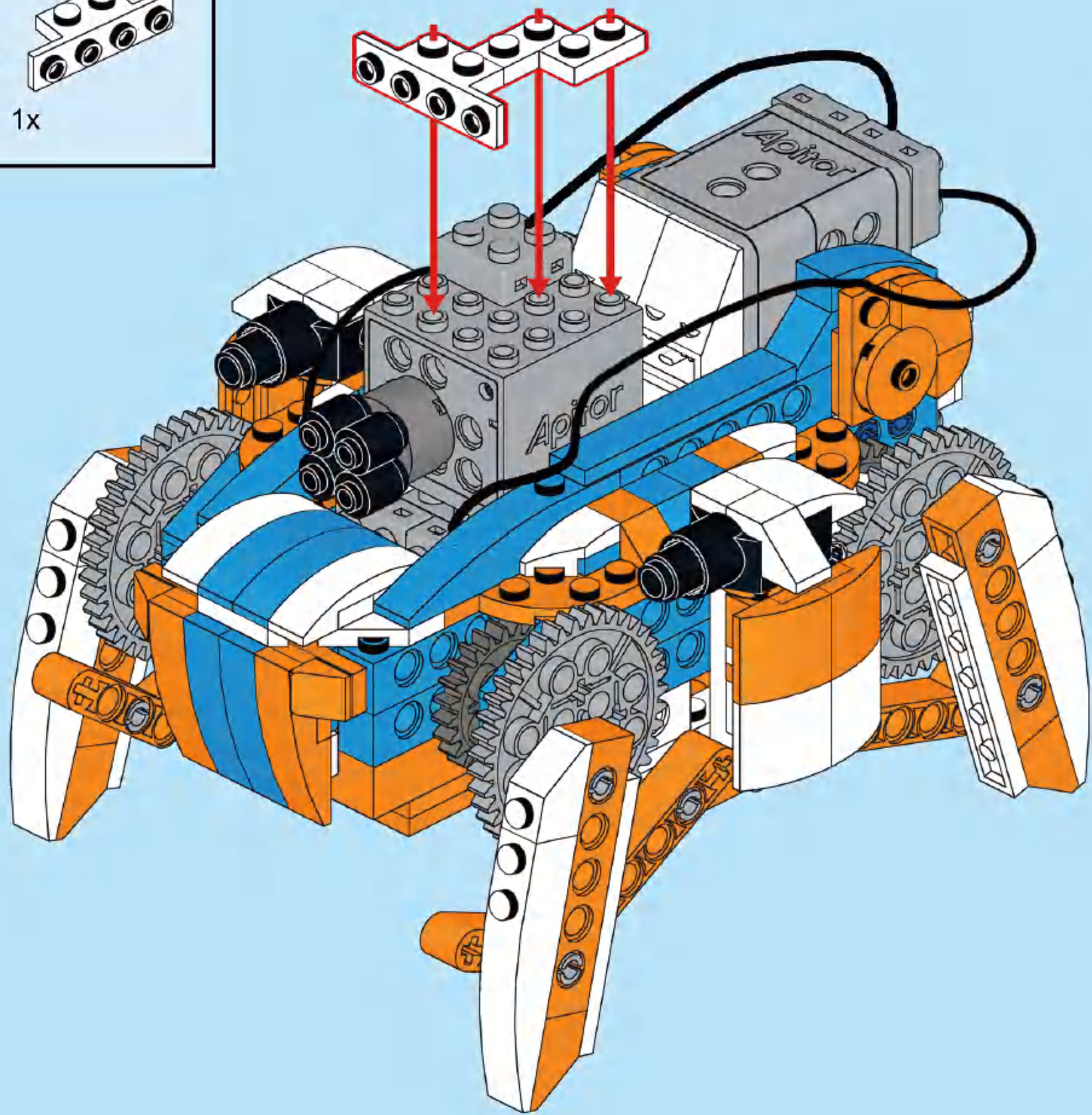
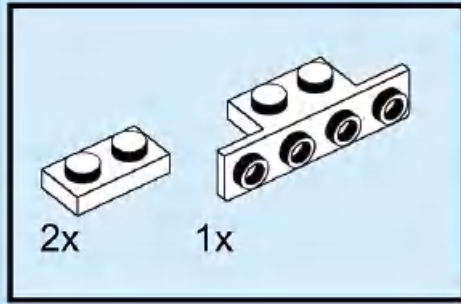


89

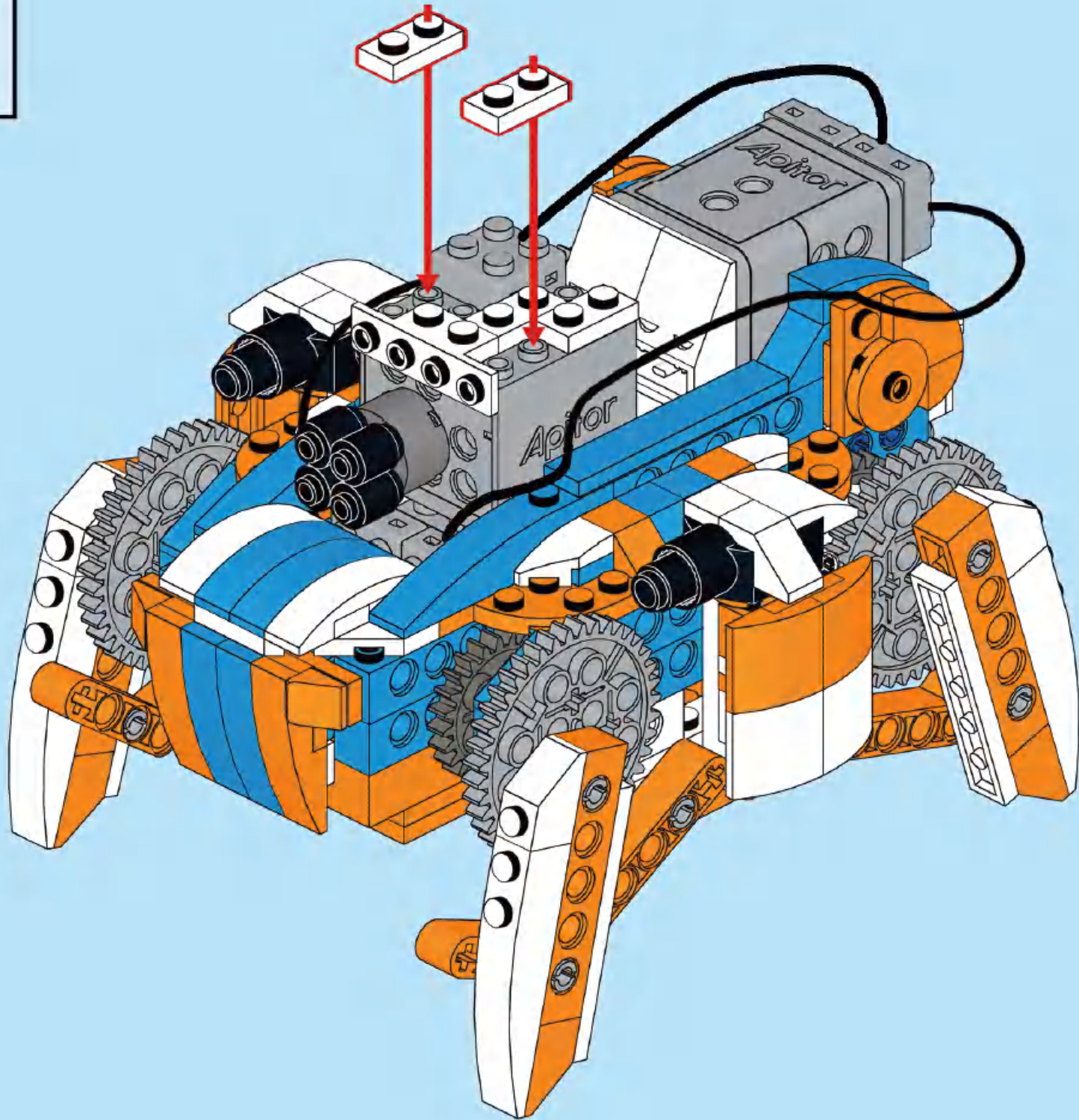




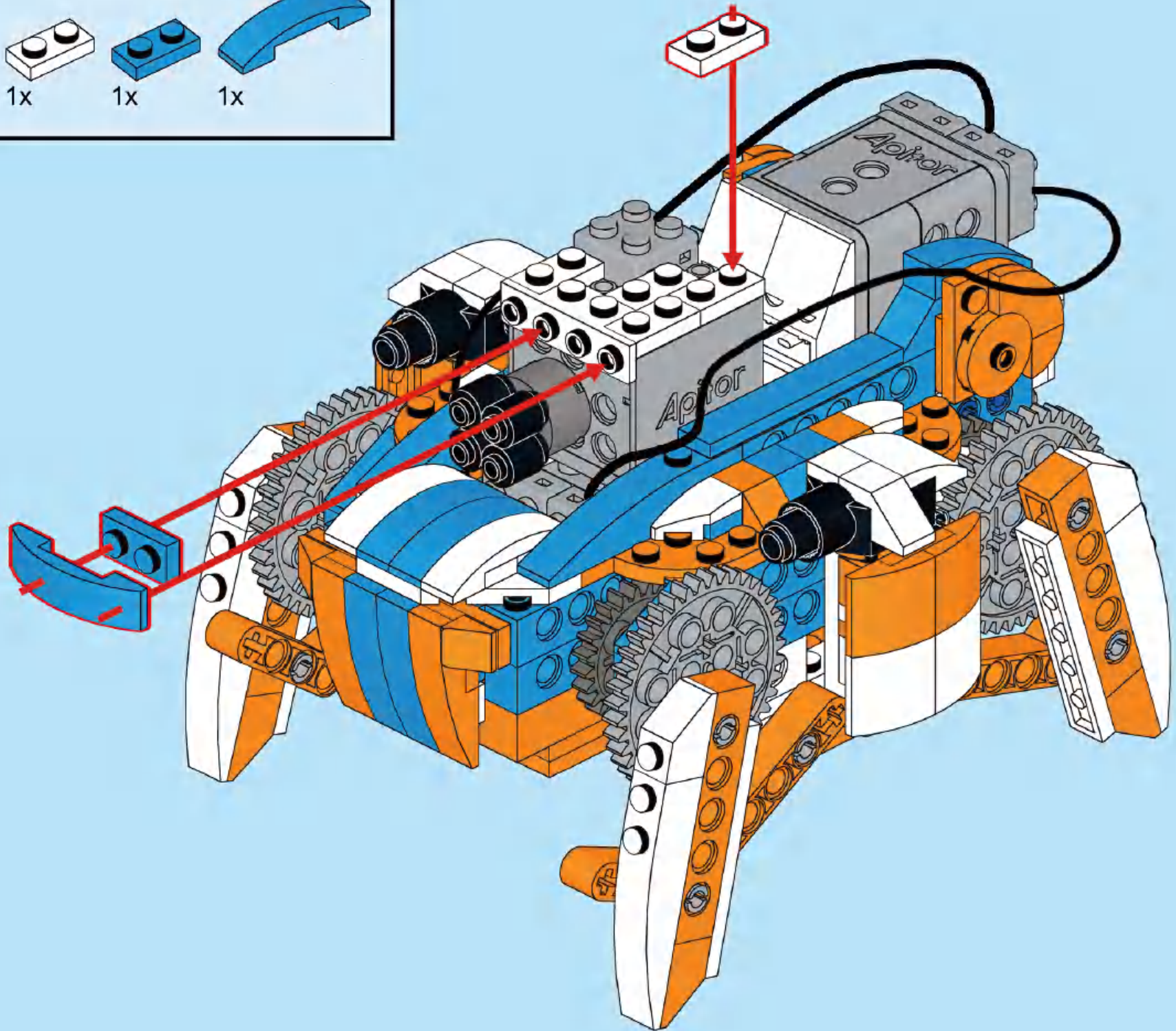
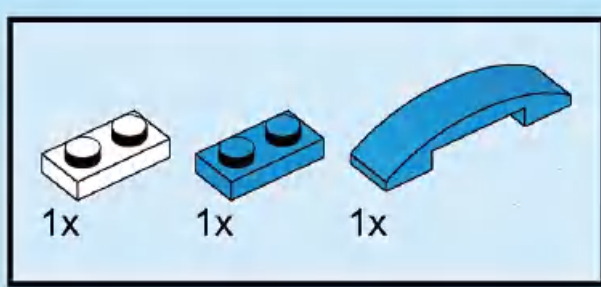
91



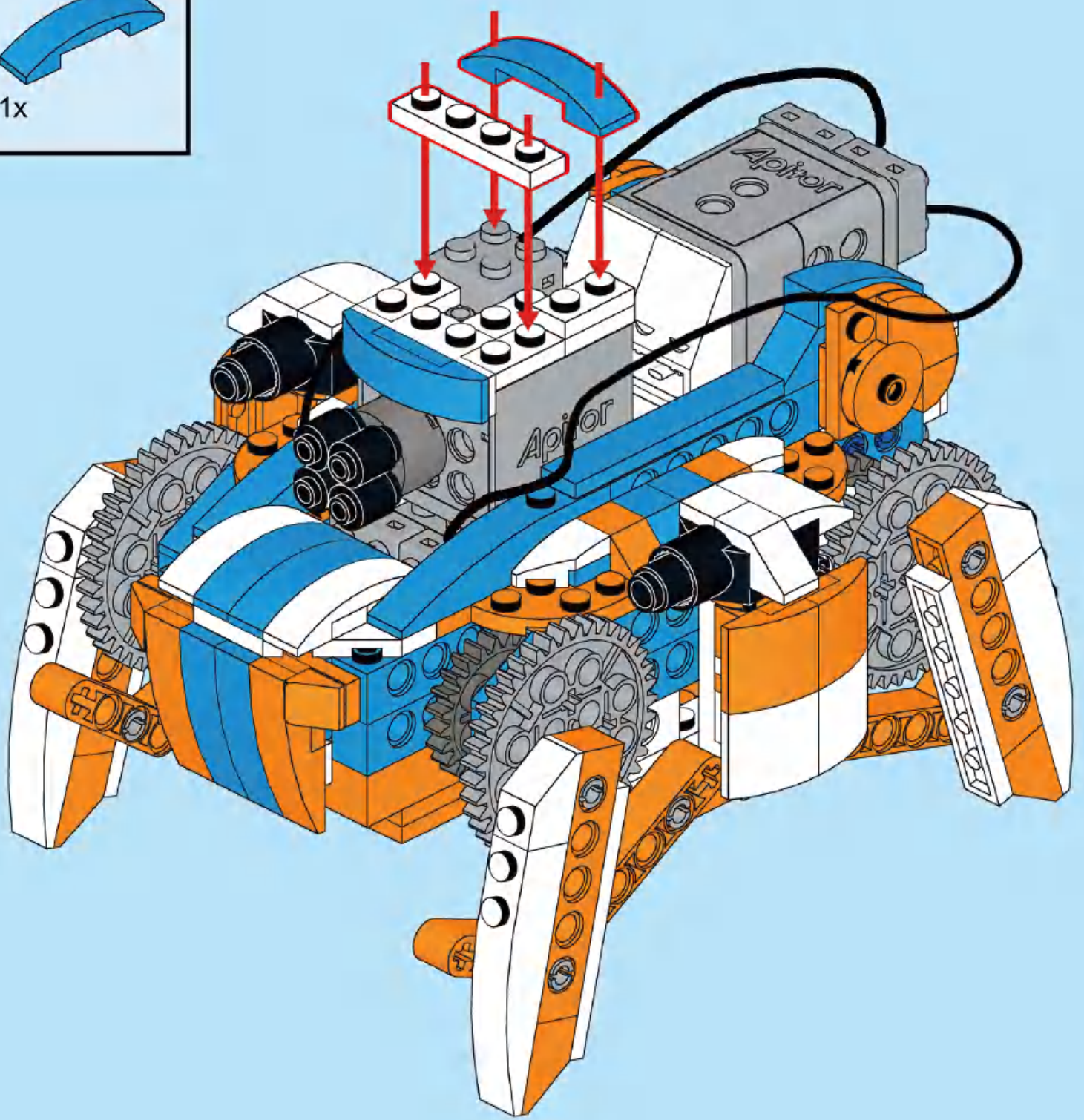
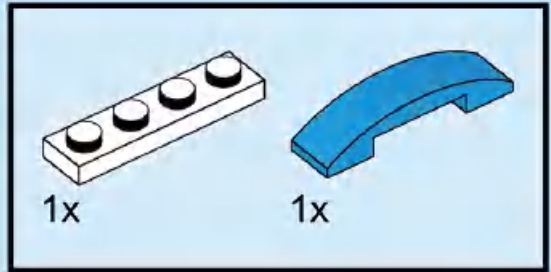
92



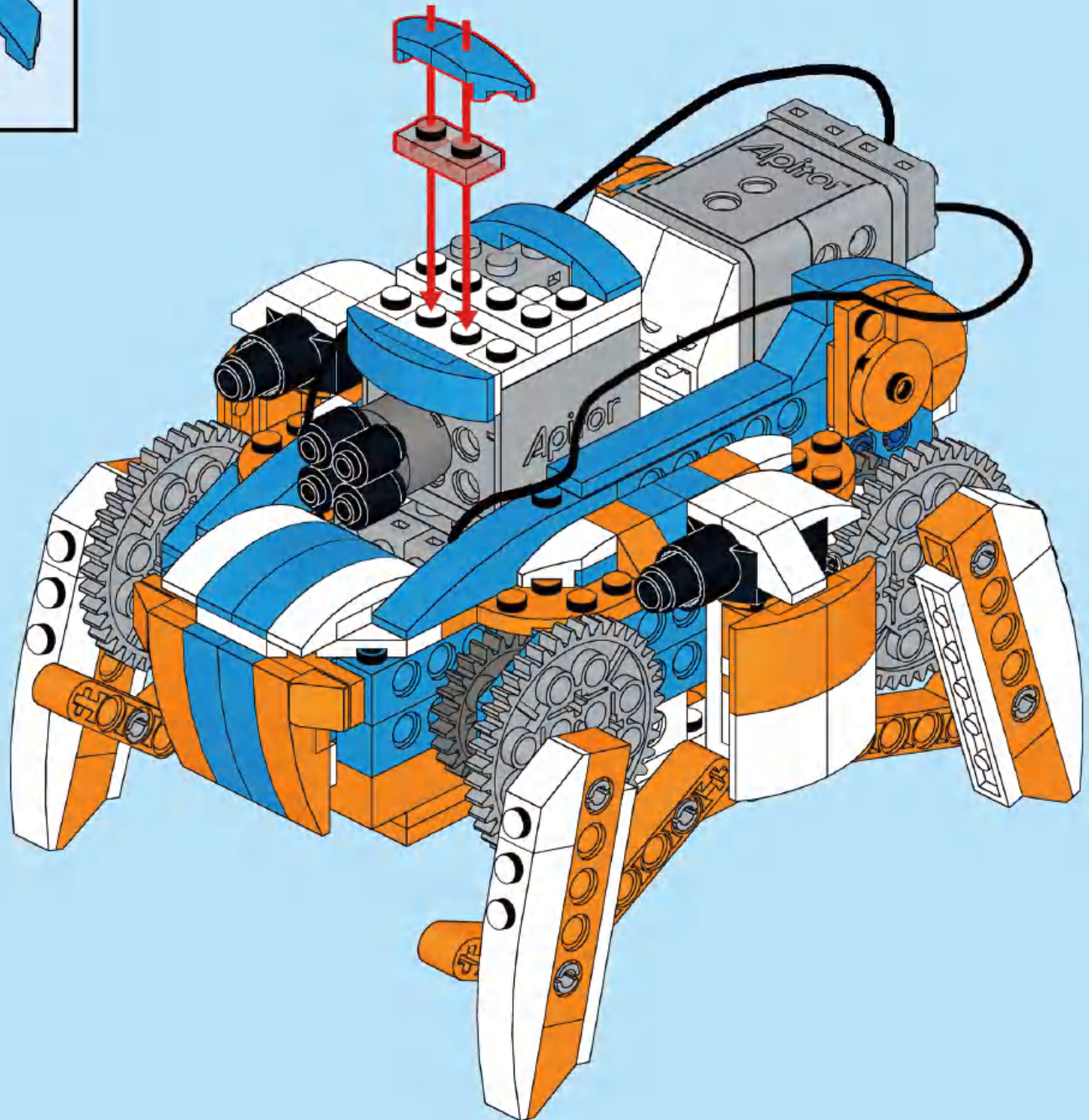
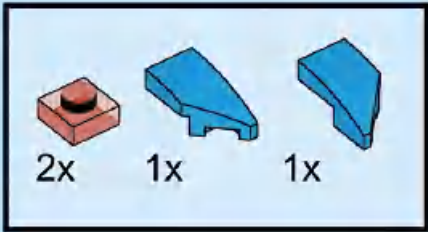
93



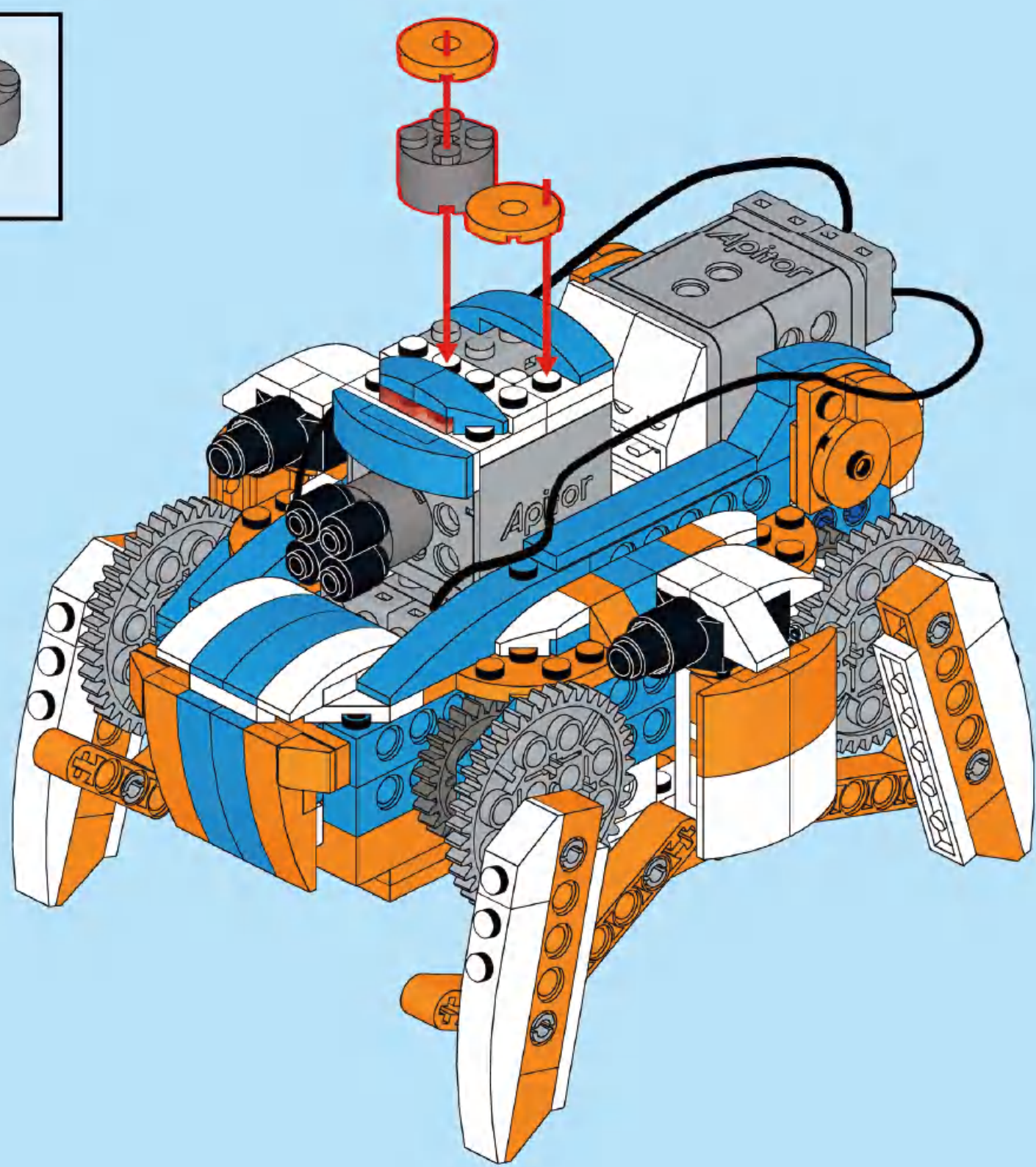
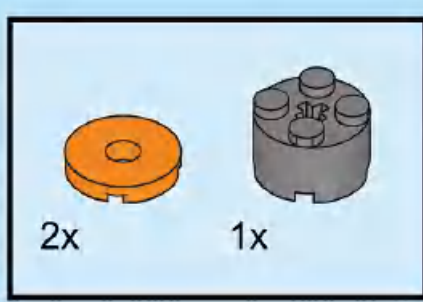
94



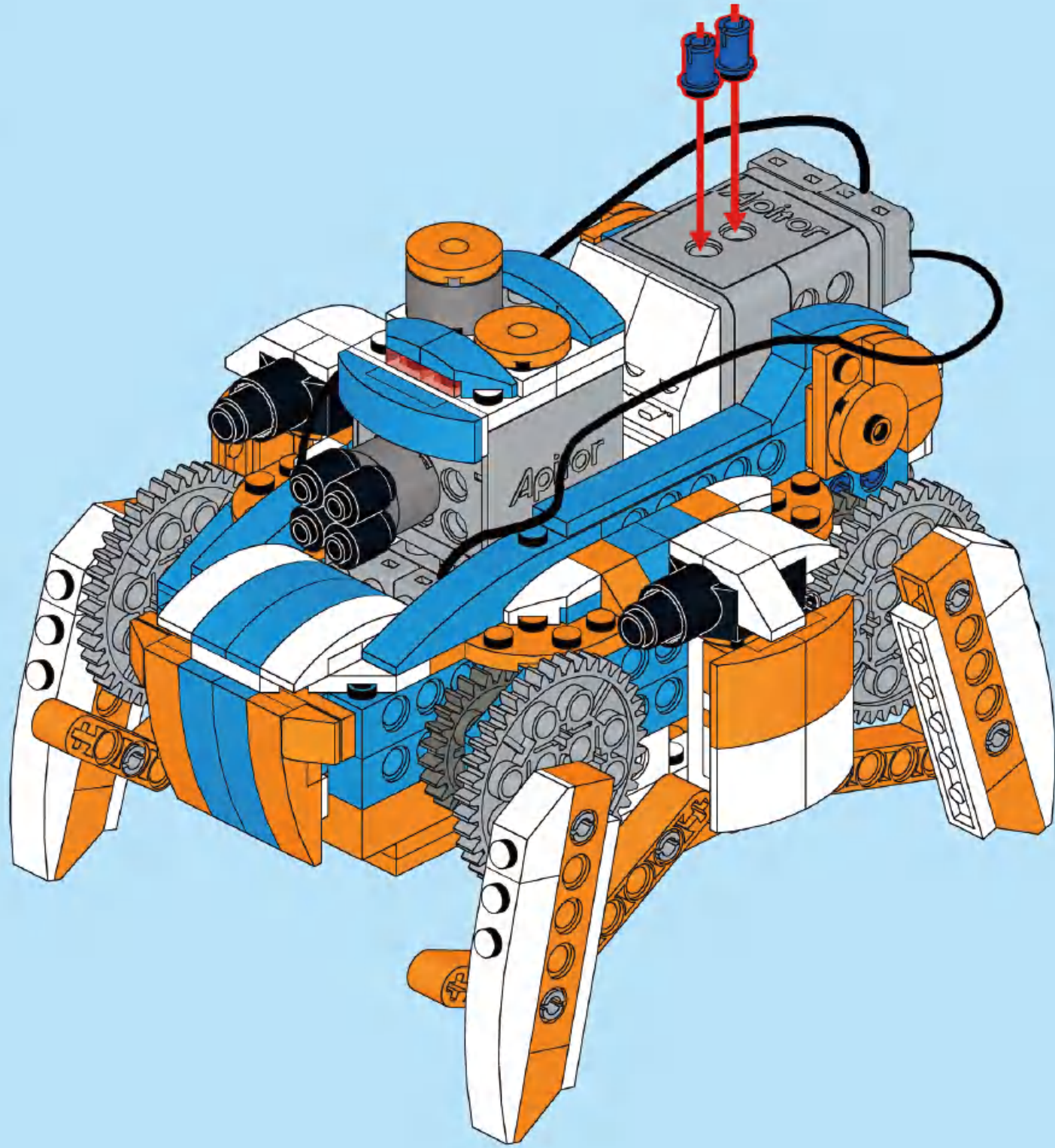
95



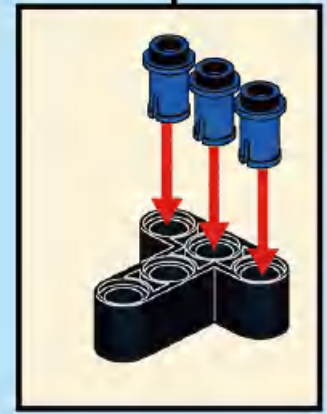
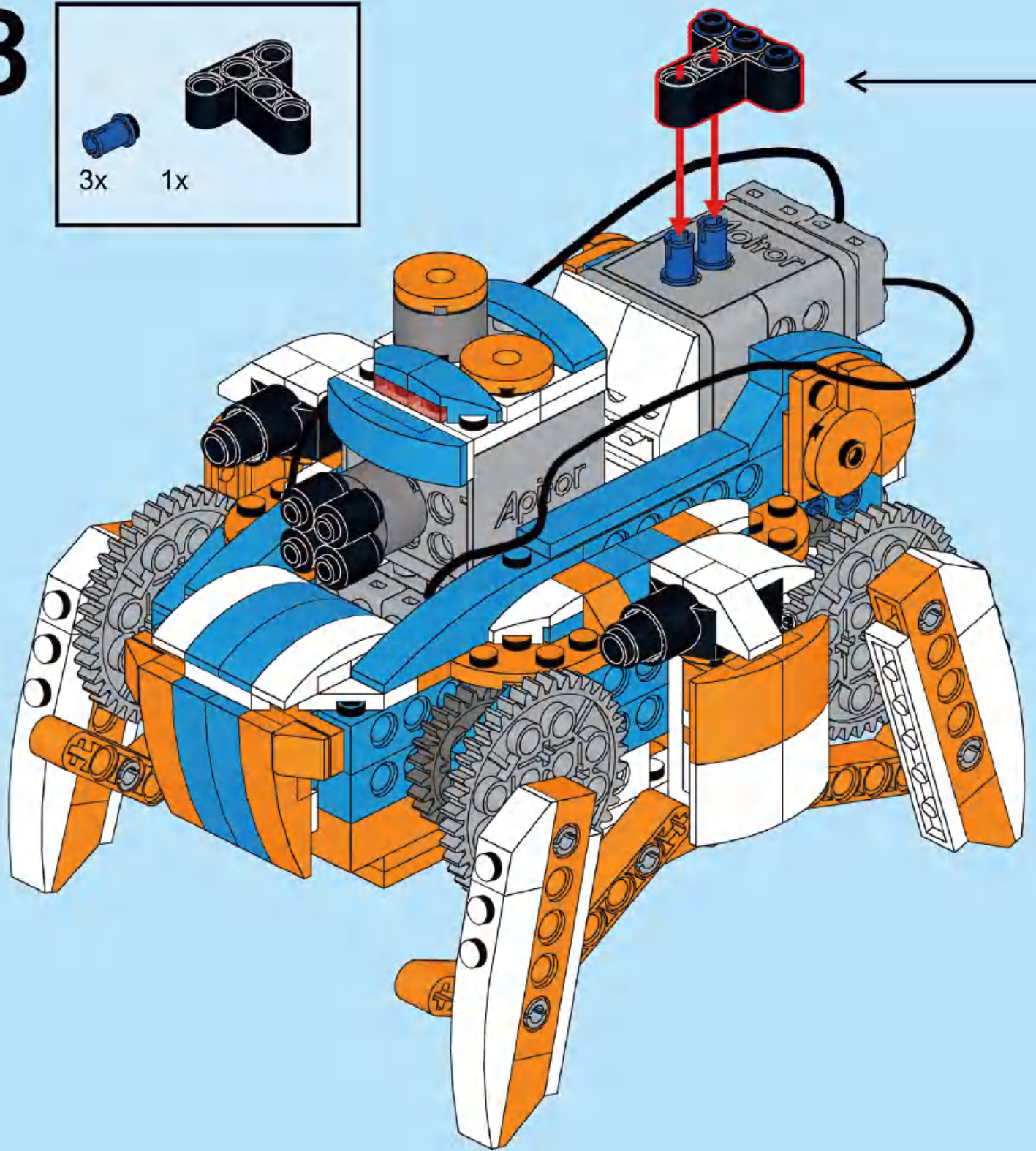
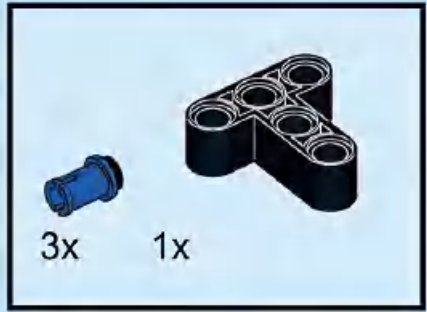
96



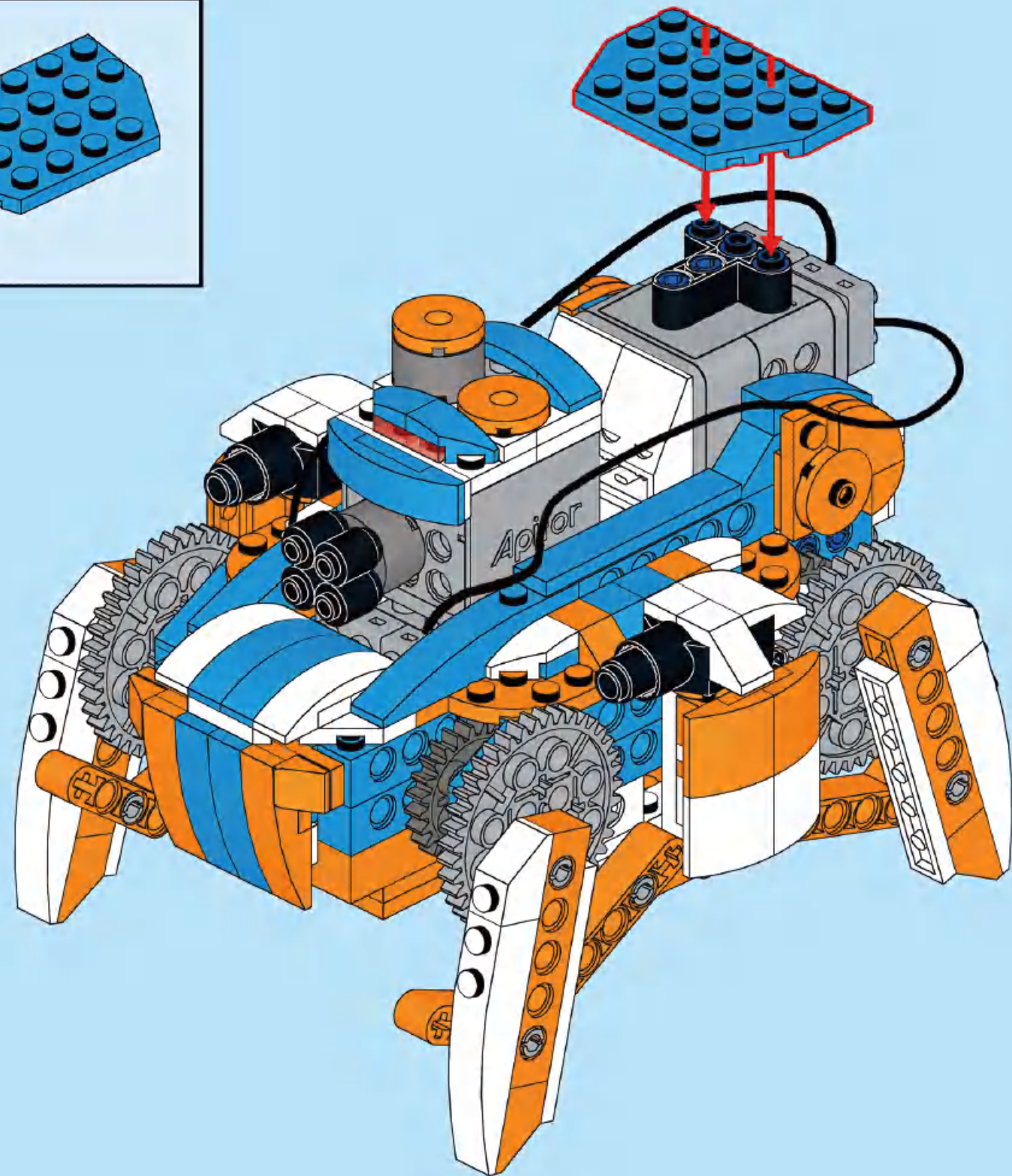
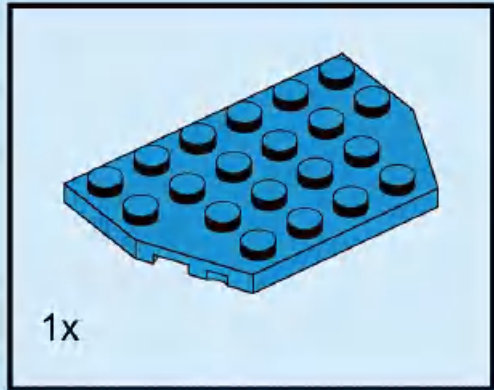
97



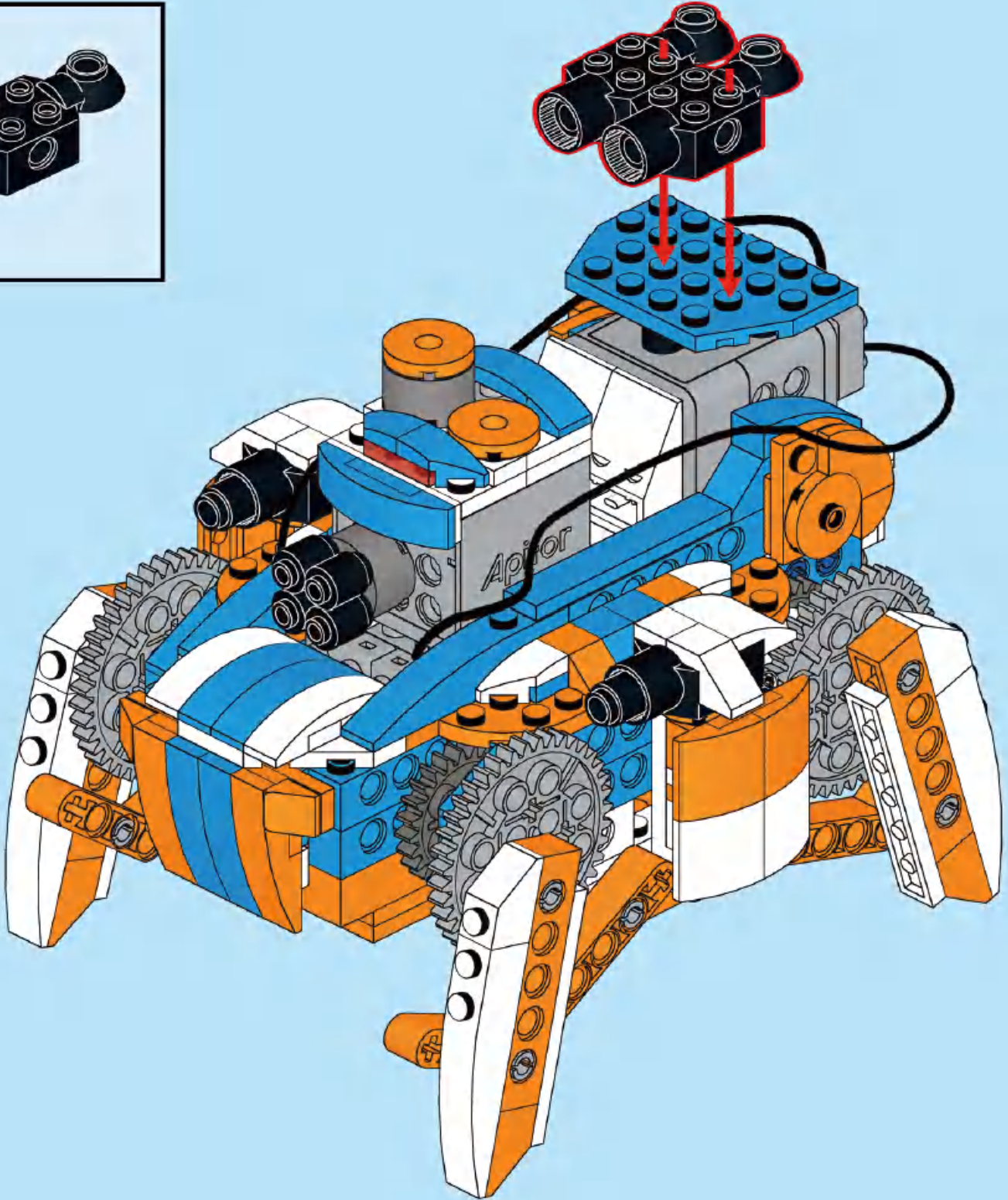
98



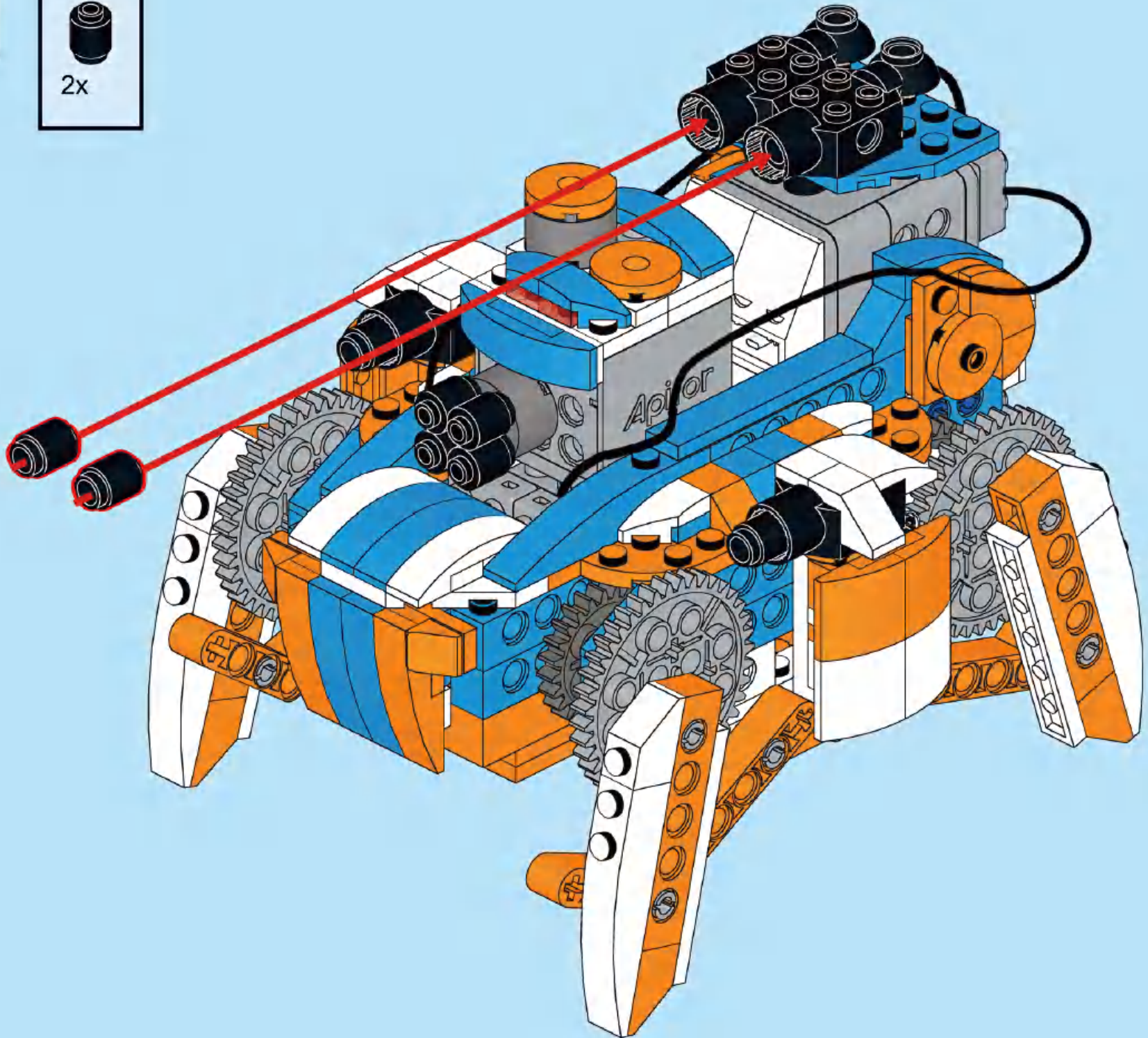
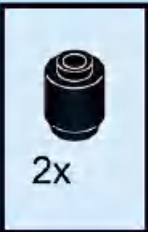
99



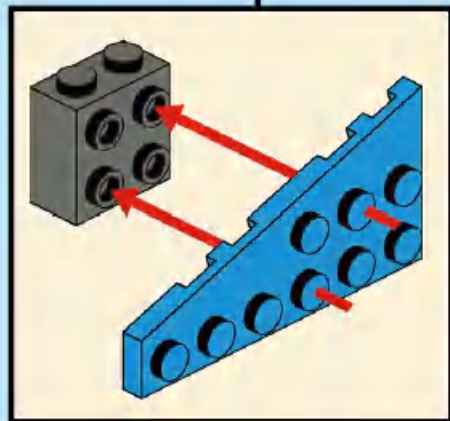
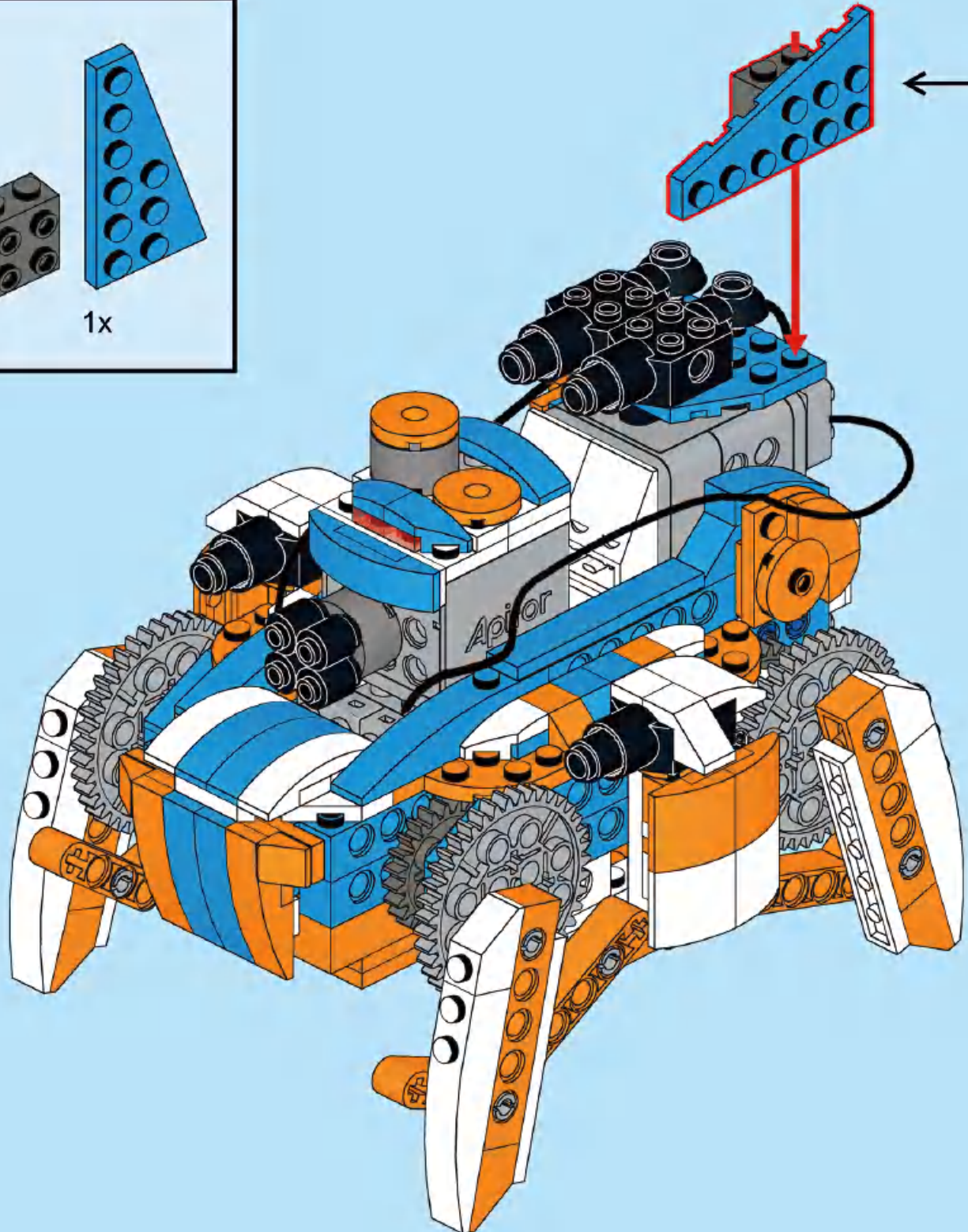
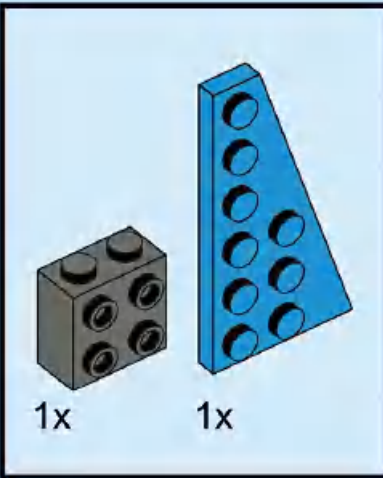
100



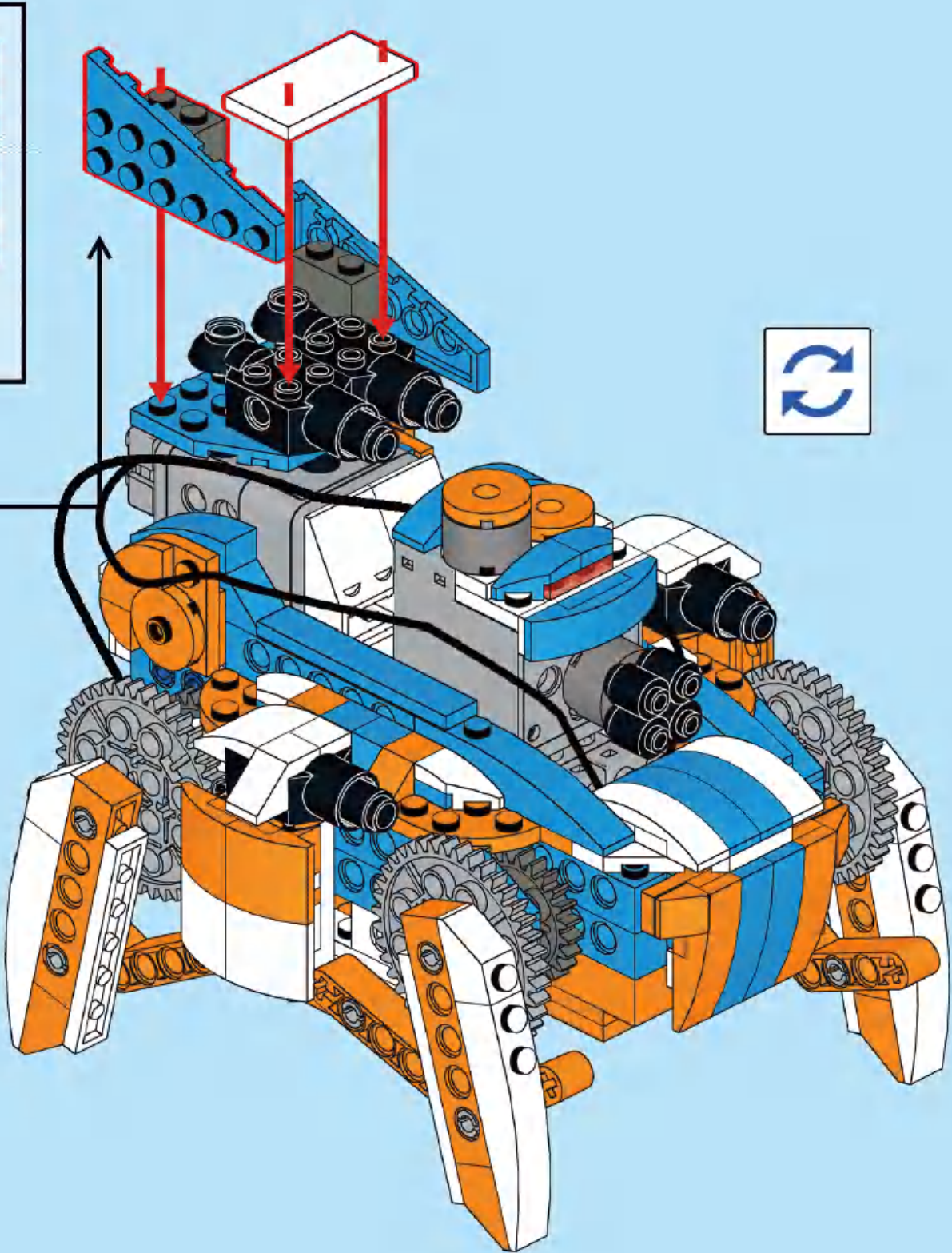
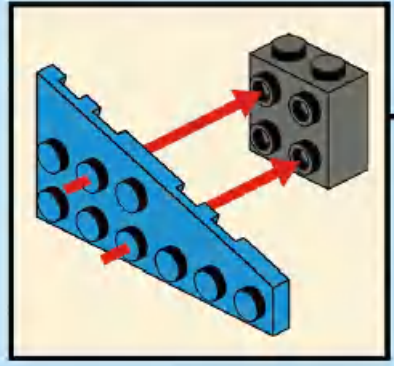
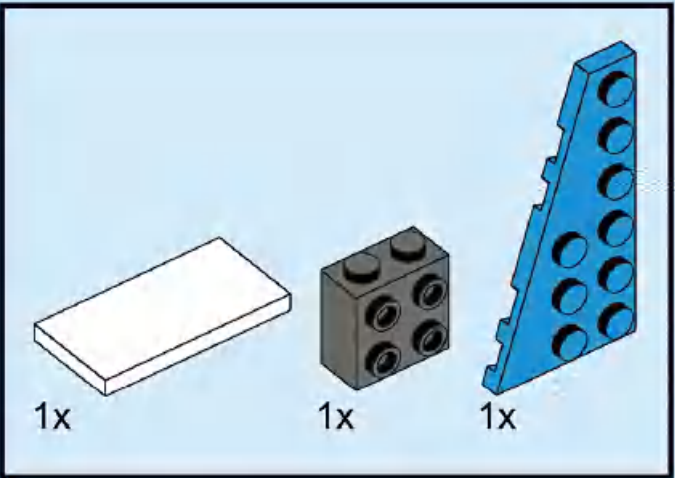
101



102



103



104

